

## CLASS 800 FORGED STEEL BALL VALVE SCREWED ENDS

**KITZ Fig: 800SCTK**

Sizes: 1/4-2inch(8-50mm)

ANTI-STATIC DEVICE, REDUCED BORE

Standards

. End to End: KITZ STANDARD

. End Connection: JIS B0203

. Wall Thickness: BS 5351 CLASS 800

Test Standard

. API 598

Dimensions

SIZE (inch/mm)	L	L1	H	D1	Kg
1/4 8	88.0	44.0	45.0	100.0	0.00
3/8 10					
1/2 15	88.0	44.0	45.0	100.0	0.00
3/4 20					
1 25	105.0	52.5	58.0	115.0	0.00
1 1/4 32	117.0	58.5	65.0	135.0	0.00
1 1/2 40					
2 50	150.0	75.0	80.0	150.0	0.00

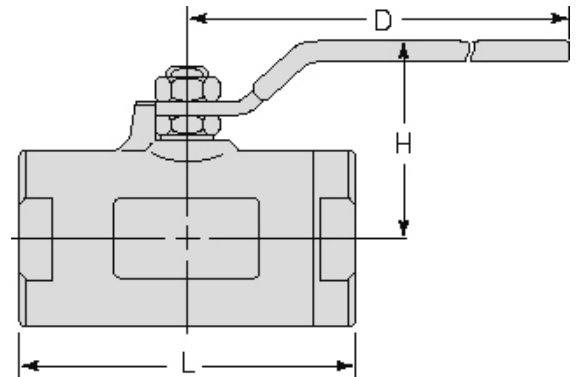
Material List

NAME OF PART	MATERIAL	SPECIFICATION
BODY	CARBON STEEL	A105
BODY CAP	CARBON STEEL	A105
STEM	STAINLESS STEEL	316SS
BALL	STAINLESS STEEL	316SS

Specifications

CLASS 800 FORGED STEEL BALL VALVE SCREWED ENDS, ANTI-STATIC DEVICE, REDUCED BORE

End to End : KITZ STANDARD, End Connection : JIS B0203, Wall Thickness : BS 5351 CLASS 800, Test Standard : API 598, Sizes : 1/4-2inch(8-50mm), BODY MATERIAL : CARBON STEEL, BODY CAP MATERIAL : CARBON STEEL, STEM MATERIAL : STAINLESS STEEL, BALL MATERIAL : STAINLESS STEEL, KITZ Fig : 800SCTK



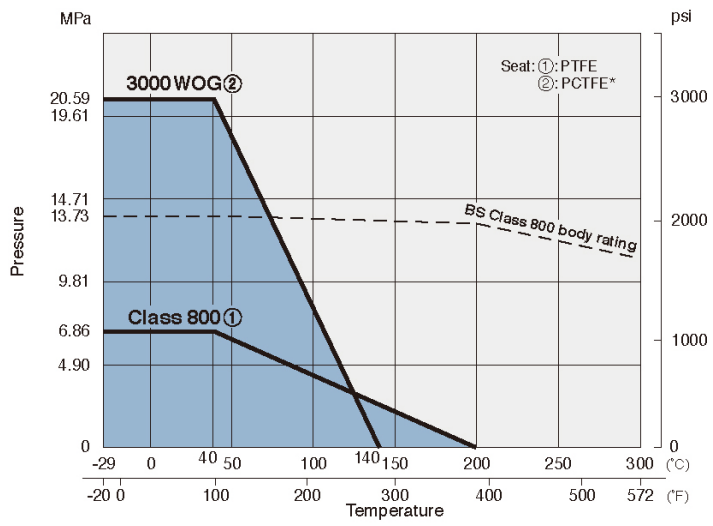
For more details, please refer to the drawing.

Pressure-temperature ratings and other performance data published in this catalog have been developed from our design calculation, in-house testing, field reports provided by our customers and/or published official standards or specifications. They are good only to cover typical applications as a general guideline to users of KITZ products introduced in this catalog. For any specific application, users are kindly requested to contact KITZ Corporation for technical advice, or to carry out their own study and evaluation for proving suitability of these products to such an application. Failure to follow this request could result in property damage and/or personal injury, for which we shall not be liable. Read instruction manual carefully before use.

# KITZ

**KITZ CORPORATION** Tokyo Shiodome Building, 1-9-1, Higashi-Shimbashi, Minato-ku, Tokyo 105-7305, Japan  
© KITZ Corporation. All Right Reserved.

**ISO 9001**  
**CERTIFIED**  
Since 1989



Pressure-temperature ratings and other performance data published in this catalog have been developed from our design calculation, in-house testing, field reports provided by our customers and/or published official standards or specifications. They are good only to cover typical applications as a general guideline to users of KITZ products introduced in this catalog. For any specific application, users are kindly requested to contact KITZ Corporation for technical advice, or to carry out their own study and evaluation for proving suitability of these products to such an application. Failure to follow this request could result in property damage and/or personal injury, for which we shall not be liable. Read instruction manual carefully before use.



**KITZ CORPORATION** Tokyo Shiodome Building, 1-9-1, Higashi-Shimbashi, Minato-ku, Tokyo 105-7305, Japan  
© KITZ Corporation. All Right Reserved.

