

## CLASS 300 CAST STEEL GATE VALVE FLANGED ENDS

### KITZ Fig: 300SCLS

Sizes: 11/2-24inch(40-600mm)

BOLTED BONNET, OUTSIDE SCREW & YOKE.

Standards

. End to End: ASME B16.10 CLASS 300

. End Connection: ASME B16.5 CLASS 300

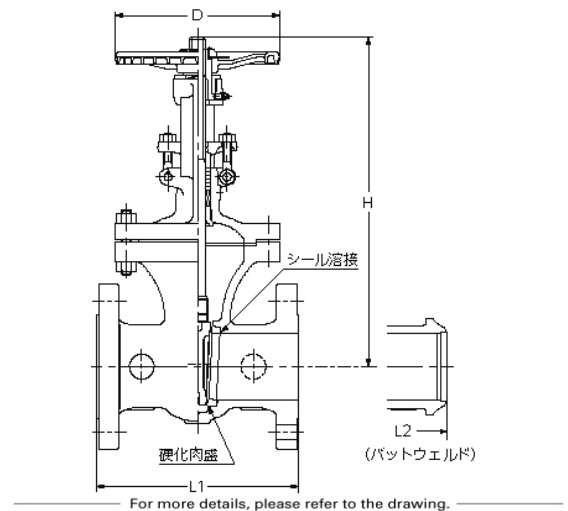
. Wall Thickness: API 600 CLASS 300

Test Standard

. API 598

Dimensions

SIZE (inch/mm)	L	L1	H	D1	Kg	
11/2	40	190.0	0.0	414.0	200.0	0.00
2	50	216.0	0.0	414.0	200.0	0.00
2 1/2	65	241.0	0.0	457.0	200.0	0.00
3	80	283.0	0.0	531.0	250.0	0.00
4	100	305.0	0.0	618.0	250.0	0.00
5	125	381.0	0.0	694.0	300.0	0.00
6	150	403.0	0.0	794.0	350.0	0.00
8	200	419.0	0.0	1013.0	400.0	0.00
10	250	457.0	0.0	1213.0	450.0	0.00
12	300	502.0	0.0	1448.0	600.0	0.00
14	350	762.0	0.0	1563.0	600.0	0.00
16	400	838.0	0.0	1767.0	680.0	0.00
18	450	914.0	0.0	1932.0	680.0	0.00
20	500	991.0	0.0	2187.0	760.0	0.00
24	600	1143.0	0.0	2544.0	910.0	0.00



### Material List

NAME OF PART	MATERIAL	SPECIFICATION
BODY	CAST STEEL	A216 Gr. WCB/SCPH2
BONNET	CAST STEEL	A216 Gr. WCB/SCPH2
STEM	STAINLESS STEEL	403SS
DISC	STAINLESS STEEL	A217 Gr. CA15

### Specifications

CLASS 300 CAST STEEL GATE VALVE FLANGED ENDS, BOLTED BONNET, OUTSIDE SCREW & YOKE.

End to End : ASME B16.10 CLASS 300, End Connection : ASME B16.5

CLASS 300, Wall Thickness : API 600 CLASS 300, Test Standard : API

598, Sizes : 11/2-24inch(40-600mm), BODY MATERIAL : CAST

STEEL, BONNET MATERIAL : CAST STEEL, STEM MATERIAL : STAINLESS

STEEL, DISC MATERIAL : STAINLESS STEEL, KITZ Fig : 300SCLS

Pressure-temperature ratings and other performance data published in this catalog have been developed from our design calculation, in-house testing, field reports provided by our customers and/or published official standards or specifications. They are good only to cover typical applications as a general guideline to users of KITZ products introduced in this catalog. For any specific application, users are kindly requested to contact KITZ Corporation for technical advice, or to carry out their own study and evaluation for proving suitability of these products to such an application. Failure to follow this request could result in property damage and/or personal injury, for which we shall not be liable. Read instruction manual carefully before use.

# KITZ

KITZ CORPORATION Tokyo Shiodome Building, 1-9-1, Higashi-Shimbashi, Minato-ku, Tokyo 105-7305, Japan  
© KITZ Corporation. All Right Reserved.

ISO 9001  
CERTIFIED  
Since 1989