

## 20K CAST STAINLESS STEEL GATE VALVE FLANGED ENDS

KITZ Fig: 20UMA

Sizes: 1/2-24inch(15-600mm)

BOLTED BONNET, OUTSIDE SCREW & YOKE.

Standards

. End to End: ASME B16.10 CLASS 300

. End Connection: JIS B2220 20K

. Wall Thickness: ASME B16.34 CLASS 300

Test Standard

. KITZ STANDARD

Approvals

Japan Valve Manufacturer's Association 15-600 mm (1/2-24 inch)  
approved

Dimensions

SIZE (inch/mm)	L	L1	H	D1	Kg	
1/2	15	140.0	0.0	209.0	100.0	0.00
3/4	20	152.0	0.0	220.0	100.0	0.00
1	25	165.0	0.0	239.0	100.0	0.00
1 1/2	40	190.0	0.0	293.0	140.0	0.00
2	50	216.0	0.0	355.0	180.0	0.00
2 1/2	65	241.0	0.0	404.0	180.0	0.00
3	80	283.0	0.0	472.0	225.0	0.00
4	100	305.0	0.0	560.0	250.0	0.00
5	125	381.0	0.0	625.0	300.0	0.00
6	150	403.0	0.0	753.0	350.0	0.00
8	200	419.0	0.0	968.0	400.0	0.00
10	250	457.0	0.0	1177.0	450.0	0.00
12	300	502.0	0.0	1376.0	500.0	0.00
14	350					
16	400					
18	450					
20	500					
24	600					

Material List

NAME OF PART	MATERIAL	SPECIFICATION
BODY	STAINLESS STEEL	A351 Gr. CF8/SCS13A
BONNET	STAINLESS STEEL	A351 Gr. CF8/SCS13A
STEM	STAINLESS STEEL	304SS
DISC	STAINLESS STEEL	A351 Gr. CF8/SCS13A

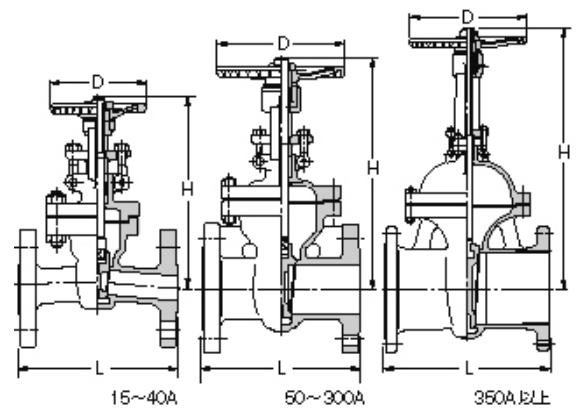
Specifications

20K CAST STAINLESS STEEL GATE VALVE FLANGED ENDS, BOLTED BONNET,  
OUTSIDE SCREW & YOKE.

End to End : ASME B16.10 CLASS 300, End Connection : JIS B2220  
20K, Wall Thickness : ASME B16.34 CLASS 300, Test Standard : KITZ  
STANDARD, Sizes : 1/2-24inch(15-600mm), Approvals : Japan Valve  
Manufacturer's Association 15-600 mm (1/2-24 inch), BODY MATERIAL



JV



For more details, please refer to the drawing.

Pressure-temperature ratings and other performance data published in this catalog have been developed from our design calculation, in-house testing, field reports provided by our customers and/or published official standards or specifications. They are good only to cover typical applications as a general guideline to users of KITZ products introduced in this catalog. For any specific application, users are kindly requested to contact KITZ Corporation for technical advice, or to carry out their own study and evaluation for proving suitability of these products to such an application. Failure to follow this request could result in property damage and/or personal injury, for which we shall not be liable. Read instruction manual carefully before use.

**KITZ**

KITZ CORPORATION Tokyo Shiodome Building, 1-9-1, Higashi-Shimbashi, Minato-ku, Tokyo 105-7305, Japan  
© KITZ Corporation. All Right Reserved.

ISO 9001  
CERTIFIED  
Since 1989

:STAINLESS STEEL, BONNETMATERIAL :STAINLESS STEEL, STEMMATERIAL  
 :STAINLESS STEEL, DISCMATERIAL :STAINLESS STEEL, KITZ Fig : 20UMA

●Aシリーズ・HAシリーズ・AJシリーズ(JIS B 2220-2004) 単位:MPa

許容圧力 使用温度(°C)	10K				20K			
	SCS13A	SCS14A	SCS16A	SCS19A	SCS13A	SCS14A	SCS16A	SCS19A
~120	1.4	1.4	1.4	1.4	3.4	3.4	3.4	3.4
220	1.2	1.2	1.2	1.2	3.1	3.1	3.1	3.1
300	1.0	1.0	1.0	1.0	2.9	2.9	2.9	2.9
350	—	—	—	—	2.6	2.6	2.6	2.6
400	—	—	—	—	2.3	2.3	2.3	2.3
420	—	—	—	—	2.0	2.0	2.0	2.0

**注意**

- ガスケットおよびパッキン材料によって最高使用温度は変わります。上表に示しています材料ごとの最高使用温度をご確認ください。
- AJシリーズはガスケットの最高使用温度/圧力は260°C/1.0MPaです。これ以上での使用の場合はお問合せください。

Pressure-temperature ratings and other performance data published in this catalog have been developed from our design calculation, in-house testing, field reports provided by our customers and/or published official standards or specifications. They are good only to cover typical applications as a general guideline to users of KITZ products introduced in this catalog. For any specific application, users are kindly requested to contact KITZ Corporation for technical advice, or to carry out their own study and evaluation for proving suitability of these products to such an application. Failure to follow this request could result in property damage and/or personal injury, for which we shall not be liable. Read instruction manual carefully before use.



**KITZ CORPORATION** Tokyo Shiodome Building, 1-9-1, Higashi-Shimbashi, Minato-ku, Tokyo 105-7305, Japan  
 © KITZ Corporation. All Right Reserved.

