

## CLASS 125 CAST IRON GLOBE VALVE FLANGED ENDS

KITZ Fig: 125FCJ

Sizes: 2-8inch(50-200mm)

BOLTED BONNET, OUTSIDE SCREW & YOKE, FLAT FACE FLANGED ENDS.

Standards

- . End to End: ASME B16.10 CLASS 125
- . End Connection: ASME B16.1 CLASS 125
- . Wall Thickness: KITZ STANDARD

Test Standard

- . KITZ STANDARD

Dimensions

SIZE (inch/mm)	L	L1	H	D1	Kg
2 50	203.0	0.0	274.0	180.0	0.00
2 1/2 65	216.0	0.0	301.0	180.0	0.00
3 80	241.0	0.0	353.0	225.0	0.00
4 100	292.0	0.0	403.0	280.0	0.00
5 125	330.0	0.0	465.0	300.0	0.00
6 150	356.0	0.0	531.0	350.0	0.00
8 200	495.0	0.0	618.0	450.0	0.00

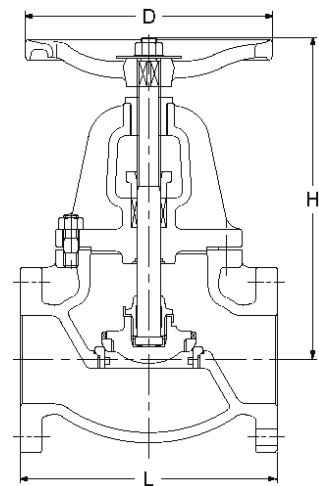
Material List

NAME OF PART	MATERIAL	SPECIFICATION
BODY	CAST IRON	FC200
BONNET	CAST IRON	FC200
STEM	FORGED BRASS	C3771
DISC	CAST IRON	FC200

Specifications

CLASS 125 CAST IRON GLOBE VALVE FLANGED ENDS, BOLTED BONNET, OUTSIDE SCREW & YOKE, FLAT FACE FLANGED ENDS.

End to End : ASME B16.10 CLASS 125, End Connection : ASME B16.1 CLASS 125, Wall Thickness : KITZ STANDARD, Test Standard : KITZ STANDARD, Sizes : 2-8inch(50-200mm), BODY MATERIAL : CAST IRON, BONNET MATERIAL : CAST IRON, STEM MATERIAL : FORGED BRASS, DISC MATERIAL : CAST IRON, KITZ Fig : 125FCJ



For more details, please refer to the drawing.

Pressure-temperature ratings and other performance data published in this catalog have been developed from our design calculation, in-house testing, field reports provided by our customers and/or published official standards or specifications. They are good only to cover typical applications as a general guideline to users of KITZ products introduced in this catalog. For any specific application, users are kindly requested to contact KITZ Corporation for technical advice, or to carry out their own study and evaluation for proving suitability of these products to such an application. Failure to follow this request could result in property damage and/or personal injury, for which we shall not be liable. Read instruction manual carefully before use.

# KITZ

KITZ CORPORATION Tokyo Shiodome Building, 1-9-1, Higashi-Shimbashi, Minato-ku, Tokyo 105-7305, Japan  
© KITZ Corporation. All Right Reserved.

ISO 9001  
CERTIFIED  
Since 1989