

# 10K CAST STAINLESS STEEL Y TYPE STRAINER FLANGED ENDS

KITZ Fig: 10UYA

Sizes: 21/2-12inch(65-300mm)

40 MESH SCREEN

Standards

. End to End: KITZ STANDARD

. End Connection: JIS B2220 10K

. Wall Thickness: KITZ STANDARD

Test Standard

. KITZ STANDARD

Conform to

MLIT, JV 65-300 mm (21/2-12 inch)

approved

Dimensions

SIZE (inch/mm)	L	L1	H	D1	Kg
21/2 65	270.0	0.0	154.0	0.0	0.00
3 80	290.0	0.0	189.0	0.0	0.00
4 100	350.0	0.0	227.0	0.0	0.00
5 125	390.0	0.0	268.0	0.0	0.00
6 150	440.0	0.0	316.0	0.0	0.00
8 200	540.0	0.0	384.0	0.0	0.00
10 250	760.0	0.0	536.0	0.0	0.00
12 300	870.0	0.0	637.0	0.0	0.00

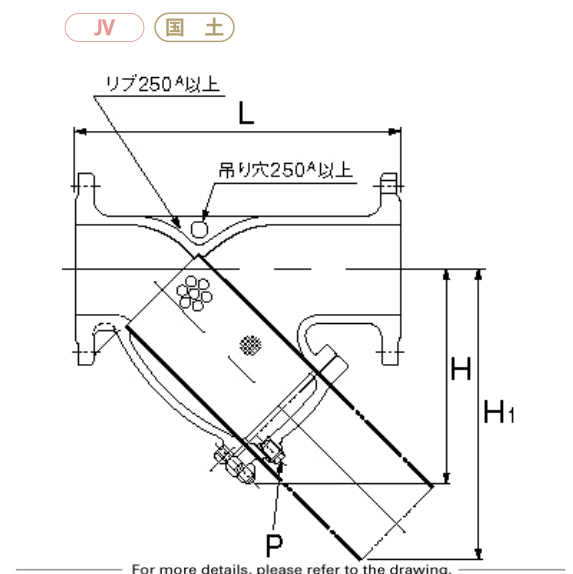
Material List

NAME OF PART	MATERIAL	SPECIFICATION
BODY	STAINLESS STEEL	A351 Gr. CF8/SCS13A
COVER	STAINLESS STEEL	A351 Gr. CF8/SCS13A

Specifications

10K CAST STAINLESS STEEL Y TYPE STRAINER FLANGED ENDS, 40 MESH SCREEN

End to End : KITZ STANDARD, End Connection : JIS B2220 10K, Wall Thickness : KITZ STANDARD, Test Standard : KITZ STANDARD, Sizes : 21/2-12inch(65-300mm), Conform to : MLIT, JV 65-300 mm (21/2-12 inch), BODY MATERIAL : STAINLESS STEEL, COVER MATERIAL : STAINLESS STEEL, KITZ Fig : 10UYA



For more details, please refer to the drawing.

Pressure-temperature ratings and other performance data published in this catalog have been developed from our design calculation, in-house testing, field reports provided by our customers and/or published official standards or specifications. They are good only to cover typical applications as a general guideline to users of KITZ products introduced in this catalog. For any specific application, users are kindly requested to contact KITZ Corporation for technical advice, or to carry out their own study and evaluation for proving suitability of these products to such an application. Failure to follow this request could result in property damage and/or personal injury, for which we shall not be liable. Read instruction manual carefully before use.

# KITZ

KITZ CORPORATION Tokyo Shiodome Building, 1-9-1, Higashi-Shimbashi, Minato-ku, Tokyo 105-7305, Japan  
© KITZ Corporation. All Right Reserved.

ISO 9001  
CERTIFIED  
Since 1989