

10K CAST IRON SWING CHECK VALVE FLANGED ENDS

KITZ Fig: 10FCOS

Sizes: 11/2-14inch(40-350mm)

BOLTED COVER, FLAT FACE FLANGED ENDS.

Standards

. End to End: JIS B2031

. End Connection: JIS B2239 10K

. Wall Thickness: JIS B2031

Test Standard

. KITZ STANDARD

Approvals

Lead Free, JIS Product Certification 40-350 mm (11/2-14 inch)
approved

Dimensions

SIZE (inch/mm)	L	L1	H	D1	Kg
11/2 40	190.0	0.0	108.0	0.0	0.00
2 50	200.0	0.0	113.0	0.0	0.00
2 1/2 65	220.0	0.0	123.0	0.0	0.00
3 80	240.0	0.0	145.0	0.0	0.00
4 100	290.0	0.0	165.0	0.0	0.00
5 125	360.0	0.0	207.0	0.0	0.00
6 150	410.0	0.0	225.0	0.0	0.00
8 200	500.0	0.0	271.0	0.0	0.00
10 250	620.0	0.0	319.0	0.0	0.00
12 300	700.0	0.0	356.0	0.0	0.00
14 350	787.0	0.0	381.0	0.0	0.00

Material List

NAME OF PART	MATERIAL	SPECIFICATION
BODY	CAST IRON	FC200
COVER	CAST IRON	FC200
DISC	STAINLESS STEEL	FC200

Specifications

10K CAST IRON SWING CHECK VALVE FLANGED ENDS, BOLTED COVER, FLAT FACE FLANGED ENDS.

End to End : JIS B2031, End Connection : JIS B2239 10K, Wall

Thickness : JIS B2031, Test Standard : KITZ STANDARD, Sizes :

11/2-14inch(40-350mm), Approvals : Lead Free, JIS Product

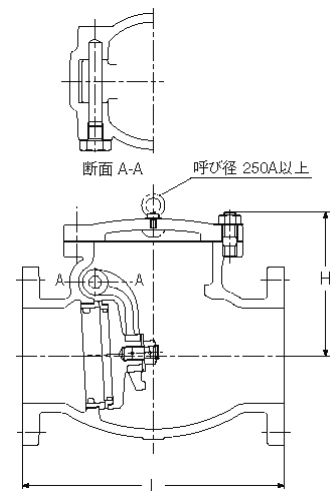
Certification 40-350 mm (11/2-14 inch), BODY MATERIAL : CAST

IRON, COVER MATERIAL : CAST IRON, DISC MATERIAL : STAINLESS STEEL, KITZ

Fig : 10FCOS



水



For more details, please refer to the drawing.

Pressure-temperature ratings and other performance data published in this catalog have been developed from our design calculation, in-house testing, field reports provided by our customers and/or published official standards or specifications. They are good only to cover typical applications as a general guideline to users of KITZ products introduced in this catalog. For any specific application, users are kindly requested to contact KITZ Corporation for technical advice, or to carry out their own study and evaluation for proving suitability of these products to such an application. Failure to follow this request could result in property damage and/or personal injury, for which we shall not be liable. Read instruction manual carefully before use.

KITZ

KITZ CORPORATION Tokyo Shiodome Building, 1-9-1, Higashi-Shimbashi, Minato-ku, Tokyo 105-7305, Japan
© KITZ Corporation. All Right Reserved.

ISO 9001
CERTIFIED
Since 1989