

10K DUCTILE IRON WAFER TYPE BUTTERFLY VALVE

KITZ Fig: 10DJUE

Sizes: 11/2-6inch(40-150mm)

LEVER OPERATED.

Standards

- . End to End: JIS B2002
- . End Connection: WAFER TYPE (JIS 5K/10K)
- . Wall Thickness: KITZ STANDARD

Test Standard

- . KITZ STANDARD

Dimensions

SIZE (inch/mm)	L	L1	H	D1	Kg
11/2 40	33.0	0.0	172.0	180.0	0.00
2 50	43.0	0.0	189.0	180.0	0.00
2 1/2 65	46.0	0.0	199.0	180.0	0.00
3 80	46.0	0.0	217.0	180.0	0.00
4 100	52.0	0.0	227.0	180.0	0.00
5 125	56.0	0.0	265.0	230.0	0.00
6 150	56.0	0.0	277.0	230.0	0.00

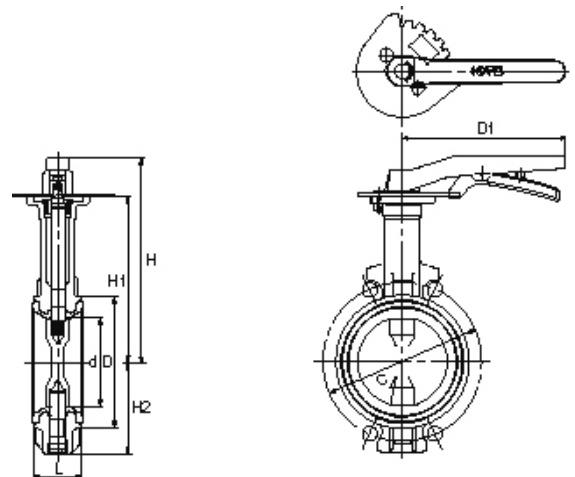
Material List

NAME OF PART	MATERIAL	SPECIFICATION
BODY	DUCTILE IRON+EPDM	FCD450-10+EPDM
STEM	STAINLESS STEEL	SUS410
SEAT RUBBER	EPDM	-

Specifications

10K DUCTILE IRON WAFER TYPE BUTTERFLY VALVE, LEVER OPERATED.

End to End : JIS B2002, End Connection : WAFER TYPE (JIS 5K/10K), Wall Thickness : KITZ STANDARD, Test Standard : KITZ STANDARD, Sizes : 11/2-6inch(40-150mm), BODY MATERIAL : DUCTILE IRON+EPDM, STEM MATERIAL : STAINLESS STEEL, SEAT RUBBER MATERIAL : EPDM, KITZ Fig : 10DJUE



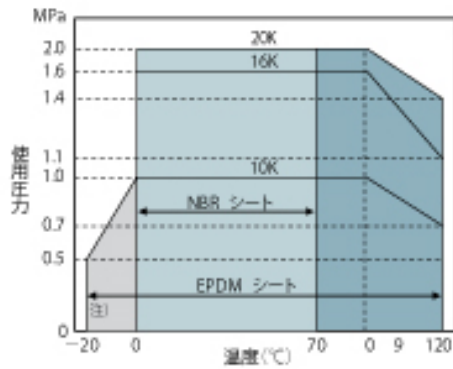
For more details, please refer to the drawing.

Pressure-temperature ratings and other performance data published in this catalog have been developed from our design calculation, in-house testing, field reports provided by our customers and/or published official standards or specifications. They are good only to cover typical applications as a general guideline to users of KITZ products introduced in this catalog. For any specific application, users are kindly requested to contact KITZ Corporation for technical advice, or to carry out their own study and evaluation for proving suitability of these products to such an application. Failure to follow this request could result in property damage and/or personal injury, for which we shall not be liable. Read instruction manual carefully before use.

KITZ

KITZ CORPORATION Tokyo Shiodome Building, 1-9-1, Higashi-Shimbashi, Minato-ku, Tokyo 105-7305, Japan
© KITZ Corporation. All Right Reserved.

ISO 9001
CERTIFIED
Since 1989



Pressure-temperature ratings and other performance data published in this catalog have been developed from our design calculation, in-house testing, field reports provided by our customers and/or published official standards or specifications. They are good only to cover typical applications as a general guideline to users of KITZ products introduced in this catalog. For any specific application, users are kindly requested to contact KITZ Corporation for technical advice, or to carry out their own study and evaluation for proving suitability of these products to such an application. Failure to follow this request could result in property damage and/or personal injury, for which we shall not be liable. Read instruction manual carefully before use.



KITZ CORPORATION Tokyo Shiodome Building, 1-9-1, Higashi-Shimbashi, Minato-ku, Tokyo 105-7305, Japan
© KITZ Corporation. All Right Reserved.

