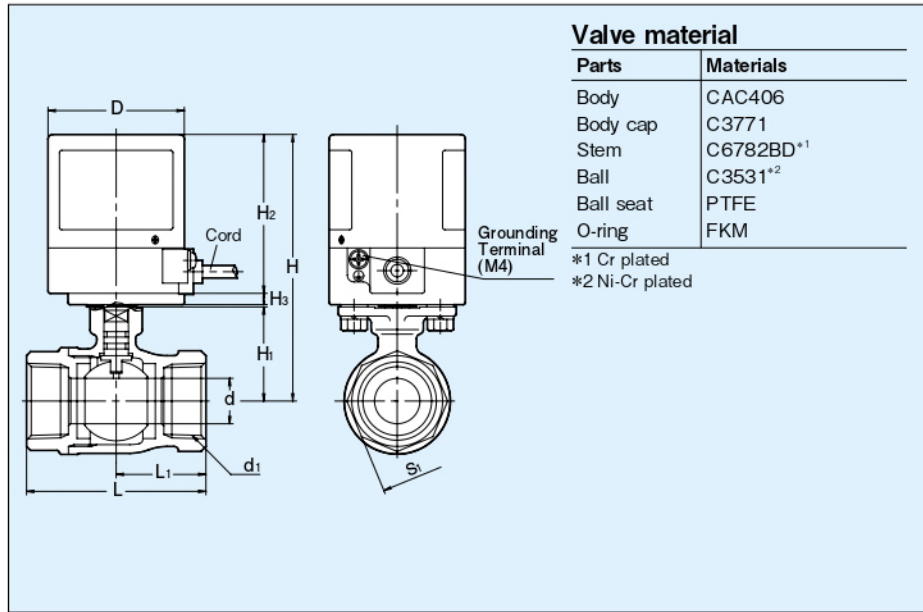


Type EA Electric Actuators/Class 10K Bronze Ball Valves

Fig. EA100/200-TE

Actuator size: 1 and 1.5
Valve size: 3/8" to 1" (Standard bore)



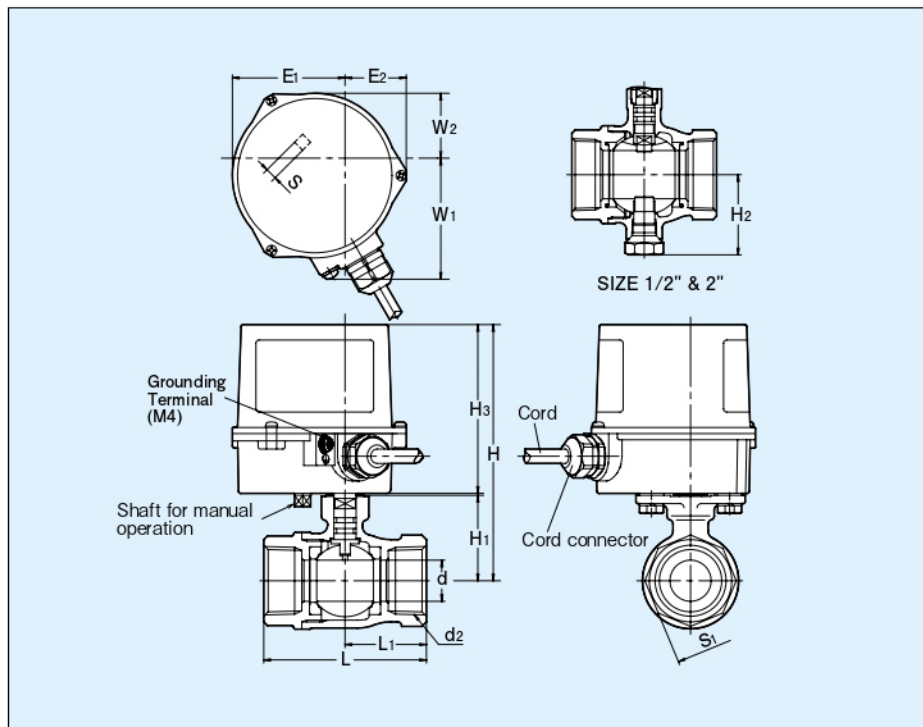
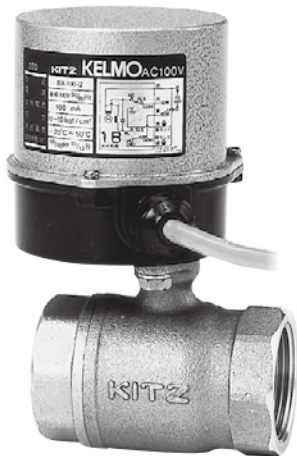
Dimensions

(mm)

Valve Size (inch)	d	d ₁	H	H ₁	L	L ₁	S ₁	Actuator			
								H ₂	H ₃	D	Type
3/8	7.5	Rc3/8	104	28	46	22	22	70	5	60	EA100/200-1
1/2	10	Rc1/2	109.5	33.5	65	32.5	28				EA100/200-1.5
3/4	15	Rc3/4	113.5	37.5	68	34	34				
1	20	Rc1	117.5	41.5	79	39.5	41				

Fig. EA100/200-TE

Actuator size: 2
Valve size: 1/4" to 2" (Standard bore)



Dimensions

(mm)

Valve Size (inch)	d	d ₁	H	H ₁	H ₂	L	L ₁	S ₁	Actuator						
									H ₃	E ₁	E ₂	W ₁	W ₂	S	Type
1/4	25	Rc1/4	128.5	45.5	—	86	43	50	82	54.5	30	59	31.5	5.5	EA100/200-2
1/2	32	Rc1/2	142.5	59.5	53.5	96	48	56							
2	40	Rc2	148.5	65.5	60	109	54.5	68							