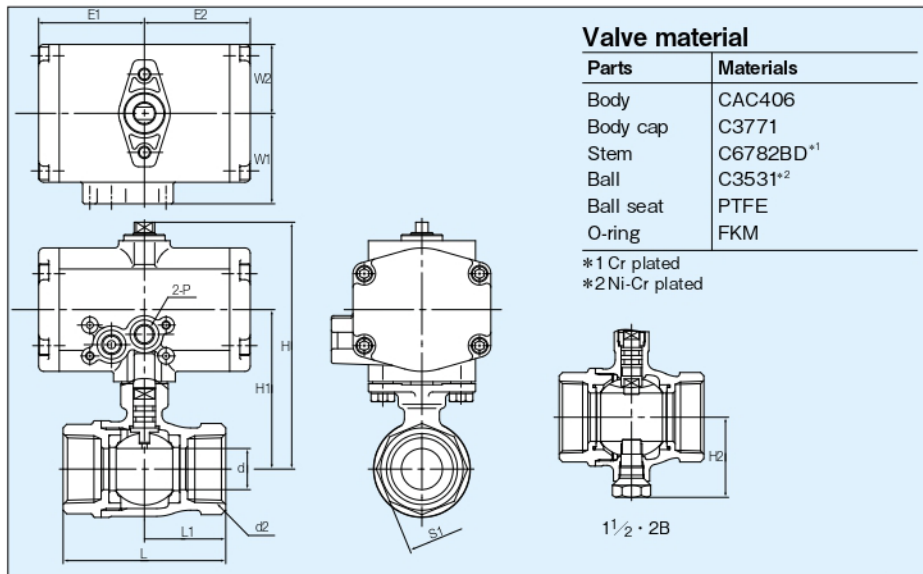


# Type C Pneumatic Actuators/Class 10K Bronze Ball Valves

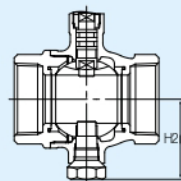
Fig. C-TE  
(Standard bore)



## Valve material

Parts	Materials
Body	CAC406
Body cap	C3771
Stem	C6782BD*1
Ball	C3531*2
Ball seat	PTFE
O-ring	FKM

\*1 Cr plated  
\*2 Ni-Cr plated



1 1/2 · 2B

(mm)

## Dimensions

Valve Size (inch)	d	d <sub>2</sub>	H	H <sub>1</sub>	H <sub>2</sub>	L	L <sub>1</sub>	S <sub>1</sub>	Actuators					
									E <sub>1</sub>	E <sub>2</sub>	W <sub>1</sub>	W <sub>2</sub>	P	Type
3/8	7.5	Rc3/8	87.5	56	—	46	22	22	43	43	34.5	26	Rc1/8	C-1
1/2	10	Rc1/2	93.5	62	—	65	32.5	28						
3/4	15	Rc3/4	97.5	66	—	68	34	34						
1	20	Rc1	101.5	70	—	79	39.5	41	51.4	51.4	44	33.5	Rc1/8	C-2
1 1/4	25	Rc1 1/4	124.5	82	—	86	43	50						
1 1/2	32	Rc1 1/2	137.5	95	53.5	96	48	56						
2	40	Rc2	144.5	102	60	109	54.5	68						