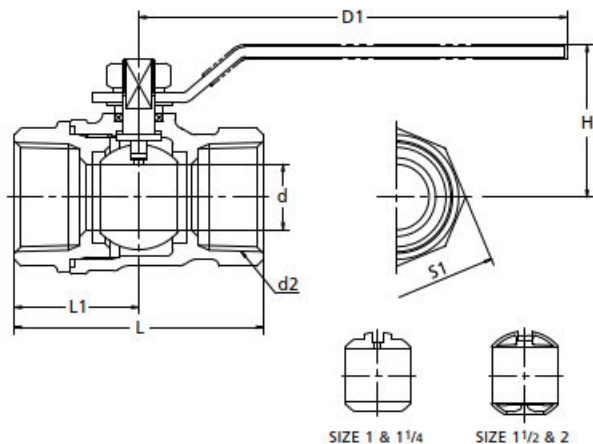
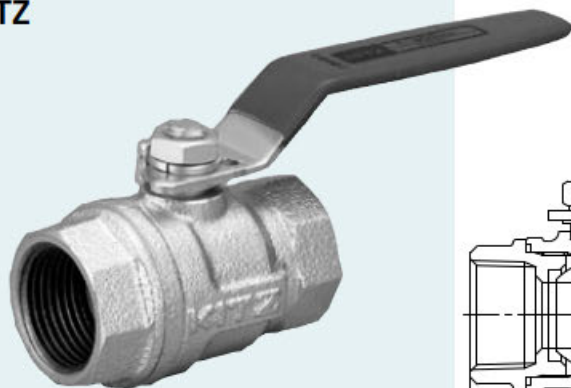


# Class 400 Ball Valve Reduced Bore

STZ



E-E dimension : KITZ Std.  
End threads : JIS B 0203

W.O.G. at Room temp ..... 2.75MPa  
Saturated steam ..... 0.98MPa

● Use for lubricating or hydraulic oil is acceptable.

## Materials

Parts	JIS material
Body	FCD-S
Cap	FCD-S
Ball	C3771BE * <sup>1</sup>
Stem	Dezincification Resistant Brass * <sup>1</sup>
Gland packing	PTFE
Ball seat	G/F PTFE
Gland	C3604BD * <sup>2</sup>
Gasket	PTFE
Handle nut	SS400 * <sup>3</sup>
Handle	SUS430 * <sup>4</sup>

\*<sup>1</sup> Ni + Cr Electroplated

\*<sup>2</sup> Zinc Electroplated

\*<sup>3</sup> Zinc Dichromate Electroplated

\*<sup>4</sup> Plastic covering

## Dimensions

Size	mm	8	10	15	20	25	32	40	50	mm
	inch	1/2	3/8	1/2	3/4	1	1 1/4	1 1/2	2	
L		46	51	57	65	76	86	95	115	
H		38	38	42	49	52	57	63	68	
D		80	80	100	130	130	130	130	150	