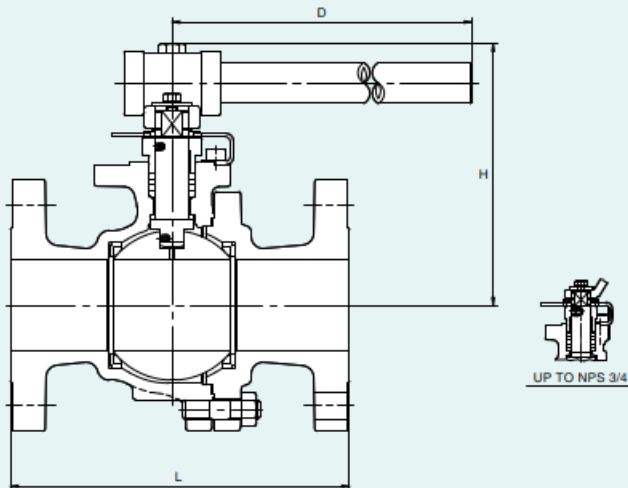
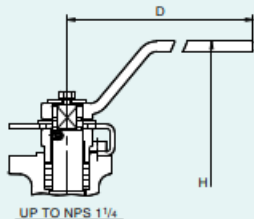


300/20UTDZ3H(M)
300/20SCTDZ3H



Page 109 for Pressure-Temperature Ratings.

Dimensions of 300UTDZ3H(M), 300SCTDZ3H

Unit: mm

Nominal Size	NPS	1/2	3/4	1	1 1/4*	1 1/2	2	2 1/2	3	4	5	6	8
	DM	15	20	25	32	40	50	65	80	100	125	150	200
L		140	152	165	178	190	216	241	283	305	381	403	502
H		108	111	124	128	139	148	209	219	Gear operation	Gear operation	Gear operation	Gear operation
D		130	130	160	160	600	600	1000	1000	Gear operation	Gear operation	Gear operation	Gear operation

Valve operator

NPS 1/2 to 3: Lever operation

NPS 4 to 8: Standard gear operation