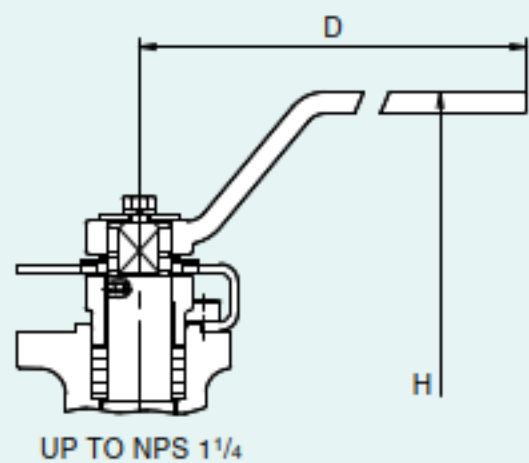
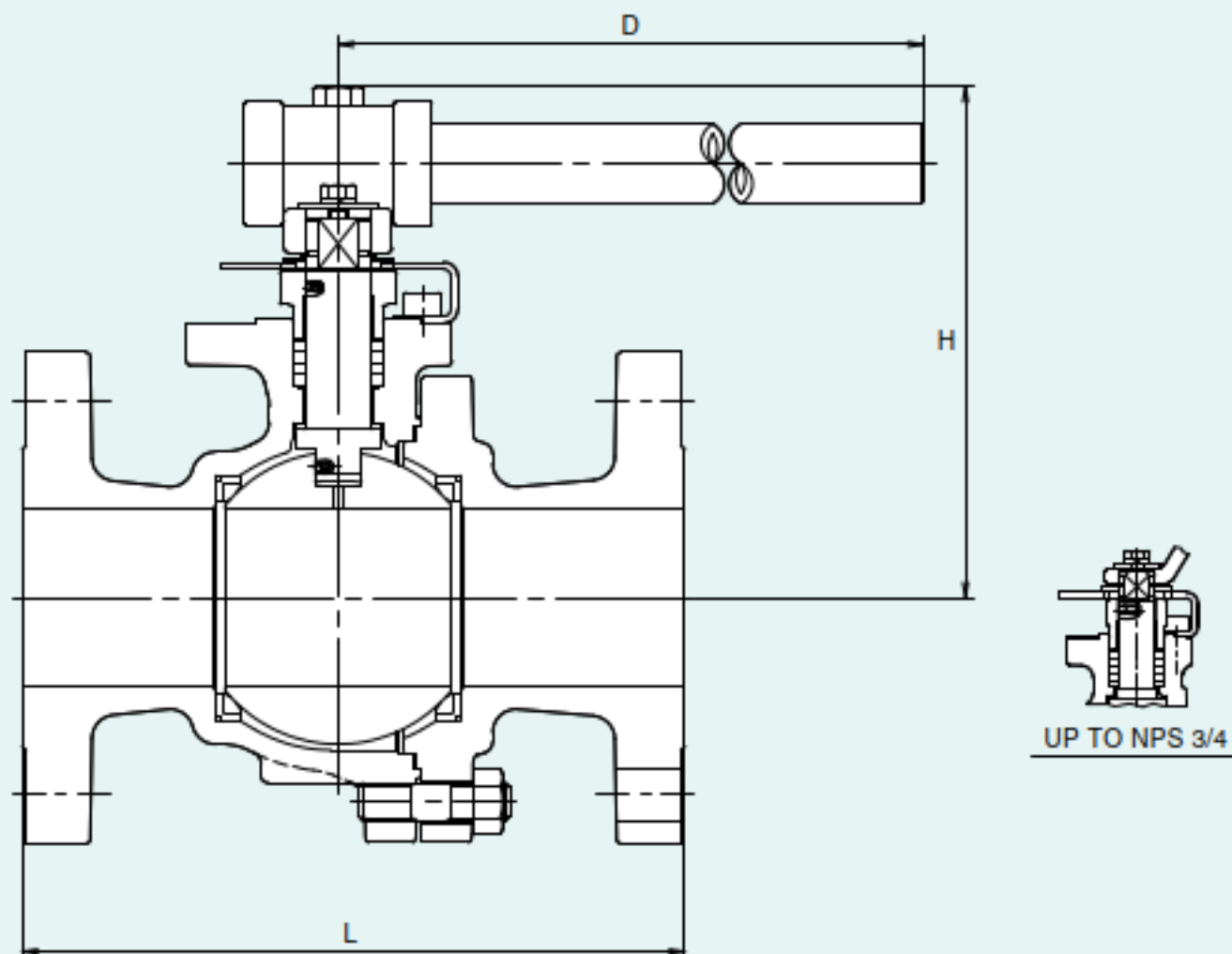


**300/20UTDZ3H(M)**  
**300/20SCTDZ3H**



Page 109 for Pressure-Temperature Ratings.



**Dimensions of 20UTDZ3H(M), 20SCTDZ3H**

Unit: mm

Nominal Size	NPS	1/2	3/4	1	1 1/4*	1 1/2	2	2 1/2	3	4	5	6	8
	DM	15	20	25	32	40	50	65	80	100	125	150	200
L		140	152	165	178	190	216	241	283	305	381	403	502
H		108	111	124	128	139	148	209	219	Gear operation	Gear operation	Gear operation	Gear operation
D		130	130	160	160	230	300	600	600	Gear operation	Gear operation	Gear operation	Gear operation