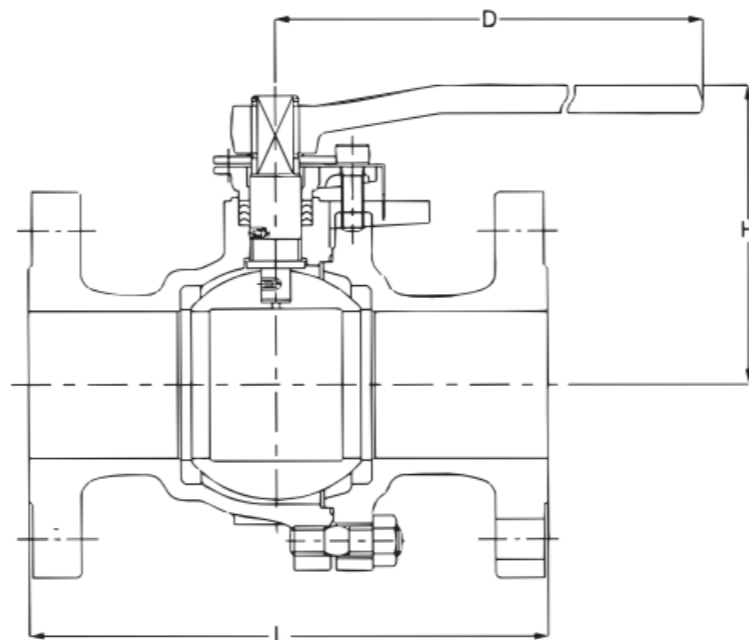


Fig. 20UTB/20UTBM



Class JIS20K



Materials

Parts	20UTB	20UTBM
Body	SCS13	SCS14
Cap	SCS13	SCS14
Stem	SUS 304	SUS 316
Ball	SUS 304	SUS 316
	SCS13A	SCS14A
Seat	HYPATITE PTFE	

Dimensions

size	inch	1/2	3/4	1	1 1/2	2	2 1/2	3	4	6	8
	mm	15	20	25	40	50	65	80	100	150	200
Ball Bore		15	20	25	40	50	65	80	100	150	200
L		140	152	165	190	216	241	283	305	403	502
H		82	85	94	115	120	153	162	240	290	340
D		130	130	160	230	230	400	400	750	1000	1500
H ₁ (GEAR)										337	414
D ₁ (GEAR)										310	360

mm