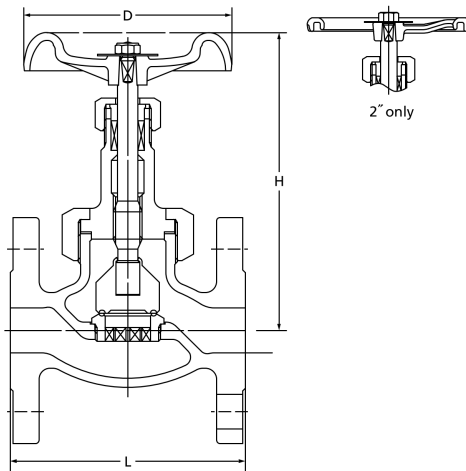


# 20K Globe Valve

**20SYB**

U.B.I.S.

RF-flanged



F-F dimension : JIS B 2002 JV 4-4 \*

End flanges : JIS B 2239 20K

\*KITZ Std. for 3/8"

120°C Static water..... 2.8MPa

220°C Steam, air, gas, oil..... 2.5MPa

300°C Steam, air, gas, oil..... 2.3MPa

350°C Steam, air, gas, oil..... 2.0MPa

- Use for lubricating or hydraulic oil is acceptable. Contact KITZ Corporation for technical advice, if valves are used as heat transfer media.

- Employment of copper gasket prohibits use of this valve for ammonia or amine chemicals.

## Materials

Parts	JIS material
Body	FCD-S
Bonnet	FCD-S
Stem	SUS420J2
Disc	SUS403 + HF *
Body seat ring	SCS13A + HF *
Gland	SUS403 (3/8" & 1/2" : SUS420J2)
Gland packing	Non Asbestos Packing
Packing nut	FCD-S
Handwheel	FCD450-10 (2" : FCD400-15)
Wheel nut	SS400
Gasket	C1100P-0
Name plate	A1050P

\* Hard-faced with Co-Cr-W alloy

## Dimensions

Size	mm							
	mm inch	10 3/8	15 1/2	20 3/4	25 1	32 1 1/4	40 1 1/2	50 2
L	110	110	120	130	160	180	230	
H (open)	136	138	157	178	202	210	239	
D	70	80	100	115	135	135	180	

NOTE : For flange dimensions refer to Page 40.