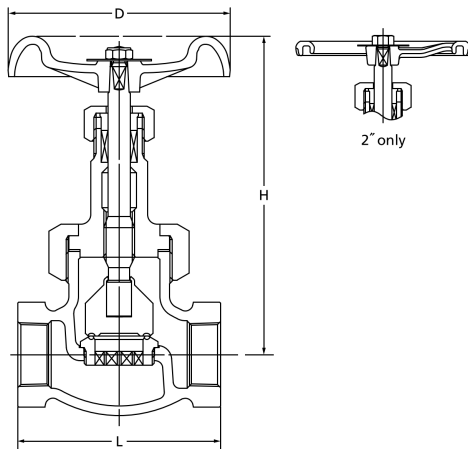
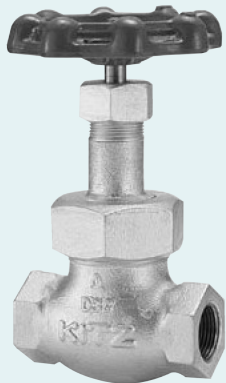


20K Globe Valve

20SY
U.B.I.S.



E-E dimension : KITZ Std.
End threads : JIS B 0203

120°C Static water..... 2.8MPa
220°C Steam, air, gas, oil..... 2.5MPa
300°C Steam, air, gas, oil..... 2.3MPa
350°C Steam, air, gas, oil..... 2.0MPa

- Use for lubricating or hydraulic oil is acceptable. Contact KITZ Corporation for technical advice, if valves are used as heat transfer media.
- Employment of copper gasket prohibits use of this valve for ammonia or amine chemicals.

Materials

| Parts | JIS material |
|----------------|---------------------------------|
| Body | FCD-S |
| Bonnet | FCD-S |
| Stem | SUS420J2 |
| Disc | SUS403 + HF * |
| Body seat ring | SCS13A + HF * |
| Gland | SUS403 (3/8" & 1/2" : SUS420J2) |
| Gland packing | Non Asbestos Packing |
| Packing nut | FCD-S |
| Handwheel | FCD450-10 (2" : FCD400) |
| Wheel nut | SS400 |
| Bonnet ring | FCD-S |
| Gasket | C1100P-0 |
| Name plate | A1050P |

* Hard-faced with Co-Cr-W alloy

Dimensions

| Size | mm | | | | | | | |
|----------|------------|-----------|-----------|-----------|---------|-------------|-------------|---------|
| | mm inch | 10 3/8 | 15 1/2 | 20 3/4 | 25 1 | 32 1 1/4 | 40 1 1/2 | 50 2 |
| L | | 75 | 78 | 91 | 105 | 122 | 135 | 160 |
| H (open) | | 136 | 138 | 157 | 178 | 202 | 210 | 239 |
| D | | 70 | 80 | 100 | 115 | 135 | 135 | 180 |