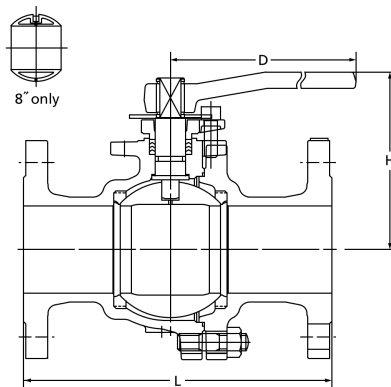
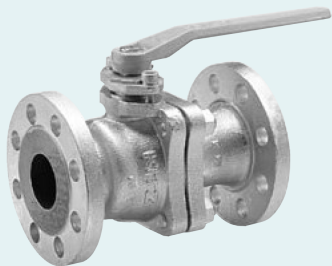


20K Ball Valve for Gas Service Full Bore

20STLB

RF-flanged



F-F dimension : ASME B16.10
End flanges : JIS B 2239 20K

80°C Gas 2.4MPa

Materials

| Parts | JIS material |
|----------------|-----------------|
| Body | FCD-S |
| Body cap | FCD-S |
| Stem | SUS403 |
| Ball | SUS304 / SCS13A |
| Gland | FCD-S |
| Gland packing | PTFE |
| Gasket | PTFE |
| Ball seat | HYPHTITE PITFE |
| O-ring | NBR |
| Cap bolt / nut | Carbon Steel |
| Stopper | SUS430 |
| Snap ring | SK5 |
| Handle | FCD400-15 |

Dimensions

| Size | mm | | | | | | | | | | | |
|---------|------------|-----------|-----------|---------|-------------|-------------|---------|-------------|---------|----------|----------|----------|
| | mm inch | 15 1/2 | 20 3/4 | 25 1 | 32 1 1/4 | 40 1 1/2 | 50 2 | 65 2 1/2 | 80 3 | 100 4 | 150 6 | 200 8 |
| L | 140 | 152 | 165 | 178 | 190 | 216 | 241 | 283 | 305 | 403 | 502 | |
| H(open) | 106 | 109 | 130 | 135 | 115 | 120 | 153 | 162 | 241 | 293 | 352 | |
| D | 130 | 130 | 160 | 160 | 230 | 230 | 400 | 400 | 750 | 1000 | 1500 | |

NOTE : For flange dimensions refer to Page 40.