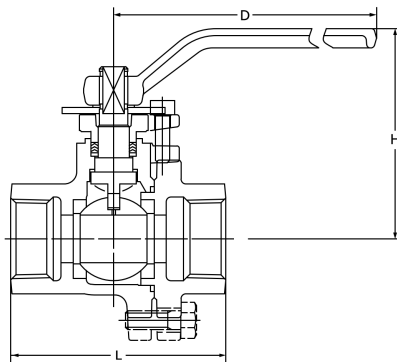


20K Ball Valve Reduced Bore

20ST
20STL (Gas service)



E-E dimension : KITZ Std.
 End threads : JIS B 0203

Maximum Service Pressure

| Code | Temperature | Pressure |
|-------|--------------|----------|
| 20ST | 110°C W.O.G. | 2.8MPa |
| | 140°C W.O.G. | 2.0MPa |
| 20STL | 80°C gas. | 2.4MPa |

● Use for lubricating or hydraulic oil is acceptable.

Materials

| Parts | JIS material |
|---------------|-----------------|
| Body | FCD-S |
| Body cap | FCD-S |
| Stem | SUS403 |
| Ball | SUS304 / SCS13A |
| Gland | FCD-S |
| Gland packing | PTFE |
| Gasket | PTFE |
| Ball seat | HYPATITE PTFE |
| O ring * | NBR |
| Gland bolt | Alloy Steel |
| Cap bolt | Carbon Steel |
| Handle | FCD400-15 |
| Name plate * | SUS304 |

*for 20STL only

Dimensions

| Size | mm | | | | | | |
|------|------|-----|-----|-----|-------|-------|-----|
| | mm | 15 | 20 | 25 | 32 | 40 | 50 |
| inch | inch | 1/2 | 3/4 | 1 | 1 1/4 | 1 1/2 | 2 |
| L | | 75 | 80 | 90 | 105 | 115 | 130 |
| H | | 106 | 106 | 107 | 129 | 133 | 114 |
| D | | 130 | 130 | 130 | 160 | 160 | 230 |