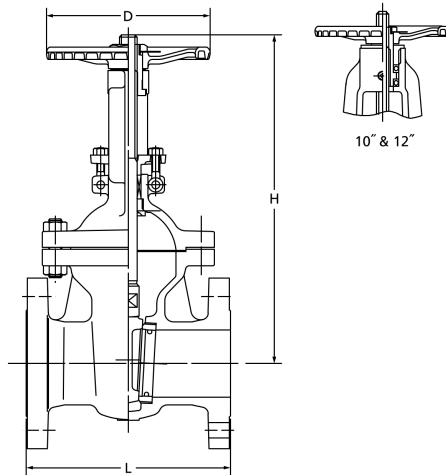
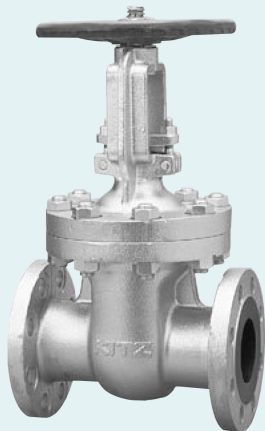


20K Gate Valve

20SLBO

B.B.O.S.Y.

RF-flanged



F-F dimension : JIS B 2002
End flanges: JIS B 2239 20K

120°C Static water..... 2.8MPa
220°C Steam, air, gas, oil..... 2.5MPa
300°C Steam, air, gas, oil..... 2.3MPa
350°C Steam, air, gas, oil..... 2.0MPa

● Use for lubricating or hydraulic oil is acceptable.

Materials

Parts	JIS material
Body	FCD-S
Bonnet	FCD-S
Stem	SUS403
Disc	SUS403 (8"~12": SCPH2 + 13Cr)
Body seat ring	SUS403
Gland	FCD-S
Gland packing	Non Asbestos Packing
Handwheel	FCD400
Wheel nut	S5400
Bonnet bolt/nut	Carbon Steel
Gland bolt/nut	Carbon Steel
Yoke sleeve	C6782BE (6"~12": CAC302)
Gasket	Non Asbestos Sheet
Name plate	A1050P

Dimensions

Size	mm										
	mm inch	40	50	65	80	100	125	150	200	250	300
L	190	216	241	283	305	381	403	419	457	502	
H (open)	326	395	450	520	595	725	820	1070	1247	1451	
D	160	200	200	250	250	300	350	400	450	500	

NOTE : For flange dimensions refer to Page 40.