

20K Globe Valve with Soft Disc for Gas Service

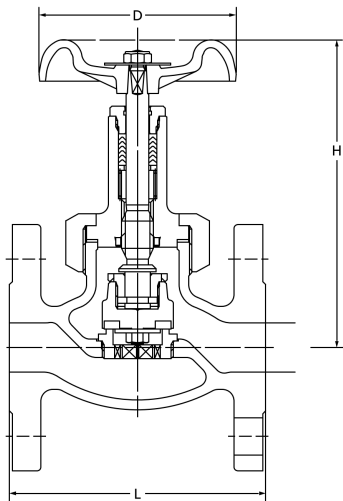
20SDLB

U.B.I.S.

RF-flanged.



PTFE disc for gas service



F-F dimension : JIS B 2002 JV 4-4

End flanges : JIS B 2239 20K

80°C gas..... 2.4MPa

Materials

Parts	JIS material
Body	FCD-5
Bonnet	FCD-5
Stem	SUS420J2
Disc	G/F PTFE
Gland	SUS303
Gland packing	NBR
Handwheel	ADC12 (1/2" : ZDC2)
Gasket	Non Asbestos Sheet
Body seat ring	SCS13A
Stem washer	SUS403
Disc washer	SUS304
Spring	SUS304 WPB

Dimensions

Size	mm						
	mm inch	15 1/2	20 3/4	25 1	32 1 1/4	40 1 1/2	50 2
L		110	120	130	160	180	230
H (open)		128	147	168	192	201	237
D		70	90	100	115	135	155

NOTE : For flange dimensions refer to Page 40.