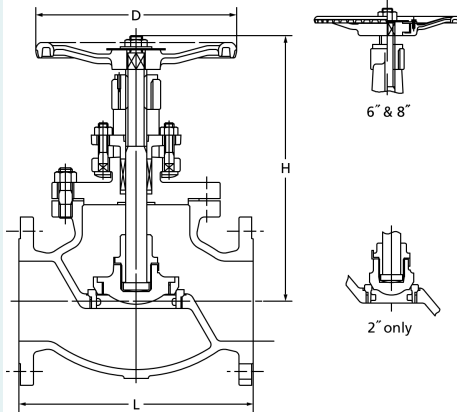


Class 150 Globe Valve

150SPBO

B.B.O.S.Y.

RF-flanged



F-F dimension : ASME B16.10
End flanges : ASME B16.5

—5°C ~ +38°C W.O.G. 1.73MPa
149°C W.O.G. 1.48MPa
260°C W.O.G. 1.18MPa
343°C W.O.G. 0.86MPa

● Use for lubricating or hydraulic oil is acceptable.

Materials

Parts	JIS material
Body	FCD-S
Bonnet	FCD-S
Stem	SUS403
Disc	FCD-S (2": SUS403)
Gland	FCD-S
Gland packing	Non Asbestos Packing
Handwheel	FCD400
Gasket	Non Asbestos Sheet
Body seat ring	SUS403
Disc seat ring	SUS403
Yoke bush	C6782BE

Dimensions

Size	mm							
	mm inch	50	65	80	100	125	150	200
L		203	216	241	292	356	406	495
H (open)		302	317	356	377	460	524	585
D		200	225	250	250	300	350	400

NOTE : For flange dimensions refer to Page 41.