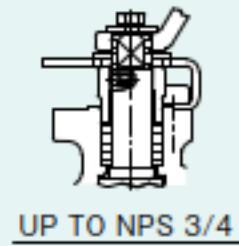
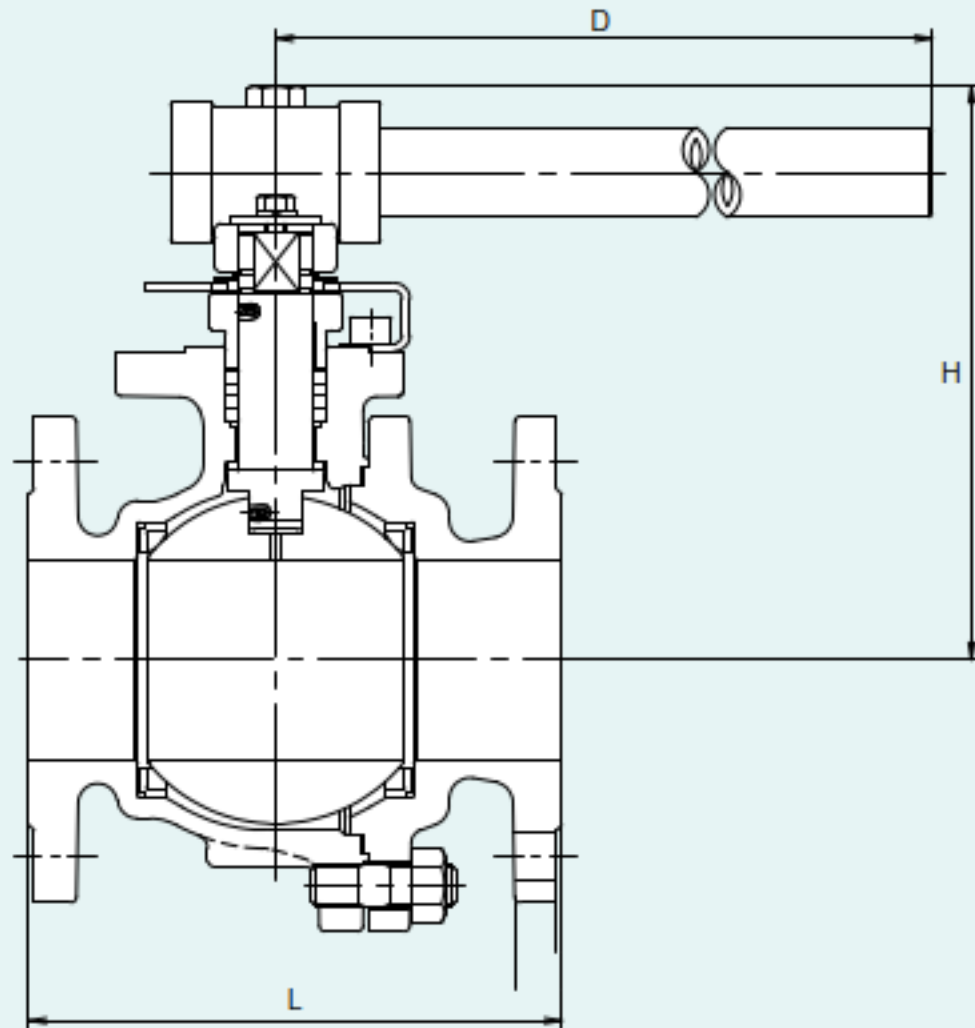
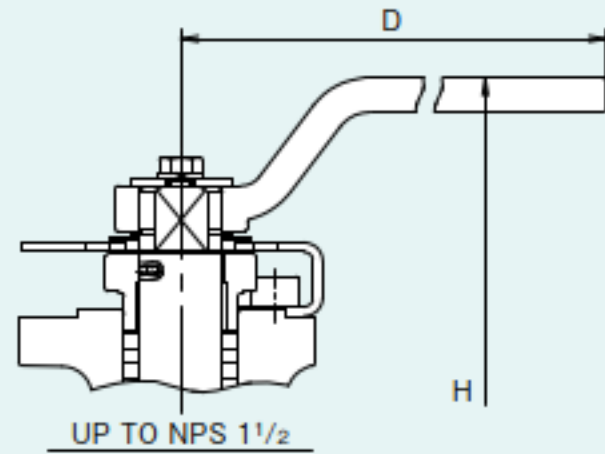


**150/10UTDZ3H(M)**  
**150/10SCTDZ3H**



Page 109 for Pressure-Temperature Ratings.

**Dimensions of 10UTDZ3H(M), 10SCTDZ3H**

Unit: mm

Nominal Size	NPS	1/2	3/4	1	1 1/4*	1 1/2	2	2 1/2	3	4	5	6	8
	DN	15	20	25	32	40	50	65	80	100	125	150	200
L		108	117	127	140	165	178	190	203	229	356	394	457
H		108	111	124	128	134	148	209	219	251	Gear operation	Gear operation	Gear operation
D		130	130	160	160	230	300	600	600	1000	Gear operation	Gear operation	Gear operation