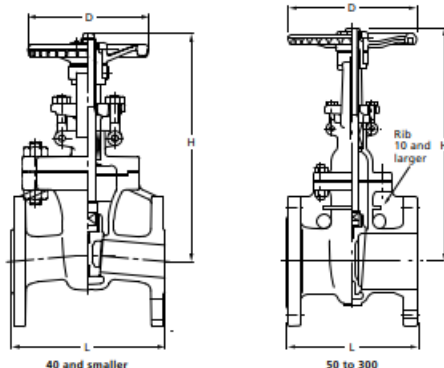


10UMA(T)

10UMAM(T)



### Materials

Parts	10UMA(T)*	10UMAM(T)*
Body	SCS13A	SCS14A
Bonnet	SCS13A	SCS14A
Stem	304SS	316SS
Disc	SCS13A	SCS14A
Gland	304SS	316SS
Gland flange	Stainless steel	
Gland packing	Refer to Page 10	
Gasket	Refer to Page 10	
Yoke sleeve	Ductile Ni-resist	
Yoke**	Ductile iron	
Handwheel	Ductile iron	
Gland bolt/nut	Stainless steel	
Bonnet bolt/nut	B8/8	
Grease nipple***	Stainless steel	
Name plate	Aluminum	

\*(T) Suffixing stands for the provision of ceramic filled PTFE gaskets

\*\*Yoke is separated from bonnet for 250 and larger.

\*\*\*For size 250 and larger

Note: • Body seats and/or disc seats can be optionally hard-faced.

• Flexible wedge for all sizes

### Items

Face to face dimensions	ASME B16.10 Class 150
End flange dimensions	JIS B2220 10K
Wall thickness	ASME B16.34 Class 150

Nominal Size		1/2	3/4	1	1 1/4	1 1/2	2	2 1/2	3	4	5	6	8	10	12	14	16	18	20	24
		15	20	25	32	40	50	65	80	100	125	150	200	250	300	350	400	450	500	600
L	in.	4.25	4.61	5.00	5.51	6.50	7.01	7.48	7.99	9.02	10.0	10.5	11.5	13.0	14.0	15.00	16.00	17.00	18.00	20.00
	mm	108	117	127	140	165	178	190	203	229	254	267	292	330	356	381	406	432	457	508
H (open)	in.	7.91	8.31	8.82	9.45	11.2	13.2	14.7	17.5	20.6	23.9	28.0	36.4	44.3	52.6	58.50	66.54	74.41	82.68	96.85
	mm	201	211	224	240	284	336	374	444	523	606	711	924	1126	1336	1491	1692	1891	2102	2463
D	in.	3.54	3.54	3.94	3.94	5.51	6.30	7.09	7.87	8.86	9.84	9.84	11.8	13.8	15.8	17.72	23.62	23.62	26.77	29.92
	mm	90	90	100	100	140	160	180	200	225	250	250	300	350	400	450	600	600	680	760