

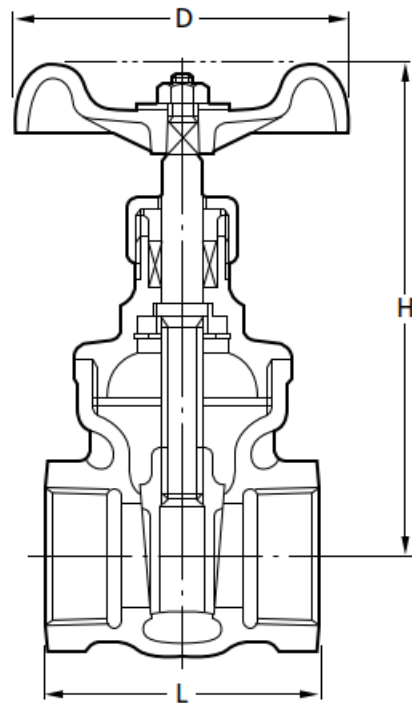
# 10K

# GATE VALVE

Pressure-Temperature Rating: 1.0 MPa: 180°C

UEL

UELM



Parts	UEL	UELM
Body	SCS13A	SCS14A
Bonnet	SCS13A	SCS14A
Stem	304SS	316SS
Disc	SCS13A	SCS14A
Gland	304SS	316SS
Gland packing	Refer to Page 10	
Packing nut	Stainless steel	
Handwheel	Zinc Diecast (15 & 20) / Aluminum Diecast (25 to 50)	
Name plate	Aluminum	

Face to face dimensions: KITZ Std.  
 End thread dimensions: JIS B0203  
 Wall thickness: KITZ Std.

Nominal Size	1/2	3/4	1	1 1/4	1 1/2	2
	15	20	25	32	40	50
L	54	58	65	74	78	87
H	96	101	112	123	150	167
D	70	70	80	80	100	100

Unit: mm