

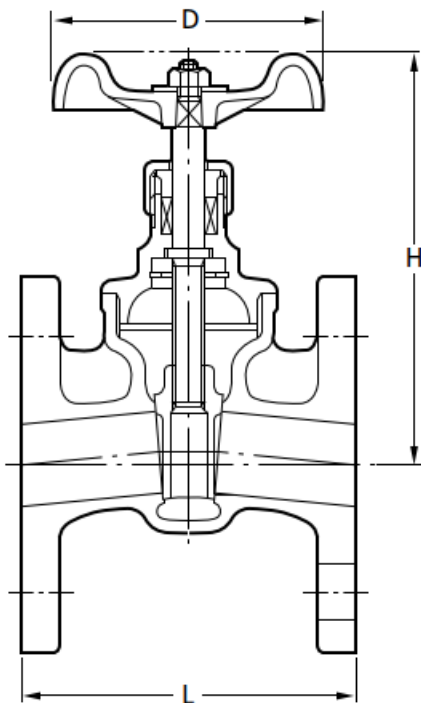
# 10K

# GATE VALVE

Pressure-Temperature Rating: 1.0 MPa: 180°C

UEB

UEBM



65 and larger

50 and smaller



Parts	UEB	UEBM
Body	SCS13A	SCS14A
Bonnet	SCS13A	SCS14A
Stem	304SS	316SS
Disc	SCS13A	SCS14A
Gland	304SS	316SS
Gland packing	Refer to Page 10	
Packing nut	Stainless steel	
Handwheel	Zinc Diecast (15 & 20) / Aluminum Diecast (25 to 80)	
Snap ring	316SS	
Name plate	Aluminum	

Face to face dimensions: JIS B2011\*  
 End flange dimensions: JIS B2220\*\*  
 Wall thickness: KITZ Std.

\*KITZ standard for Size 1/2 and 3/4

\*\*Except flange thickness

Nominal Size	1/2*	3/4*	1	1 1/4	1 1/2	2	2 1/2	3
	15	20	25	32	40	50	65	80
L	85	95	100	110	125	140	170	190
H	99	105	116	128	170	188	248	275
D	70	70	80	80	100	100	135	155

Unit: mm

\*UEB only