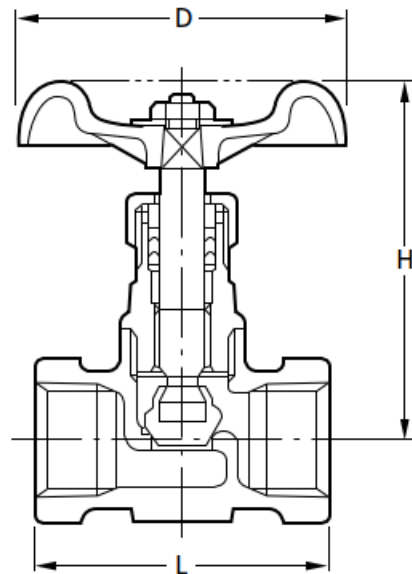


**5K****GLOBE VALVE**

Pressure-Temperature Rating: 1.0 MPa: 180°C

UCL



Parts	UCL
Body	SCS13A
Bonnet	SCS13A
Stem	304SS
Disc	304SS
Gland	304SS
Gland packing	Refer to Page 10
Packing nut	SCS13A
Handwheel	Zinc Diecast (8 to 25) / Aluminum Diecast (32 to 50)
Name plate	Aluminum

Face to face dimensions: KITZ Std.  
 End thread dimensions: JIS B0203  
 Wall thickness: KITZ Std.

Nominal Size	1/4	3/8	1/2	3/4	1	1 1/4	1 1/2	2
	8	10	15	20	25	32	40	50
L	44	48	52	60	72	80	90	100
H	68	68	68	93	100	122	138	153
D	55	55	55	60	70	80	90	100

Unit: mm