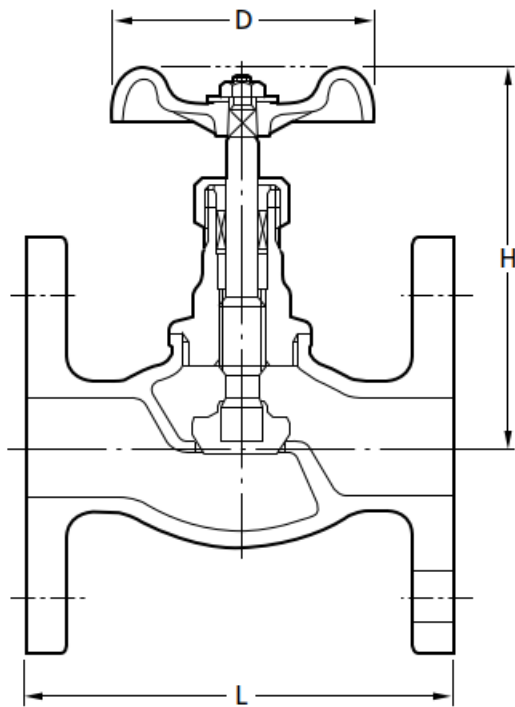


10K

GLOBE VALVE

Pressure-Temperature Rating: 1.0 MPa: 180°C

UCB



Parts	UCB
Body	SCS13A
Bonnet	SCS13A
Stem	304SS
Disc	304SS
Gland	304SS
Gland packing	Refer to Page 10
Packing nut	304SS
Handwheel	Zinc Diecast (10 to 20) / Aluminum Diecast (25 to 50)
Name plate	Aluminum

Face to face dimensions: KITZ Std. *Except flange thickness
 End flange dimensions: JIS B2220*
 Wall thickness: KITZ Std.

Nominal Size	$\frac{3}{8}$	$\frac{1}{2}$	$\frac{3}{4}$	1	$1\frac{1}{4}$	$1\frac{1}{2}$	2
	10	15	20	25	32	40	50
L	73	85	95	108	120	135	155
H	106	106	108	119	142	155	186
D	70	70	70	80	90	90	115

Unit: mm