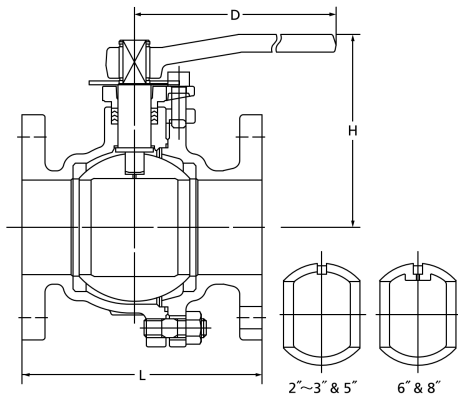


# 10K Ball Valve Full Bore

## 10STBF 10STLBF (Gas service)

FF-flanged



F-F dimension : ASME B16.10  
End flanges : JIS B 2239 10K

### Dimensions

Size	mm														
	mm	15	20	25	32	40	50	65	80	100	125	150	200		
inch	inch	1/2	3/4	1	1 1/4	1 1/2	2	2 1/2	3	4	5	6	8		
L		108	117	127	140	165	178	190	203	229	356	394	457		
H		106	109	130	135	115	120	153	162	199	219	293	352		
D		130	130	160	160	230	230	400	400	460	460	1000	1500		

NOTE : For flange dimensions refer to Page 40. ※ RF-flanged ends shall be optionally available.

### Maximum Service Pressure

Code	Valve size	Temperature	Pressure
10STBF	All size	120°C W.O.G.	1.4MPa
	4" and smaller	160°C W.O.G.	1.0MPa
	5" to 8"	140°C W.O.G.	1.0MPa
10STLBF	All size	80°C gas	1.2MPa

● Use for lubricating or hydraulic oil is acceptable.

### Materials

Parts	JIS material
Body	FCD-S
Body cap	FCD-S
Stem	SUS403
Ball	SCS13A / SUS304 / SUS304TP
Gland	FCD-S
Gland packing	PTFE
Handle	FCD400
Gasket	PTFE
Packing washer	SUS304 (1/2" ~ 1 1/4")
Ball seat	HYPATITE PTFE * <sup>1</sup>
Cap bolt / nut	SS400 * <sup>2</sup>
Gland bolt	SCM435
O ring * <sup>3</sup>	NBR
Stopper	SUS430
Name plate * <sup>3</sup>	SUS304

\*<sup>1</sup> PTFE or C/F PTFE is optionally available.

\*<sup>2</sup> Different bolt / nut material is required for service exceeding temperature range of 0 ~ 225°C.  
Contact KITZ Corporation for technical advice.

\*<sup>3</sup> for 10STLBF only

Contact KITZ Corporation for use of valve actuators.