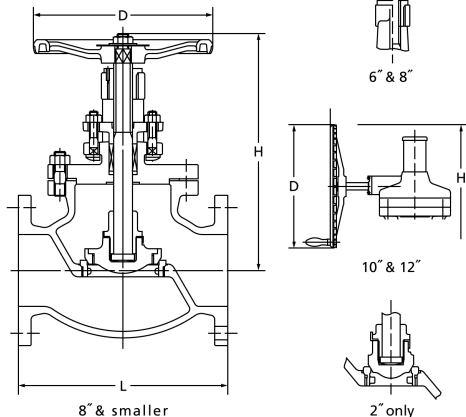


10K Globe Valve

10SPBOF

B.B.O.S.Y.

FF-flanged



F-F dimension : JIS B 2002
End flanges : JIS B 2239 10K

120°C Static water.....1.4MPa
220°C Steam, air, gas, oil.....1.2MPa
300°C Steam, air, gas, oil.....1.0MPa

- Use for lubricating or hydraulic oil is acceptable. Contact KITZ Corporation for technical advice, if valves are used as heat transfer media.
- Bolting materials will be changed for servicing high temperature exceeding 225°C . Contact KITZ Corporation for detailed information.

Materials

Parts	JIS material
Body	FCD-S
Bonnet	FCD-S
Stem	SUS403
Disc	FCD-S (2" : SUS403)
Disc seat ring	SUS403
Body seat ring	SUS403
Lock nut	FCD-S
Gland	FCD-S
Gland packing	Non Asbestos Packing
Handwheel	FCD400
Wheel nut	SS400
Packing washer	SUS403
Bonnet bolt /nut	SS400
Gland bolt /nut	SS400
Gasket	Stainless Foil inserted Flexible Graphite
Name plate	A1050P
Yoke bush	C6782BE: 2" ~ 8"

Dimensions

Size	mm									
	mm	50	65	80	100	125	150	200	250	300
	inch	2	2½	3	4	5	6	8	10	12
L		203	216	241	292	356	406	495	622	698
H (open)		302	317	356	377	460	524	585	880	943
D		200	225	250	250	300	350	400	360	360

NOTE : For flange dimensions refer to Page 40. ※ RF-flanged ends shall be optionally available.