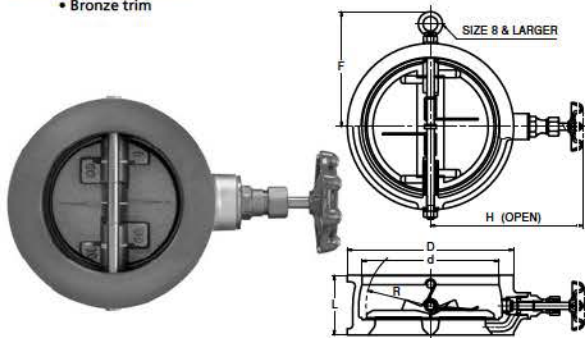


Fig. 10FWZ

• Bronze trim



## Dimensions

Valve Size	B		1 1/2		2		2 1/2		3		4		5		6		8		10		12		14		16		18			
	A																													mm
L			54	56	56	59	66			72	78	96	109	145	184	191	204													
H Height (OPEN)			128	143	150	156	169			183	216	243	290	315	330	355	388													
F			—	—	—	—	—			—	—	187	229	254	272	301	338													
D			86	101	121	131	156			187	217	267	330	375	420	483	538													
d			54	63	77	90	116			143	169	220	273	324	356	406	457													
R			26	33	37	44	55			67	78	105	129	155	170	195	220													

## Materials

Parts	Material	JIS Spec.
Body	Cast Iron	FC250+NBR
Pin	Stainless Steel	SUS304
Disc	Bronze	CAC406
Nut 6 to 18	Stainless Steel	SUS304
Plug 1 1/2 to 5	Carbon Steel	S45CH

## Bypass Valve

Parts	Material	JIS Spec.
Bonnet 1 1/2 to 5	Brass	C3771BE
	Bronze	CAC406
Stem	Brass	C3531
Disc	Brass	C3531
Body seat ring	Brass	C3531
Grand packing	Asbestos-free	

## Design Specifications

Items	
Shell wall thickness and general valve design	KITZ Standard
Face-to-face dimensions, end-to-end dimensions	KITZ Standard
End flange dimensions, gasket contact facing	Wafer Type (JIS 10K)

80°C Non-shock water: 1.4 MPa

80°C Water, oil, air: 1.0 MPa