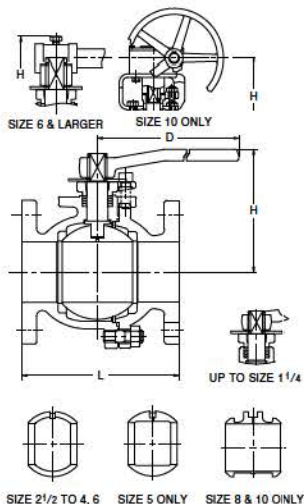


Fig. 10FCTB



Blowout-proof stem



Materials

Parts	Material	JIS Spec.
Body	Cast Iron	FC200
Body cap	Cast Iron	FC200
Stem	Stainless Steel	SUS403
Ball	Stainless Steel	SCS13A or SUS304 or SUS304TP
Grand packing		PTFE
Gasket		PTFE
Ball seat		PTFE
Cap bolt		Carbon Steel
Handle	Ductile Iron	FCD400

Design Specifications

Items	
Shell wall thickness and general valve design	KITZ Standard
Face-to-face dimensions, end-to-end dimensions	KITZ Standard
End flange dimensions, gasket contact facing	JIS B2239 10K

For Pressure-Temperature Ratings, refer to individual catalog(No.E-201).

Dimensions

Valve Size	B A	1/2	3/4	1	1 1/4	1 1/2	2	2 1/2	3	4	5	6	8	10	mm
		L Face-to-face	110	120	130	140	165	180	190	200	230	300	340	450	533
H Height	102	105	124	128	114	121	154	163	199	219	292	352	477		
D Handle	130	130	160	160	230	230	400	400	460	460	1000	1500	-		

*Note: Gear Operated. Contact KITZ or KITZ distributors for details.