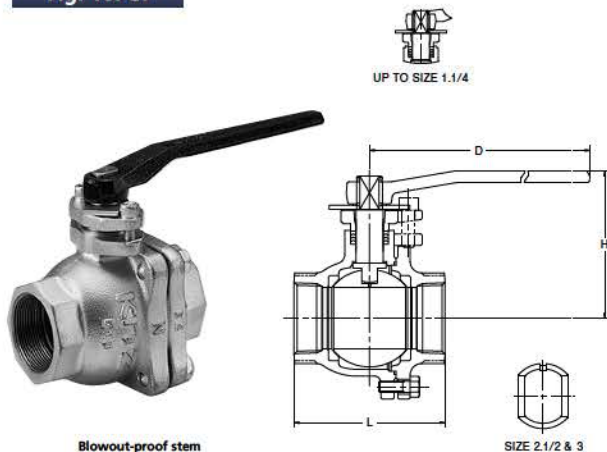


10K**IRON THREADED BALL VALVE (Full Bore)****Fig. 10FCT**

Blowout-proof stem

Materials

Parts	Material	JIS Spec.
Body	Cast Iron	FC200
Body cap	Cast Iron	FC200
Stem	Stainless Steel	SUS403
Ball	Stainless Steel	SCS13A or SUS304 or SUS304TP
Grand packing		PTFE
Gasket		PTFE
Ball seat		PTFE
Cap bolt	Carbon Steel	
Handle	Ductile Iron	FCD400

Design Specifications

Items	
Shell wall thickness and general valve design	KITZ Standard
Face-to-face dimensions, end-to-end dimensions	KITZ Standard
Threaded ends	JIS B0203

For Pressure-Temperature Ratings, refer to individual catalog(No.E-201).

Dimensions

Valve Size	B	3/8	1/2	1/2	1	1 1/4	1 1/2	2	2 1/2	3	mm
	A	10	15	20	25	32	40	50	65	80	
L Face-to-face		72	80	85	95	120	120	140	160	182	
H Height		71	102	105	125	130	115	120	155	165	
D Handle		130	130	130	160	160	230	230	400	400	