

Designed to JIS B2031

**Fig. 10FCJ**

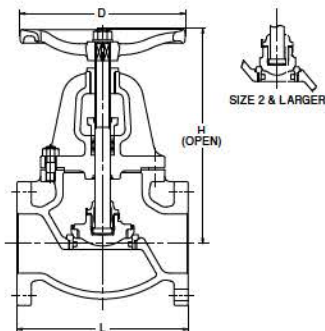
- Bronze trim

**Fig. 10FCJS**

- Stainless steel trim (13 Cr.)

**Fig. 10FCJU**

- Stainless steel trim (18-8)



## Materials

Parts	Material	JIS Spec.		
		10FCJ	10FCJS	10FCJU
Body	Cast Iron	FC200		
Bonnet	Cast Iron	FC200		
Stem	Brass/Stainless Steel	C3771BD	SUS403	SUS304
Disc	1 1/4 & 2	Brass/Stainless Steel	CAC406	SUS403
	2 1/2 & larger	Cast Iron	FC200	
Disc seat ring	Brass/Stainless Steel	CAC406	SUS403	SUS304
Body seat ring	Bronze	CAC406	SUS403	SUS304
Gland	1 1/2 to 14	Ductile Iron	FCD-5	
Gland packing		Asbestos-free		
Gasket		Asbestos-free		
Gland bolt/nut		Carbon Steel		
Bonnet bolt/nut		Carbon Steel		
Yoke bushing	Bronze	CAC406		
Handwheel	1 1/2 to 6	Cast Iron	FC250	
	8 only	Ductile Iron	FCD400	
	10 only	Cast Iron	FC200	

For JIS Valves Pressure-Temperature Ratings MPa, refer to page 2.

## Dimensions

Valve Size	B	1 1/2	2	2 1/2	3	4	5	6	8
	A	40	50	65	80	100	125	150	200
<b>L</b> Face-to-face		190	200	220	240	290	360	410	500
<b>H</b> Height (OPEN)		260	277	307	353	404	467	533	620
<b>D</b> Diameter		160	180	180	225	280	300	350	450

mm