

Displacement Transducers

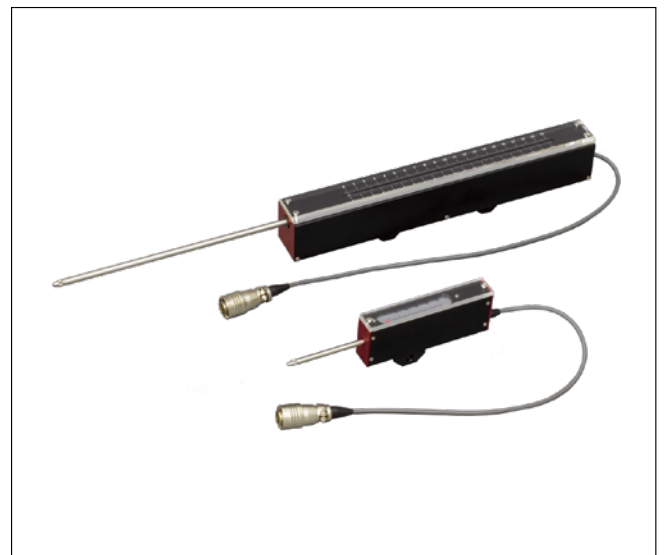
NEW SDP-E (General purpose / with Scale)

The scale and pointer on the main body provides approximate reading of the displacement

Features

- Realizes stable measurement
- Easy handling
- Convenient scale and pointer

For SDP-200E and SDP-300E, a dual-output type with two independent input/output ports is optionally available. Please contact us for the details.



This is a strain gauge type displacement transducer for general purpose. This transducer has a small cantilever inside, and displacement is mechanically converted into deflection of the cantilever. Strain, which is proportional to the deflection, is generated on the cantilever and is measured by strain gauges. Stable measurement is possible even for a small displacement. The scale and pointer on the main body enables easy positioning of the transducer.

Protection ratings: IP 40 equivalent

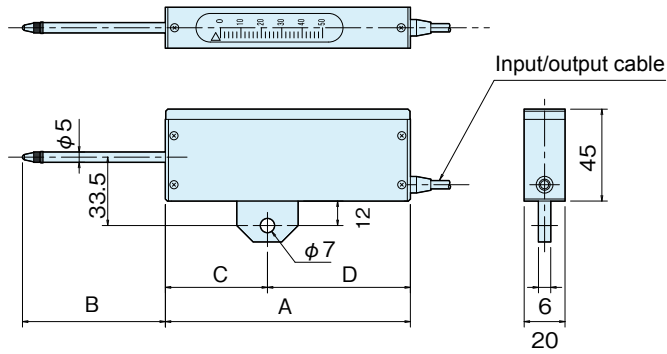


Tokyo Measuring Instruments Lab.

RESEARCH EQUIPMENT CO.,LTD.

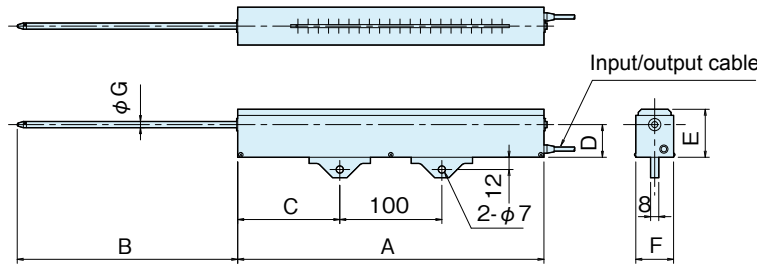
External dimensions

SDP-50E/SDP-100E



Type	A	B	C	D
SDP-50E	120	70	50	70
SDP-100E	210	120	90	120

SDP-200E/SDP-300E



Type	A	B	C	D	E	F	G
SDP-200E	300	216	100	32	47	37	6
SDP-300E	400	317	150	35	51	42	8

Unit: mm

Specifications

Type	SDP-50E	SDP-100E	SDP-200E	SDP-300E
Capacity	50 mm	100 mm	200 mm	300 mm
Rated Output	2.5 mV/V(5000×10 ⁻⁶ strain) ±0.2%		5 mV/V(10000×10 ⁻⁶ strain) ±0.3%	
Sensitivity	100×10 ⁻⁶ strain/mm	50×10 ⁻⁶ strain/mm	50×10 ⁻⁶ strain/mm	Approx. 33×10 ⁻⁶ strain/mm
Non-linearity	0.2%RO		0.3%RO	
Spring force	6N			7.4N
Frequency response	1Hz		2Hz	1.5Hz
Allowable temperature range	-10~+60°C			
Input/Output resistance	350Ω			
Recommended exciting voltage	2V以下			
Allowable exciting voltage	5V		10V	
Supplied cable	CT6-4V10/NJ-STB (Φ6mm 0.3mm ² 4-core shielded vinyl cable 10m)			
Weight	220g	320g	900g	1200g

The contents of this catalog are subject to change without prior notice.
The contents of this catalog are as of May 2019.



Tokyo Measuring Instruments Lab.

RESEARCH EQUIPMENT CO.,LTD.

Tokyo Measuring Instruments Laboratory Co., Ltd. www.tml.jp

8-2, Minami-ohi 6-chome, Shinagawa-ku, Tokyo 140-8560, JAPAN
TEL: +81-3-3763-5614 FAX: +81-3-3763-5713

