

# Displacement Transducers



## SDP-ET

(General purpose / Tension measurement possible)

The scale and pointer on the main body provides approximate reading of the displacement

Tension displacement is measured by attaching a wire to the hook bolt

### Features

- Realizes stable measurement
- Convenient scale and pointer
- Applicable to tension displacement measurement



This is a strain gauge type displacement transducer for general purpose. This transducer has a small cantilever inside, and displacement is mechanically converted into deflection of the cantilever. Strain, which is proportional to the deflection, is generated on the cantilever and is measured by strain gauges. Stable measurement is possible even for a small displacement.

The hook bolt is integrated with the measuring shaft, and tension displacement is measured by pulling the hook bolt through a wire. (When using a wire for the displacement measurement, consider the loss of sensitivity caused by elongation of the wire.)

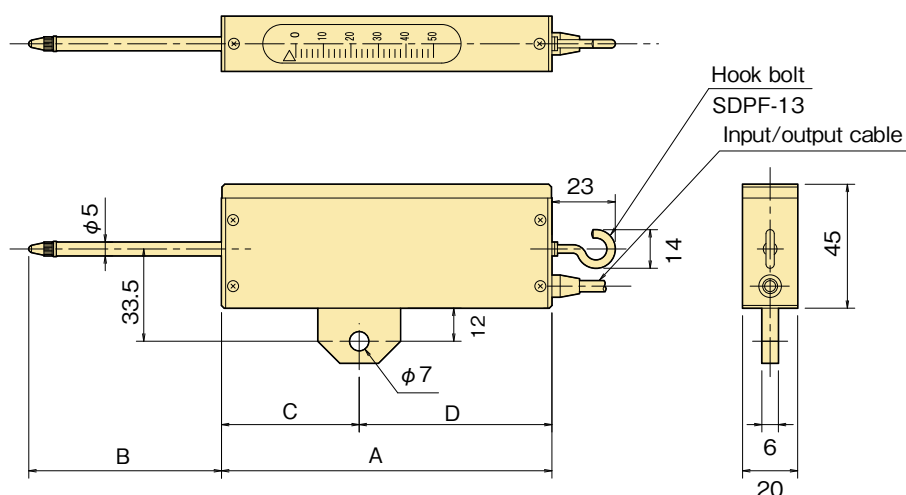
Protection ratings: IP 40 equivalent



Tokyo Measuring Instruments Lab.

RESEARCH EQUIPMENT CO.,LTD.

# External dimensions



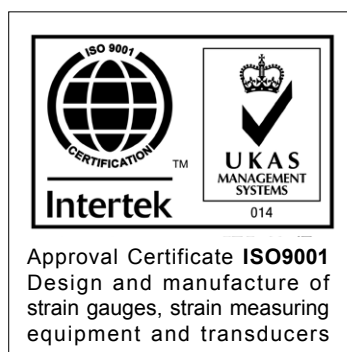
Type	A	B	C	D	Weight(g)
SDP-50ET	120	70	50	70	220
SDP-100ET	210	120	90	120	320

Unit: mm

# Specifications

Type	SDP-50ET	SDP-100ET
Capacity	50 mm	100 mm
Rated Output	2.5 mV/V(5000×10 <sup>-6</sup> strain) ±0.2%	
Sensitivity	100×10 <sup>-6</sup> strain/mm	50×10 <sup>-6</sup> strain/mm
Non-linearity	0.2%RO	
Spring force	6N	
Frequency response	1Hz	
Allowable temperature range	-10~+60°C	
Input/Output resistance	350Ω	
Recommended exciting voltage	2 V or less	
Allowable exciting voltage	5V	
Supplied cable	CT6-4V10/NJ-STB (Φ6mm 0.3mm <sup>2</sup> 4-core shielded vinyl cable 10m)	

The contents of this catalog are subject to change without prior notice.  
The contents of this catalog are as of May 2019.



Approval Certificate **ISO9001**  
Design and manufacture of  
strain gauges, strain measuring  
equipment and transducers



## Tokyo Measuring Instruments Lab.

RESEARCH EQUIPMENT CO.,LTD.

Tokyo Measuring Instruments Laboratory Co., Ltd. [www.tml.jp](http://www.tml.jp)

8-2, Minami-ohi 6-chome, Shinagawa-ku, Tokyo 140-8560, JAPAN  
TEL: +81-3-3763-5614 FAX: +81-3-3763-5713

