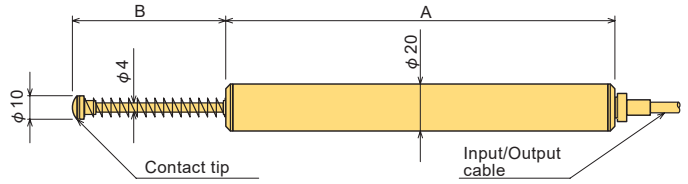
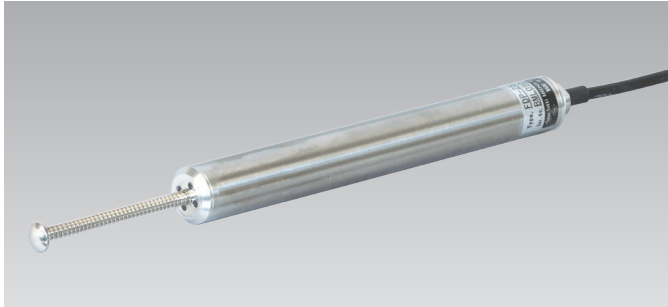


DISPLACEMENT TRANSDUCERS

FDP-A Waterproof Displacement Transducer 10~100mm



■ DIMENSIONS

TYPE	A	B
FDP-10A	170	69
FDP-25A	170	69
FDP-50A	230	89
FDP-100A	347	181

FDP-A series is a DC operated LVDT which can be measured with not only our TDS series data loggers but DC excitation type dynamic strainmeters and handheld strainmeters. In addition to high output and high response, waterproof structure and all stainless steel made external parts make underwater measurement possible.

Protection ratings: IP68 equivalent

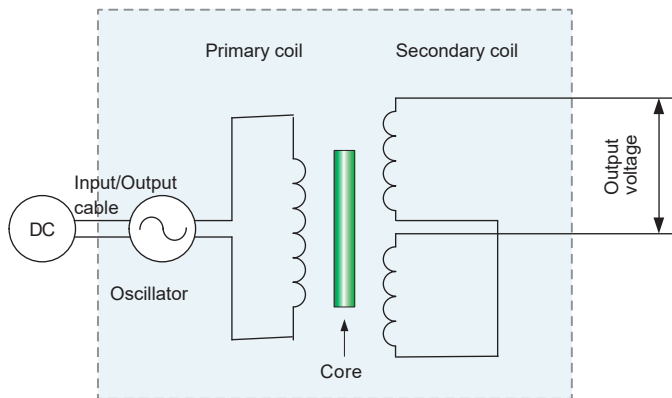
Waterproof type

■ Instruments

Data Logger



■ Sensor mode applicable: Full bridge 0-2V



Handheld Data Logger



Dynamic strain recorder



■ SPECIFICATIONS

TYPE	FDP-10A	FDP-25A	FDP-50A	FDP-100A
Capacity	10mm	25mm	50mm	100mm
Rated Output	10000×10 ⁻⁶ strain		15000×10 ⁻⁶ strain	
Sensitivity(x10 ⁻⁶ strain)/mm	1000	600	300	150
Non-linearity	0.5%RO			
Spring force	3N		3.5N	
Frequency response	16Hz	10Hz	8Hz	5Hz
Temperature effect on zero	0.05%RO/°C			
Compensated temperature range	-10 ~ +60°C (no icing)			
Allowable temperature range	-10 ~ +80°C (no icing)			
Recommended exciting voltage	2V or less			
Allowable exciting voltage	5V			
Water pressure resistance	1MPa			
Holders supplied	CDPF-11-25 1 pc.		CDPF-11-25 2 pcs.	
Weight	250g	250g	350g	650g

Input/Output cable : φ 4.6mm 0.14mm² 4-core shielded vinyl cable 10m