

DISPLACEMENT TRANSDUCERS

DP-G / E Displacement Transducer 500~5000mm

NEW



Wire tension type

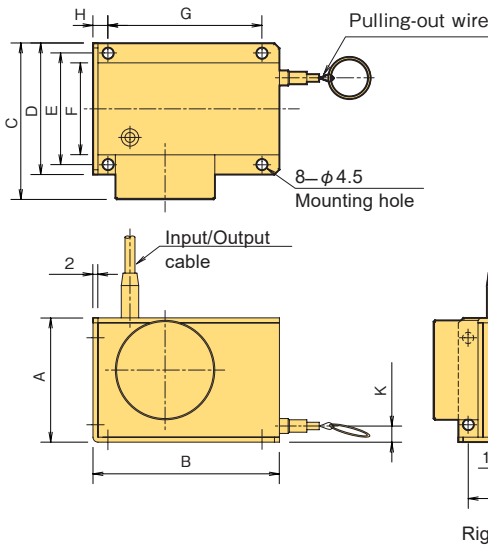
The DP-G / E displacement transducer is used to measure a large amount of displacement. A stainless steel wire is drawn to measure displacement. The wire tension is constant in the same direction regardless of the amount of displacement. This is a small, lightweight, and high-accuracy transducer.

Protection ratings: IP 40 equivalent

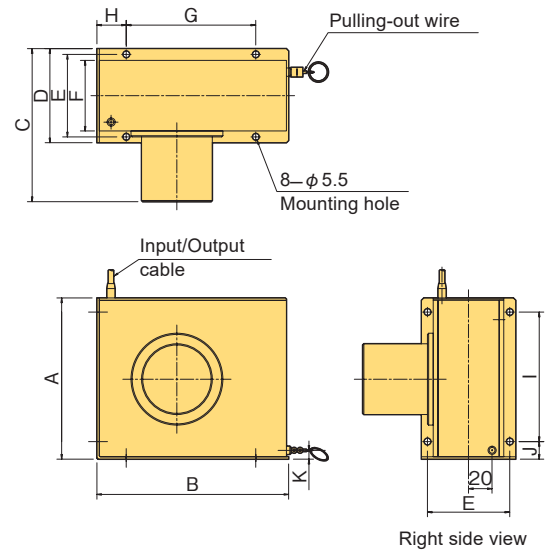


(for DP-G only)

DP-500G/-1000G/-2000G



DP-5000E



■ DIMENSIONS

TYPE	A	B	C	D	E	F	G	H	I	J	K
DP-500G	50	75	63	53	45	37	62	6	35	7	6.5
DP-1000G	50	75	63	53	45	37	62	6	35	7	6.5
DP-2000G	80	98	67	57	49	41	74	16	53	19	6.5
DP-5000E	137	163	130	80	70	60	110	25	110	15	7.5

■ SPECIFICATIONS

TYPE	DP-500G	DP-1000G	DP-2000G	DP-5000E
Capacity	500mm	1000mm	2000mm	5000mm
Rated Output	5mV/V(10000×10 ⁻⁶ strain) ±0.3%			
Sensitivity(x10 ⁻⁶ strain)/mm	20	10	5	2
Non-linearity	0.3%RO			
Spring force	1.5N	1.7N	2N	
Allowable temperature range	-10 ~ +80°C (no condensation)			
Input/Output resistance	Input 260Ω Output 350Ω		Input 200Ω Output 350Ω	
Recommended exciting voltage	2V or less			
Allowable exciting voltage	10V			
Weight	230g	230g	400g	1400g

Supplied cable : CT6-4V10/NJ-STB (φ 6mm 0.3mm² 4-coreshielded vinyl cable 10m)