

CLL-NA Compression Load Cell 500kN~1MN

Civil engineering design



Loading test on cylindrical concrete specimen

The CLL-NA with a flat loading platform is used to conduct loading tests on cylindrical concrete test specimens. A cylindrical concrete specimen can be directly set on the surface of the loading platform.

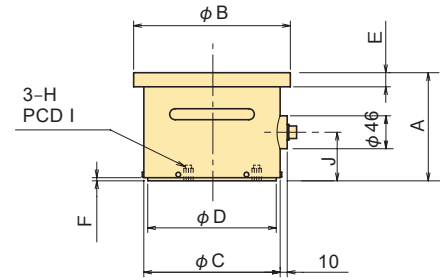
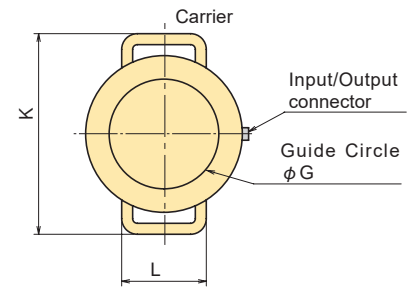
Protection ratings: IP65 equivalent

■ DIMENSIONS

TYPE	A	φB	φC	φD	E	F	φG	H	I	J	K	L
CLL-500KNA	115	160	140	130	25	1	102	M10 DP10	80	45	-	-
CLL-1MNA	155	220	190	180	25	2	153	M12 DP15	124	65	280	120

■ SPECIFICATIONS

TYPE	CLL-500KNA	CLL-1MNA
Applicable specimen	φ 10 x 20cm	φ 15 x 30cm
Capacity	500kN	1MN
Rated Output	1.5mV/V (3000×10 ⁻⁶ strain) ±0.5%	
Non-linearity	0.2%RO	
Hysteresis	0.2%RO	
Temperature effect on zero	0.01%RO/°C	
Temperature effect on span	0.01%/°C	
Compensated temperature range	-10 ~ +60°C	
Allowable temperature range	-20 ~ +70°C	
Over load	150%	
Input/Output resistance	350Ω±5%	
Recommended exciting voltage	10V or less	
Allowable exciting voltage	20V	
Zero balance	5%RO	
Weight	9kg	22kg



Supplied cable :

CT9-4N10/WP-STB (φ9mm 0.5mm² 4-core shielded chloroprene cable 10m)

CLH-NA Compression Load Cell 1~2MN

Civil engineering design



Loading test on cylindrical concrete specimen

The CLH-NA is designed mainly to test a cylindrical test specimen made of high-strength concrete. By using this load cell together with the compressometer, it is possible to measure load and strain simultaneously.

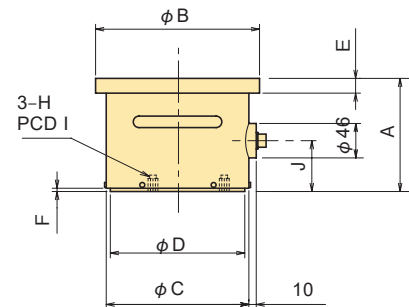
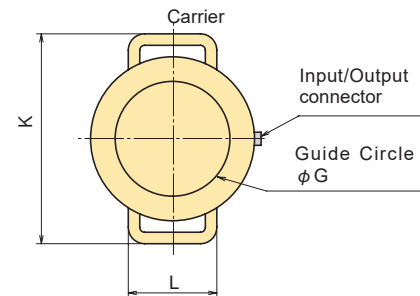
Protection ratings: IP65 equivalent

■ DIMENSIONS

TYPE	A	φB	φC	φD	E	F	φG	H	I	J	K	L
CLH-1MNA	115	160	140	130	25	1	102	M10 DP10	80	45	-	-
CLH-1.5MNA	137	195	170	160	25	2	127	M10 DP12	96	55	254	114
CLH-2MNA	155	220	190	180	25	2	153	M12 DP15	124	65	280	120

■ SPECIFICATIONS

TYPE	CLH-1MNA	CLH-1.5MNA	CLH-2MNA
Applicable specimen	φ 10 x 20cm	φ 12.5 x 25cm	φ 15 x 30cm
Capacity	1MN	1.5MN	2MN
Rated Output	1.5mV/V (3000×10 ⁻⁶ strain) ±0.5%		
Non-linearity	0.2%RO		
Hysteresis	0.2%RO		
Temperature effect on zero	0.01%RO/°C		
Temperature effect on span	0.01%/°C		
Compensated temperature range	-10 ~ +60°C		
Allowable temperature range	-20 ~ +70°C		
Over load	150%		
Input/Output resistance	350Ω±5%		
Recommended exciting voltage	10V or less		
Allowable exciting voltage	20V		
Zero balance	5%RO		
Weight	10kg	14kg	26kg



Supplied cable :

CT9-4N10/WP-STB (φ9mm 0.5mm² 4-core shielded chloroprene cable 10m)