

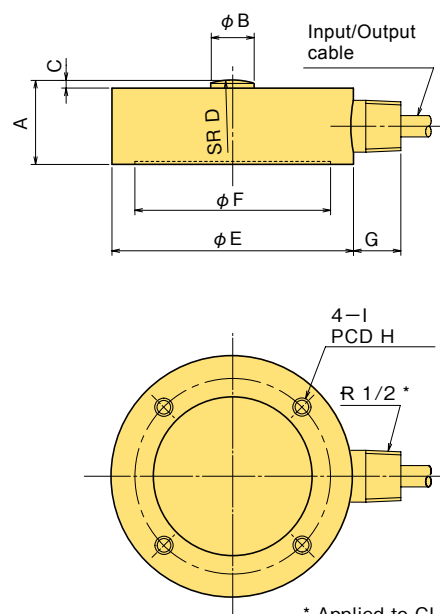
## CLG-NB Compression Load Cell 10~200kN



The CLG-NB is a high precision load cell in a thin, hermetically sealed package. It is widely used in tight spaces and as a system sensor for industrial machinery.

Protection ratings: IP67 equivalent

**Low profile**  
**Hermetically sealed**



\* Applied to CLG-50KNB ~ CLG-200KNB

### ■ DIMENSIONS

TYPE	A	φ B	C	D	φ E	φ F	G	H	I
CLG-10KNB	25	12	3	60	84	59	10	70	M5 DP8
CLG-20KNB	25	12	3	60	84	59	10	70	M5 DP8
CLG-50KNB	35	18	3	60	102	67	20	82	M8 DP10
CLG-100KNB	40	22	5	80	117	71	20	90	M8 DP10
CLG-200KNB	50	28	7	100	127	77	20	100	M8 DP10

### ■ FITTING ACCESSORY

TYPE	Spherical Cap FA	Mounting Flange FB	Slide Support FC
CLG-10KNB,-20KNB	FA-60	FB-2-70	FC-5-60
CLG-50KNB	FA-60	FB-5-82	FC-5-60
CLG-100KNB	FA-80	FB-10-90	FC-20-80
CLG-200KNB	FA-100	FB-20-100	FC-20-100

Refer to pages 32~35 for load cell fitting accessories.

### ■ SPECIFICATIONS

TYPE	CLG-10KNB	CLG-20KNB	CLG-50KNB	CLG-100KNB	CLG-200KNB
Capacity	10kN	20kN	50kN	100kN	200kN
Rated Output	2mV/V (4000×10 <sup>-6</sup> strain) ±0.5%				
Non-linearity	0.2%RO				
Hysteresis	0.2%RO				
Natural frequency	10kHz	13kHz	13kHz	13kHz	13kHz
Temperature effect on zero	0.01%RO/°C				
Temperature effect on span	0.005%/°C				
Compensated temperature range	-10 ~ +60°C				
Allowable temperature range	-20 ~ +70°C				
Over load	150%				
Input/Output resistance	350Ω±1%				
Recommended exciting voltage	6V or less				
Allowable exciting voltage	15V				
Zero balance	5%RO				
Weight	0.9kg	0.9kg	1.8kg	2.6kg	3.8kg

Input/Output cable : CLG-10KNB, 20KNB : φ6mm 0.35mm<sup>2</sup> 4-core shielded chloroprene cable 5m  
CLG-50KNB~200KNB : φ9mm 0.5mm<sup>2</sup> 4-core shielded chloroprene cable 5m