



# Reyrolle 7SR10 Platform

## Protecting grid with confidence

Catalog Reyrolle 7SR10 · Edition 19

**SIEMENS**

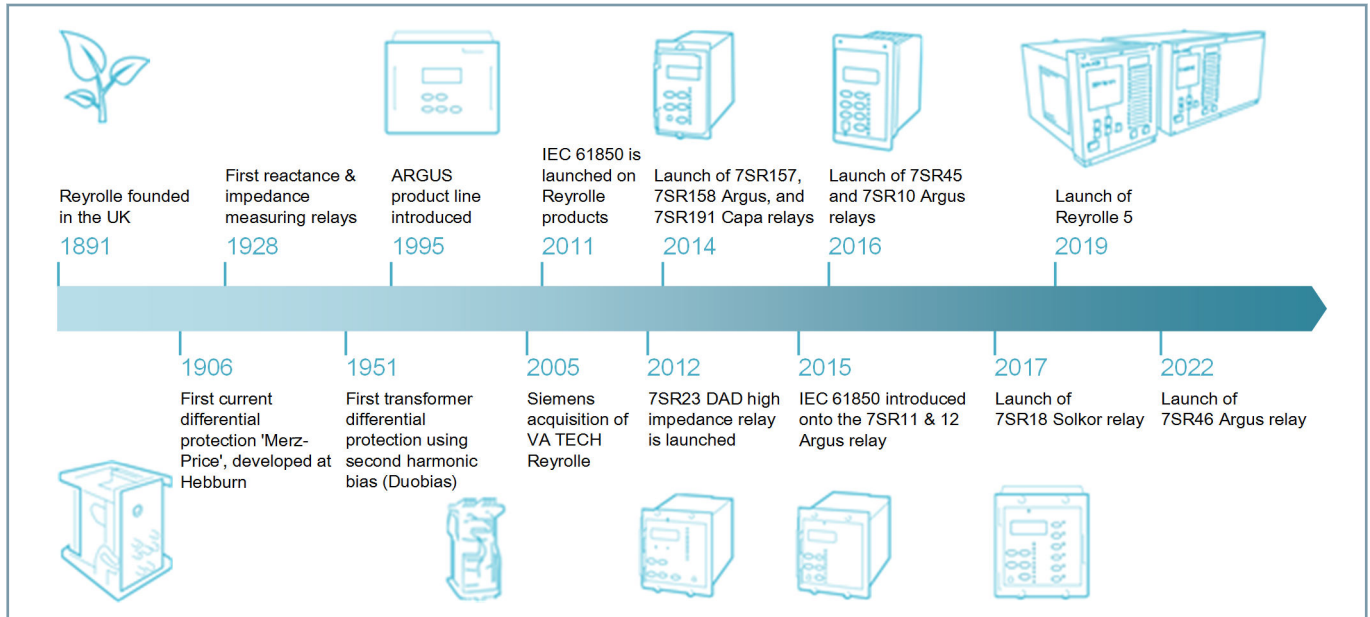


## Digital Grid Reyrolle 7SR10 Catalog

<b>Introduction</b>	<b>1</b>
<b>Devices and Application</b>	<b>2</b>
Function Overview	2.1
Reyrolle 7SR10 Overcurrent Relay	2.2
Reyrolle 7SR105 Motor Protection Relay	2.3
<b>System and Function Descriptions</b>	<b>3</b>
Protection Functions	3.1
Monitoring, and Data Acquisition and Recording	3.2
Communications	3.3
Hardware Construction	3.4
<b>Technical Data</b>	<b>4</b>
Connection Diagrams	4.1
Dimension Drawings	4.2
Technical Data	4.3
Ordering Information	4.4

# Introduction

## Reyrolle – Solutions for Distribution Grids



[dsw\_reyrolle history, 4, en\_US]

Figure 1/1 History of Reyrolle

Reyrolle has been synonymous with electrical protection devices in the sectors of transmission, distribution, and industrial applications for decades. Historically, Reyrolle relays were sold mainly in traditional markets but are now sold worldwide as part of the Siemens network.

Since its foundation, Reyrolle has been an innovation driver in product development – based on a strong focus on market, customer and technology. Worldwide established brand names such as Solkor and Argus demonstrate this. But there is more: A wide range of Reyrolle products has determined technological firsts in the market.

The comprehensive range of Reyrolle products provides the total protection requirements of distribution markets – ranging from overcurrent protection via transformer protection and voltage control to a full spectrum of auxiliary and trip relays. The portfolio includes many famous products such as Argus, Duobias, Solkor, Rho.

To serve specific needs in industrial applications, a range of proven products such as the overcurrent protection device Argus, the line differential protection device Solkor and the motor protection device Rho is offered.

Through successive generations, Reyrolle numerical products have been developed to increase value to system operators. This increase in value is the result of consistent development:

- Ease-of-use as a principle – our products allow flexible, easy operation through high user friendliness.
- One size fits all – the 4U housing height and the latest generation of numerical products features 1 A/5 A CT Input, and some models are provided with universal DC power supplies.

- Learn once, know all – the new product generation provides a similar look and feel as earlier products. If Reyrolle numerical devices have been previously used, there is a high consistency in both programming and interaction.
- With Reysdisp Evolution, a comprehensive software support toolkit for relay setting, fault interrogation and general system information is provided. It is backward-compatible with all previous Reyrolle numerical devices.



[dsw\_7sr10\_new\_color\_isoview, 1, \_en\_]

Figure 1/2 Front View 7SR10

## Device-Specific Overview of the Areas of Application

Main Function	Device	Article Number
<b>Overcurrent and Feeder Protection</b>		
<u>Overcurrent protection with control</u>	<u>7SR10 Argus</u>	This catalog (C53000-X7040-C021-1)
	7SR11/12 Argus	EMEA-C10028-00-76GB
	7SR21/22 Argus	EMEA-C10030-00-76GB
	7SR51	C53000-X7040-C022-1
<b>RMU Protection</b>		
Self-powered overcurrent protection	7SR45 Argus	EMEA-C10020-00-76GB
	7SR46	C53000-X7040-C103-1
<b>Line Protection</b>		
Line differential protection with control	7SR18 Solkor	EMDG-C10087-00-76GB
<b>Transformer Differential Protection</b>		
Transformer differential protection with control and monitoring	7SR242 Duobias	EMEA-C10035-00-76GB
	7SR54	C53000-X7040-C022-1
<b>Motor Protection</b>		
<u>Motor protection with control</u>	<u>7SR105 Rho</u>	This catalog (C53000-X7040-C021-1)
	7SR17 Rho	EMEA-C10037-00-76GB
	7SR57	C53000-X7040-C022-1
<b>Voltage and Frequency Protection</b>		
Applicable for system decoupling, load shedding and load restoration	7SR158 Argus	EMEA-C10033-00-76GB
<b>Synchronization</b>		
Synchronization	7SR157 Argus	EMEA-C10032-00-76GB
<b>Distribution-System Automation</b>		
Protection and automation for overhead lines	7SR224 Argus	EMEA-C10031-00-76GB
<b>Capacitor-Bank Protection</b>		
Capacitor-bank protection	7SR191 Capa	EMEA- C10036-00-76GB
<b>High-Impedance Protection</b>		
High-impedance protection	7SR23 DAD	EMEA-C10034-00-76GB

The Reyrolle product range offers a wide variety of protection devices. The table above lists all of the devices available and the main application with protection type.

# Devices and Application

## Function Overview

ANSI	Functions	7SR10	7SR105
	Protection functions for 3-pole tripping	■	■
14	Locked-rotor protection		■
27	Undervoltage protection – 3-phase	●	
32	Power protection	●	
32S	Sensitive power protection	●	
37	Undercurrent protection – phase	●	■
37G	Undercurrent earth fault – measured	●	
37SEF	Undercurrent earth fault - sensitive	●	
46	Unbalanced-load protection		■
46BC	Broken conductor detection	■	
46NPS	Negative sequence overcurrent protection	■	
46PhRev	Phase reversal		■
47NPS	Sequence overvoltage protection	●	
48	Starting-time supervision		■
49	Thermal overload protection	■	■
50	Instantaneous overcurrent – phase	■	■
50AFD	Arc flash detection	■	
50BCL	Circuit-breaker failure protection		■
50BF	Circuit-breaker failure protection – 3-pole	■	■
50G	Instantaneous earth fault – measured	■	■
50GLC	Line-check overcurrent protection	■	
50LC	Line check	■	
50N	Instantaneous earth fault – calculated	■	■
50SEF	Instantaneous sensitive earth fault – measured	■	■
50SEFLC	Line check sensitive earth fault – measured	■	
51	Time-delayed overcurrent – phase	■	■
51CL	Cold load overcurrent – phase	■	
51G	Time delayed earth fault – measured	■	■
51N	Time-delayed earth fault – calculated	■	■
51SEF	Time-delayed sensitive earth fault – measured	■	■
51V	Voltage-dependent overcurrent protection	●	
52	Circuit-breaker control	■	■
55	Power factor	●	
59	Overvoltage protection – 3-phase	■	
59N	Neutral voltage displacement	●	
60CTS	CT supervision	●	
60VTS	VT supervision	●	
64H	Restricted earth fault protection – high-impedance	●	
66	Number of starts		■
67	Directional overcurrent – phase	●	
67G	Directional earth fault – measured	●	
67N	Directional earth fault – calculated	●	
67SEF	Directional sensitive earth fault – measured	●	
67SEF	Directional sensitive earth fault – measured 3V0/I0, φ	■	
74CC	Closing-circuit supervision	■	■
74TC	Trip-circuit supervision	■	■
79	Automatic reclosing	●	
81	Frequency protection – "f>" or "f<"	●	
81B	Backspin monitor		■
81HBL2	Inrush current detection	■	
81_THD	Total harmonic distortion supervision	●	
86	Lockout	■	■

2.1

ANSI	Functions	7SR10	7SR105
TEMP	Temperature supervision		●
	Measured values	■	■
	Switching-statistic counters	■	■
	Circuit-breaker wear monitoring	■	■
	Logic editor	■	■
	External trip initiation	■	■
	Control	■	■
	Fault recording of analog and binary signals	100	100
	Faults records	15	15
	Sequence of events recorder	1000	1000
	Monitoring and supervision	■	■
	No. setting groups (max)	4	2
	Changeover of setting group	■	■
	Binary inputs (max)	9	6
	Binary outputs (max) incl. life contact	6	6
	RTD inputs (max)	–	6
	Current inputs (max)	4	4
	Voltage inputs (max)	3	–
	Size (x E)	4	4
	Display (lines)	4	4
	Push buttons	7	7
	LEDs (max)	10	10
	Pluggable terminal blocks	■	■
	Power supply unit variants	AC 60 V to 240 V/ DC 60 V to 240 V	AC 60 V to 240 V/ DC 60 V to 240 V
		DC 24 V to 60 V	
		DC 24 V to 240 V/ AC 48 V to 240 V	DC 24 V to 60 V
	Front operation panel	■	■
	IEC 60870-5-103	■	■
	Modbus RTU slave	■	■
	DNP3 serial	■	■
	Time synchronisation	■	■

■ Basic function (included by default)

● Optional

The Reyrolle 7SR10 Platform devices come equipped with numerous protection functions and features. A full list of these can be seen in the table above.

# Devices and Application

## Reyrolle 7SR10 Overcurrent Relay

### Description

The Reyrolle 7SR10 Argus is an overcurrent and earth fault relay intended as a reliable and simple protection solution for distribution systems and industrial applications. Depending on the device variant, it has non-directional or, with an additional voltage input, directional protection functions.

2.2

The optional conformal coating of the PCB assemblies provides protection against harmful environmental influences such as extreme humidity, corrosive gases and aggressive dust.

<b>Main Function</b>	Feeder protection, monitor and control for distribution and industrial networks	
<b>Inputs and Outputs</b>	4CT	3 binary inputs, 3 binary outputs and 10 LEDs
	4CT	6 or 9 binary inputs, 6 binary outputs and 10 LEDs
	4CT and 3VT	9 binary inputs, 6 binary outputs and 10 LEDs
<b>Communication</b>	Front of the device: USB Rear of the device: RS485 (optional for remote connection)	
<b>Protocols</b>	IEC 60870-5-103, DNP3, or Modbus RTU	
<b>Housing</b>	Size 4, 4U high, flush-mounting housing	

### Benefits

- Circuit-breaker open and close fascia push button
- Protection settings can be viewed and edited from the fascia
- 9 user programmable tri-color LEDs
- Cold load protection
- 2 setting groups for non-directional relay
- 4 setting groups for directional relay
- Password protection– 2 levels<sup>1</sup>
- User programmable logic aided by 8 virtual inputs/outputs
- User specific curve
- Self monitoring
- Circuit-breaker tripping and maintenance counter
- Availability of the last 100 fault records
- Fault-record storage for 15 fault records (duration: 1 s)
- 20 character x 4 line backlit LCD
- Up to 1 000 event records with 1 ms resolution

### Functions

#### Protection Functions

- 27 Undervoltage protection – 3-phase
- 32 Power protection
- 32S Sensitive power protection
- 37 Undercurrent protection – phase
- 37G Undercurrent earth fault – measured
- 37SEF Undercurrent earth fault - sensitive
- 46NPS Negative sequence overcurrent protection



[0w\_7sr10\_new\_color\_isoview, 1, ...]

- 47NPS Sequence overvoltage protection
- 49 Thermal overload protection
- 50 Instantaneous overcurrent – phase
- 50AFD Arc flash detection
- 50G Instantaneous earth fault – measured
- 50GLC Line-check overcurrent protection
- 50LC Line check
- 50N Instantaneous earth fault – calculated
- 50SEF Instantaneous sensitive earth fault – measured
- 50SEFLC Line check sensitive earth fault – measured
- 51 Time-delayed overcurrent – phase
- 51CL Cold load overcurrent – phase
- 51G Time delayed earth fault – measured
- 51N Time-delayed earth fault – calculated
- 51SEF Time-delayed sensitive earth fault – measured
- 51V Voltage-dependent overcurrent protection
- 55 Power factor
- 59 Overvoltage protection – 3-phase
- 59N Neutral voltage displacement
- 64H Restricted earth fault protection – high-impedance
- 67 Directional overcurrent – phase
- 67G Directional earth fault – measured
- 67N Directional earth fault – calculated
- 67SEF Directional sensitive earth fault – measured
- 67SEF Directional sensitive earth fault – measured 3V0/I0, φ
- 81 Frequency protection – "f>" or "f<"

#### Supervision Functions

- 46BC Broken conductor detection
- 50BF Circuit-breaker failure protection – 3-pole
- 60CTS CT supervision
- 60VTS VT supervision
- 74CCS Closing-circuit supervision

<sup>1</sup> This password is a confirmation ID for settings change and control functions.



- 74TCS Trip-circuit supervision
- 81HBL2 Inrush current detection
- 81I\_THD Total harmonic distortion supervision

### Control Functions

- 52 Circuit-breaker control
- 86 Lockout
- 79 Automatic reclosing

### Additional Functions

- User-programmable logics
- User-defined curves

### Communications

- IEC 60870-5-103
- MODBUS RTU
- DNP 3.0

### Reydisp Software

The user-friendly PC software ensures a smooth installation providing an efficient and intuitive operation of the relay.

### Applications

- Feeder overcurrent protection
- Backup protection
- Compact station, for example, ring-system switchgears
- Protection against harmonic injection into grid by non conventional sources of energy
- Focus on applications in the field of renewable energy
- Industry medium voltage and low voltage applications

### Application

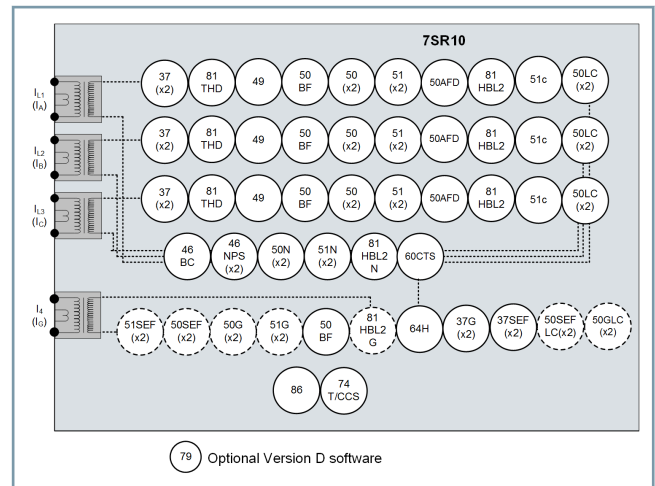
The Reyrolle 7SR10 overcurrent relay is a numerical overcurrent protection relay intended for use in the distribution and industrial networks. It provides extensive functions for a range of applications and is particularly characterized by a simple and intuitive operation, which significantly reduces the time required for installation, engineering, parameterization, wiring, and commissioning.

The Reyrolle 7SR10 consists of overcurrent and earth fault protection functions with additional voltage inputs providing directional, voltage, frequency, and power protection functions.

A large number of measured values can be read via the display on the front of the device or remote access via the communication interface.

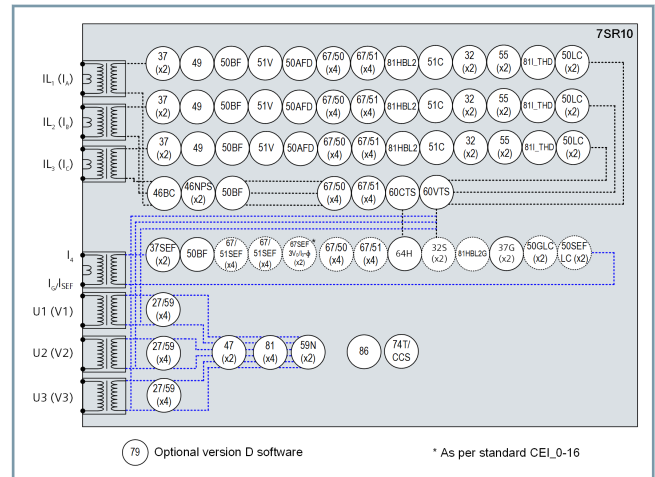
The integrated control feature allows the operation of a single circuit-breaker and the monitoring of its trip and closed circuits.

### Reyrolle 7SR10 Functional Diagram



[to\_7SR10 non-directional functional diagram, 3, en\_US]

Figure 2.2/1 Reyrolle 7SR10 Non-Directional Overcurrent Relay



[to\_7SR10 directional functional diagram, 5, en\_US]

Figure 2.2/2 Reyrolle 7SR10 Directional Overcurrent Relay

# Devices and Application

## Reyrolle 7SR10 Overcurrent Relay

### Function Matrix

2.2

ANSI	Functions	7SR1002/3-1 ***0-2CA0	7SR1002/3-2 ***0-2CA0	7SR1002/3-1 ***0-2DA *	7SR1002/3-2 ***0-2DA0	7SR1004-3**20-2CA0	7SR1004-4**20-2CA0	7SR1004-3**20-2DA0	7SR1004-4**20-2DA0	7SR1004-5**20-2CA0
<b>PROTECTION</b>										
27	Undervoltage protection – 3-phase					■	■	■	■	■
32	Power protection					■	■	■	■	■
32S	Sensitive power protection						■		■	■
37	Undercurrent protection – phase	■	■	■	■	■	■	■	■	■
37G	Undercurrent earth fault – measured	■		■		■		■		
37SEF	Undercurrent earth fault - sensitive		■		■		■		■	■
46NPS	Negative sequence overcurrent protection	■	■	■	■	■	■	■	■	■
47NPS	Sequence overvoltage protection					■	■	■	■	■
49	Thermal overload protection	■	■	■	■	■	■	■	■	■
50	Instantaneous overcurrent – phase	■	■	■	■	■	■	■	■	■
50AFD	Arc flash detection	■	■	■	■	■	■	■	■	■
50G	Instantaneous earth fault – measured	■		■		■		■		
50GLC	Line-check overcurrent protection	■				■				
50LC	Line check	■	■			■	■			■
50N	Instantaneous earth fault – calculated	■	■	■	■	■	■	■	■	■
50SEF	Instantaneous sensitive earth fault – measured		■		■		■		■	■
50SEFLC	Line check sensitive earth fault – measured		■				■			■
51	Time-delayed overcurrent – phase	■	■	■	■	■	■	■	■	■
51CL	Cold load overcurrent – phase	■	■	■	■	■	■	■	■	■
51G	Time delayed earth fault – measured	■		■		■		■		
51N	Time-delayed earth fault – calculated	■	■	■	■	■	■	■	■	■
51SEF	Time-delayed sensitive earth fault – measured		■		■		■		■	■
51V	Voltage-dependent overcurrent protection					■	■	■	■	■
55	Power factor					■	■	■	■	■
59	Overvoltage protection – 3-phase					■	■	■	■	■
59N	Neutral voltage displacement					■	■	■	■	■
64H	Restricted earth fault protection – high-impedance	■	■	■	■	■	■	■	■	■
67	Directional overcurrent – phase					■	■	■	■	■
67G	Directional earth fault – measured					■		■		
67N	Directional earth fault – calculated					■	■	■	■	■
67SEF	Directional sensitive earth fault – measured						■		■	■
67SEF	Directional sensitive earth fault – measured 3V0/I0, φ									■
81	Frequency protection – "f>" or "f<"					■	■	■	■	■
<b>SUPERVISION</b>										
46BC	Broken conductor detection	■	■	■	■	■	■	■	■	■
50BF	Circuit-breaker failure protection – 3-pole	■	■	■	■	■	■	■	■	■
60CTS	CT supervision	■	■	■	■	■	■	■	■	■
60VTS	VT supervision					■	■	■	■	■
74CC	Closing-circuit supervision	■	■	■	■	■	■	■	■	■
74TC	Trip-circuit supervision	■	■	■	■	■	■	■	■	■
811_THD	Total harmonic distortion supervision	■	■	■	■	■	■	■	■	
81HBL2	Inrush current detection <sup>2</sup>	■	■	■	■	■	■	■	■	■

<sup>2</sup> Not applicable for SEF CT

ANSI	Functions	7SR1002/3-1***0-2CA0	7SR1002/3-2***0-2CA0	7SR1002/3-1***0-2DA*	7SR1002/3-2***0-2DA0	7SR1004-3**20-2CA0	7SR1004-4**20-2CA0	7SR1004-3**20-2DA0	7SR1004-4**20-2DA0	7SR1004-5**20-2CA0
<b>CONTROL</b>										
52	Circuit-breaker control	■	■	■	■	■	■	■	■	■
79	Automatic reclosing			■	■			■	■	
86	Lockout	■	■	■	■	■	■	■	■	■
	User-programmable logic and user-defined curves	■	■	■	■	■	■	■	■	■

■ Basic function (included by default)

# Devices and Application

## Reyrolle 7SR105 Motor Protection Relay

### Description

The Reyrolle 7SR105 relay is a numerical protection relay intended for use in motor protection applications. It provides extensive functions for a range of applications and is particularly characterized by a simple and intuitive operation, which significantly reduces the time required for installation, engineering, parameterization, wiring, and commissioning.

The optional conformal coating of the PCB assemblies provides protection against harmful environmental influences such as extreme humidity, corrosive gases and aggressive dust.

2.3

<b>Main Function</b>	Feeder protection, monitor and control for distribution and industrial networks	
<b>Inputs and Outputs</b>	4 CT	6 binary inputs and 6 binary outputs
	4 CT	6 temperature inputs, 6 binary inputs, and 6 binary outputs
<b>Communication</b>	Front of the device: USB (for configuration via Reydisp)	
	Rear of the device: RS485	
<b>Protocols</b>	IEC 60870-5-103, DNP3, or Modbus RTU	
<b>Housing</b>	Size 4, 4U high, flush-mounting housing	

### Benefits

- 2 settings groups
- Password protection – 2 levels<sup>3</sup>
- User-programmable logic
- Self monitoring
- Circuit-breaker tripping and maintenance counter
- Acquisition of tripping time
- Motor start/stop control
- Up to 1 000 events records with 1 ms resolution
- Protection settings can be viewed and edited from the fascia
- 9 user programmable tri-color LEDs
- Availability of the last 100 fault records
- Fault-record storage for 15 fault records (duration: 1 s)
- 20 character x 4 line backlit LCD

### Functions

#### Protection Functions

- 27 Locked-rotor protection
- 37 Undercurrent protection – phase
- 46 Unbalanced-load protection
- 48 Starting-time supervision
- 49 Thermal overload protection
- 50 Instantaneous overcurrent – phase
- 50G Instantaneous earth fault – measured
- 50N Instantaneous earth fault – calculated
- 51 Time-delayed overcurrent – phase
- 51G Time delayed earth fault – measured



[dw\_7SR105\_iso\_pro\_newcolor\_1\_---]

Figure 2.3/1 Reyrolle 7SR105 Device

- 51N Time-delayed earth fault – calculated
- 66 Number of starts

#### Supervision Functions

- 46PhRevPhase reversal
- 50BCL Circuit-breaker failure protection
- 50BF Circuit-breaker failure protection – 3-pole
- 74CC Closing-circuit supervision
- 74TC Trip-circuit supervision
- 81B Backspin monitor
- Temperature supervision
- Circuit-breaker wear monitoring

#### Control Functions

- 52 Circuit-breaker control
- 86 Lockout
- Motor start/stop control
- User-programmable logic

#### Communications

- IEC 60870-5-103
- MODBUS RTU
- DNP3

#### Reydisp Software

The user-friendly PC software ensures a smooth installation providing an efficient and intuitive operation of the relay.

#### Applications

- Motor protection for industrial applications
- Sewage, water treatment plants and pumping stations
- Conveying systems
- Typically for current based protection of motors less than 1 MW

<sup>3</sup> This password is a confirmation ID for settings change and control functions.

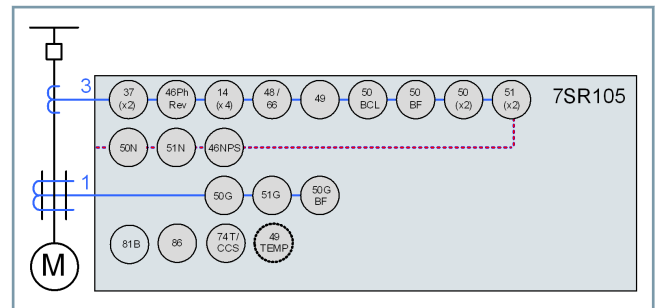
### Application

The Reyrolle 7SR105 Rho motor protection relay is a numerical protection relay intended for use in the motor protection applications. It provides extensive functions for a range of applications and is particularly characterized by a simple and intuitive operation, which significantly reduces the time required for installation, engineering, parameterization, wiring, and commissioning.

A large number of measured values can be read via the display on the front of the device or remote access via the communication interface.

The integrated control feature allows the safe operation of a motor and monitoring of start and stop operations.

### Reyrolle 7SR105 Functional Diagram



[io\_7SR105 functional diagram, 2, en\_US]

Figure 2.3/2 Reyrolle 7SR105 Rho Motor Protection Relay

### Function Matrix

ANSI	Functions	7SR1053-2* A21-2EAO	7SR1053-2LA22-2FAO
<b>Protection Functions</b>			
14	Locked-rotor protection	■	■
37	Undercurrent protection – phase	■	■
46	Unbalanced-load protection	■	■
48	Starting-time supervision	■	■
49	Thermal overload protection	■	■
50	Instantaneous overcurrent – phase	■	■
50G	Instantaneous earth fault – measured	■	■
50N	Instantaneous earth fault – calculated	■	■
51	Time-delayed overcurrent – phase	■	■
51G	Time delayed earth fault – measured	■	■
51N	Time-delayed earth fault – calculated	■	■
66	Number of starts	■	■
<b>Supervision</b>			
46PhRev	Phase reversal	■	■
50BCL	Circuit-breaker failure protection	■	■
50BF	Circuit-breaker failure protection – 3-pole	■	■
74CC	Closing-circuit supervision	■	■
74TC	Trip-circuit supervision	■	■
81B	Backspin monitor	■	■
TEMP	Temperature supervision	■	■
<b>Control</b>			
86	Lockout	■	■
	Motor start/stop control	■	■
	User-programmable logic	■	■

■ Basic function (included by default)

# System and Function Descriptions

## Protection Functions

### 14 Locked-Rotor Protection

Each element has a single definite time overcurrent characteristic with settings for pickup level and definite time lag (DTL) delays.

Operation can be controlled from motor stopped or running conditions.

### 27 Undervoltage Protection – 3-Phase

Each element has settings for pickup level, drop-off level and DTL delays. Operation occurs if voltage is below setting for duration of delay.

### 32 Power Protection

Each element has settings for pickup level, DTL delay and direction. Each element can be set as under or over power, to operate from apparent, real or reactive power and can be set for any phase or all 3 phases.

### 32S Sensitive Power Protection

This is provided in 4 pole SEF relays and provides elements operated by single phase measured current in the  $I_{SEF}$  input. Each element has settings for pickup level, DTL delay and direction. Each element can be set as under or over power, to operate from apparent, real or reactive power.

### 37 Undercurrent Protection – Phase

Each element has settings for pickup level and DTL delays. Operation occurs if current falls below setting for duration of delay.

### 37G Undercurrent Earth Fault - Measured

Each element has settings for pickup level and DTL delays. Operation occurs if current falls below setting for duration of delay.

### 37SEF Undercurrent Earth Fault – sensitive

Each element has settings for pickup level and DTL delays. Operation occurs if current falls below setting for duration of delay.

### 46BC Broken Conductor Protection

This element has settings for pickup level and DTL delay. With the circuit breaker closed, if the NPS: PPS current ratio is above setting this could be due to a broken conductor.

### 46 Unbalanced-Load Protection

Unbalance or unbalanced load has a significant impact on the heating of an engine.

2 phase unbalance measurement modes are available. Either NPS current or the difference between maximum and minimum phase currents can be used for detecting the unbalanced load. Inverse or definite time operation can be selected.

### 46PhRev Phase Reversal

Each element has a setting for pickup level and DTL delay. If the ratio of NPS and PPS current is above the set value, then this operation occurs. A high value indicates incorrect current phase rotation and this is used to prevent inadvertent reverse operation of the motor.

### 46NPS Negative Sequence Overcurrent Protection

Each element has user settings for pickup level and IDMTL or DTL delay. The element operates if NPS current exceeds setting and delay. NPS current elements can be used to detect unbal-

ances on the system or remote earth faults when a delta-star transformer is in circuit.

### 47NPS Sequence Overvoltage Protection

Each element has settings for pickup level and DTL delays. Operation occurs if NPS voltage exceeds setting for duration of delay.

### 48 Starting-Time Supervision

The feature provides settings to control both the number of times a motor can be started within a specified time period and the minimum time between starts. Motor starting can be inhibited when this limit is reached.

Motor start time can also be monitored.

### 49 Thermal Overload Protection

The thermal algorithm calculates the thermal states from the measured currents and can be applied to lines, cables and transformers. Alarm outputs are given for thermal overload and thermal capacity.

### 49 Thermal Overload Protection – Rotating Field

The operating curves take into account the effects of present loading, prior loading and unbalanced currents on the motor operating temperature. A user definable thermal curve is selectable to allow matching of the relay thermal characteristic to all motor and cooling system types. 'Starting' and 'cooling' constants modify the thermal characteristic during motor run-up and stopped conditions.

### 50 Instantaneous Overcurrent – Phase

50 INST/DTL elements provide overcurrent protection, each with independent settings for pickup current and time delays.

### 50AFD Arc Flash Detection

The Reyrolle 7SR10 relays can be used with the 7XG31 ReyArc range of arc-flash detection devices. Arc fault protection is a technique employed for the fast clearance of arcing faults on busbars, within switchgear and associated cable boxes. The arc is detected by an optical sensor connected to a signal input of the protection device which also monitors the load current of the equipment. A trip signal can be achieved in less than 10 ms using arc detection only or within 20 ms when using overcurrent check.

7XG31 ReyArc arc flash detection devices can be ordered separately.

### 50BCL Break Capacity Limit

A motor trip or contactor release should not be attempted if the short circuit current exceeds the breaking capacity.

If any phase current exceeds the breaking capacity setting then the relay blocks the operation of all contacts assigned as **General Trip**.

### 50BF Circuit-Breaker Failure Protection – 3-Pole

The circuit-breaker fail function can be activated by an internal trip signal or from a binary input. Line currents and earth currents are monitored following a trip signal and a signal is issued if any current is still detected above the setting after a specified time interval. Alternatively, if the trip is from a mechanical protection the circuit-breaker position can be used to determine a failure. A 2nd time delay is available to enable another stage to be utilized if required. An input is also available

to bypass the time delays when the circuit-breaker is known to be faulty.

### 50G Instantaneous Earth Fault – Measured

This function directly measures the earth current from an independent CT, or the residual connection of the 3 line CTs.

50G INST/DTL elements provide earth fault protection, each with independent settings for pickup current.

### 50GLC Line-Check Overcurrent Protection

This function prevents a CB being repeatedly manually closed onto a faulted line. It is enabled upon the Manual CB Close output being issued.

### 50LC Line Check

This function prevents a CB being repeatedly manually closed onto a faulted line. It is enabled upon the Manual CB Close output being issued.

### 50N Instantaneous Earth Fault – Calculated

This function derives the earth current internally from the 3 phase CT inputs to give earth fault.

2 earth fault measurement stages are available.

50N INST/DTL elements provide earth fault protection, each with independent settings for pickup current.

### 50SEF Instantaneous Sensitive Earth Fault – Measured

2 sensitive earth fault measurement stages are available. This function directly measures the earth current from an independent CT, or the residual connection of the 3 line CTs.

50SEF INST/DTL elements provide earth fault protection, each with independent settings for pickup current and time-delays.

### 50SEFLC Instantaneous Sensitive Earth Fault – Measured

This function prevents a CB being repeatedly manually closed onto a faulted line. It is enabled upon the Manual CB Close output being issued.

### 51 Time-Delayed Overcurrent – Phase

51 IDMTL/DTL elements provide overcurrent protection, each with independent settings for pickup current, time-multiplier (51) and time-delays. Users can select IEC or ANSI time current characteristics. The IDMT stage has a user selectable reset characteristic, either DTL or shaped reset characteristic to improve the grading with electromechanical protection.

### 51CL Cold Load Overcurrent – Phase

If a circuit-breaker is closed onto a cold load and is not powered for a prolonged period, then this condition imposes a higher than normal load-current demand on the system which could exceed normal settings. These conditions can exist for an extended period and must not be interpreted as a fault. In order to bridge this period and then use the optimal setting values in normal operation, the function Cold-load overcurrent protection uses alternative setting values for a defined time.

The feature resets when either the circuit-breaker has been closed for a settable period or if the current has reduced beneath a set level for a user set period.

### 51G Time-Delayed Earth Fault – Measured

2 earth fault measurement stages are available. This mode directly measures the earth current from an independent CT, or the residual connection of the 3 line CTs.

51G IDMTL/DTL elements provide earth fault protection, each with independent settings for pickup current, time-multiplier, and time-delays. Users can select IEC or ANSI time current characteristics. The IDMT stage has a user selectable reset characteristic either DTL or shaped reset characteristic to improve grading with electromechanical protection.

### 51N Time-Delayed Earth Fault – Calculated

2 earth fault measurement stages are available.

This function derives the earth current internally from the 3 phase CT inputs to give earth fault.

51N IDMTL/DTL elements provide earth fault protection, each with independent settings for pickup current, time-multiplier, and time-delays. User can select IEC or ANSI time current characteristics. The IDMT stage has a user selectable reset characteristic either DTL or shaped reset characteristic to improve grading with electromechanical protection.

### 51SEF Time-Delayed Sensitive Earth Fault – Measured

2 sensitive earth fault measurement stages are available. This function directly measures the earth current from an independent CT, or the residual connection of the 3 line CTs.

51SEF IDMTL/DTL elements provide earth fault protection, each with independent settings for pickup current, time-multiplier, and time-delays. Users can select IEC or ANSI time current characteristics. The IDMT stage has a user selectable reset characteristic either DTL or shaped reset characteristic to improve grading with electromechanical protection.

### 51V Voltage-Dependent Overcurrent Protection

Each phase shaped overcurrent element can be independently controlled by the level of measured input voltage. For applied voltages above setting, the 51-n element operates in accordance with its current setting but for voltages below the setting a multiplier is applied to reduce the 51-n pick up current setting.

### 55 Power Factor

For each stage, settings are available for the tripping stage (power-factor value below or exceeded), DTL delay and lead/lag direction. Each stage can also be set separately for each individual phase or for all 3 phases together.

### 59 Overvoltage Protection – 3 Phase

Each element has settings for pickup level, drop-off level and DTL delays. Operation occurs if voltage exceeds setting for duration of delay.

### 59N Neutral Voltage Displacement

Neutral overvoltage can be used to detect earth faults in high impedance earthed or isolated systems.

Operation occurs if the neutral voltage exceeds setting for duration of delay.

### 60CTS CT Supervision

The Reyrolle 7SR10 relay has 2 methods of CT supervision. The Reyrolle 7SR10 directional relay monitors each phase current

# System and Function Descriptions

## Protection Functions

input and operates if any one or two inputs fall below the setting. An additional method that considers the presence of negative phase sequence current, without an equivalent level of negative phase sequence voltage, for a user set time as a CT failure.

Both element types have user operate and delay settings.

### 60VTS VT Supervision

The VT supervision uses a combination of negative phase sequence voltage and negative phase sequence current to detect a voltage-transformer problem. This condition may be alarmed or used to inhibit voltage dependent functions.

Element has user operate and delay settings.

### 64H Restricted Earth-Fault Protection – High-Impedance

The measured earth current input may be used in a 64H Restricted earth fault protection – high-impedance scheme to provide an instantaneous tripping of the protection device. A calculation is required to determine the values of the external series stabilizing resistor and non-linear shunt resistor which can be ordered separately.

### 66 Number of Starts

The feature provides settings to control both the number of times a motor can be started within a specified time period and the minimum time between starts. Motor starting can be inhibited when this limit is reached.

Motor start time can also be monitored.

### 67 Directional Overcurrent – Phase

Phase overcurrent elements can be directionalized.

You can set phase overcurrent stage to forward, reverse, or non-directional.

Directional phase fault elements are determined by a quadrature voltage.

### 67G Directional Earth Fault – Measured

Measured earth fault elements can be directionalized.

You can set measured earth faults to forward, reverse, or non-directional.

The ground-fault function is determined by the zero-sequence voltage  $V_0$ .

### 67N Directional Earth Fault – Calculated

Calculated earth fault elements can be directionalized.

You can set calculated earth fault stage to forward, reverse, or non-directional.

You can set whether the ground-fault function is calculated by the zero-sequence or negative-sequence voltage.

### 67SEF Directional Sensitive Earth Fault – Measured

Sensitive earth fault element can be directionalized.

Each element can be set to forward, reverse, or non-directional.

Directional sensitive earth fault elements are determined by  $3V_0$ .

### 74CC Closing-Circuit Supervision

The close circuit(s) can be monitored via binary inputs.

### 74TC Trip-Circuit Supervision

The trip circuit(s) can be monitored via binary inputs. In case of a tripping-circuit error, a message is displayed on the on the operation panel of the device and, if required, issued via a contact output or via the communication interface.

### 79 Automatic Reclosing

A high proportion of faults on an overhead line network are transient and can be cleared quickly by high speed tripping followed by an automated circuit-breaker reclose sequence. The function provides independent phase fault and earth fault/sensitive earth fault sequences of up to 5 trips, that is 4 reclose attempts before lockout. The auto-reclose sequence can be initiated from internal protection operation or via binary input from an external protection.

### 81 Frequency Protection – "f>" or "f<"

Each element has settings for pickup level, drop-off level and DTL delays. Operates if frequency exceeds setting for duration of delay. Typically applied in load shedding schemes.

### 81B Backspin Monitor

To inhibit attempted restarting of the motor until after the rotor has completely stopped backspin protection is applied. Starting is inhibited until the time delay (81B) has elapsed.

### 81HBL2 Inrush Current Detection

Where second harmonic current is detected (for example, during transformer energization) user-selectable elements can be blocked and an alarm given.

### 81I THD Total Harmonic Distortion Supervision

Total harmonic distortion is the percentage of harmonics present in fundamental frequency current. The THD supervision calculates the 2<sup>nd</sup> to 15<sup>th</sup> harmonic currents, presents inline current and displayed in the 'Harmonic Meter' window as a percentage of fundamental frequency current. Separate THD threshold settings and time-delay settings are available.

### 86 Lockout

Output relays can be configured to self reset, pulsed or hand reset operation.

Output relays can be used to directly trip the circuit-breaker. The performance of relay contacts is limited, so the trip coil of the circuit breaker must be opened by an appropriately rated auxiliary contact, typically by a CB auxiliary relay.

### Temperature Supervision

Temperature-dependent resistance sensors (RTD sensors) can be connected via the temperature inputs. Up to 6 RTD sensors can be monitored. Provision to configure 7 types of RTD inputs (3 wire configuration). Temperature inputs can be configurable for alarm and trip application.



#### NOTE

Any one of the RTD type can be configured for all 6 temperature inputs.

### Programmable Logic

The user can map binary inputs, protection elements, LEDs and binary outputs together in a logical scheme.



Up to 4 logic equations can be defined using standard logic functions, for example timers, AND/OR gates, inverters and counters to provide the user required functionality.

Each logic equation output can be used for alarm and indication and/or tripping.

### User-Specific Curves

User specific curves can be configured in Reydisp Manager or using curve editor. The custom curve appears as an additional option in the setting **Char** using the name that is entered in Reydisp Manager for all elements for which the curve is applicable.

### Virtual Inputs/Outputs

There are 8 virtual inputs/outputs to provide internal logical states to assist in the application of the functions. Each virtual input/output can be assigned in the same way as a physical input/output.

### Circuit-Breaker Maintenance

2 circuit breaker operations counters are provided to assist with maintenance scheduling. The maintenance counter records the overall number of operations and the delta counter records the number of operations since the last reset.

An I<sup>2</sup>t summation counter provides a measure of the contact wear indicating the total energy interrupted by the circuit-breaker contacts.

Each counter has a user set target operations count which, when reached, can be mapped to raise alarms/binary outputs. A circuit-breaker trip time meter is also available, which measures the time between the trip or open command being issued and the auxiliary contacts changing state.

# System and Function Descriptions

## Monitoring, and Data Acquisition and Recording

### Monitoring

#### Self-Monitoring

The self monitoring supervision includes monitoring of power supply signals, code execution watchdog, memory checks by check sum and processor/ADC health checks and the relay is connected to an auxiliary power supply.

The **protection healthy** LED is illuminated when the power supply signals are healthy.

If the internal relay watchdog detects an internal fault then the LED will continuously flash. A changeover contact can be programmed via the binary input matrix to provide an external **protection healthy** signal.

If the relay detects an internal failure a message will be displayed on the LCD and the relay will reset in an attempt to rectify the failure.

#### Measured and Displayed Values

The following information is monitored and displayed in the menu.

Primary/secondary current phases and earth
Primary/secondary line and phase voltages
Direction of faults
Apparent power and power factor
Active power (import and export, Wh)
Reactive power (import and export, VARh)
Historical demand record
Positive-sequence voltage and current (PPS)
Negative-sequence voltage and current (NPS)
Zero-sequence voltage and current (ZPS)
Thermal equivalent and unbalanced currents
Total harmonic distortion
Frequency
Binary input/output status
Trip circuit healthy/failure
Time and date
Device starts
Fault records
Event records
Energy
Circuit-breaker tripping counters and time to trip
I <sup>2</sup> t summation for circuit-breaker wear
Thermal overload status monitoring
Temperature input values

### Data Acquisition and Recording

#### Sequence of Event Records

Up to 1000 events are stored and time tagged to 1 ms resolution.

#### Fault Records

The last 100 fault records (non-directional and directional relay, motor protection relay) are displayed on the relay fascia and are also available through the communication interface with time and date of trip, measured quantities and type of fault.

#### Waveform Records

The waveform recorder stores analogue data for all phases and the states of protection functions, binary inputs, LEDs, and binary outputs with user settable pre and post trigger data. A record can be triggered from protection function, binary input or via data communications. 15 records of 1 s duration are stored.

#### Demand Measurement

A rolling record of energy demand over the last 24 h is stored. The demand is averaged over a user selectable period of time. A rolling record of such demand values is stored and provides the demand history. A typical application is to record 15 min averages for the last 7 days.

#### Real-Time Clock

The time and date can be set and are maintained while the relay is de-energized by a capacitor. The time can be synchronized by a binary input or via the communication protocol.

### Serial Communications

The relay offers a USB serial port as standard on the front of all units. All of the relays functions can be set on a PC using the operating software via the USB port. The connection is made with a USB cable and operates with a “plug and play” connection, so no presetting of the relay is required.

The front port can be deactivated or set to use either the DNP3.0, MODBUS-RTU, IEC 60870-5-103, and ASCII protocols.

A rear RS485 electrical connection is optionally available on the relay for a connection to, for example, an RTU or to a SCADA system. An internal terminating resistor is provided, which can be connected into the circuit by adding a wire loop between the relevant terminals.

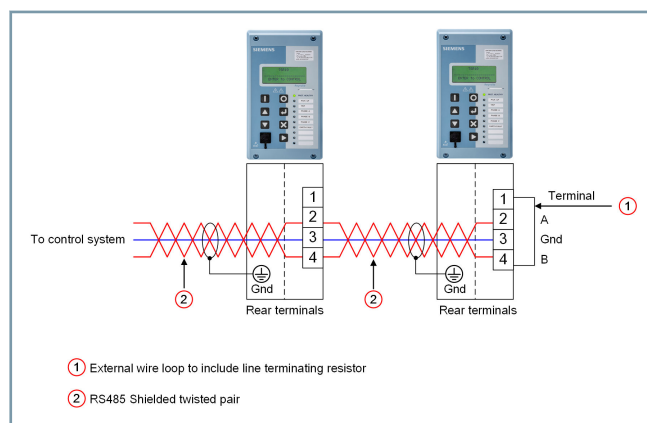


Figure 3.3/1 Typical RS485 Connection

The rear RS485 can be user selected to be OFF, IEC 60870-5-103, MODBUS RTU or DNP3.0 protocol.

### Language Editor

The language editor software gives the user the ability to customize the text displayed in the relays, menu structure and instrumentation views. The tool allows a language file to be created and transferred to the relay also containing western European characters.

The data acquisition via communication interface can be done by Reydisp Evolution.

### Communications Editor

To facilitate easier interfacing to a substation the relays default protocol configuration may be modified using the communication editor software tool.

The communication editor is a PC based software package provided within the Reydisp software suite which allows setting the IEC 60870-5-103, DNP 3.0 and MODBUS protocols.

### Reydisp Evolution

Reydisp Evolution is a Microsoft Windows based software tool. It is used to query and make settings, as well as retrieve events and fault records from the device. It can be used with all Reyrolle protection relays.

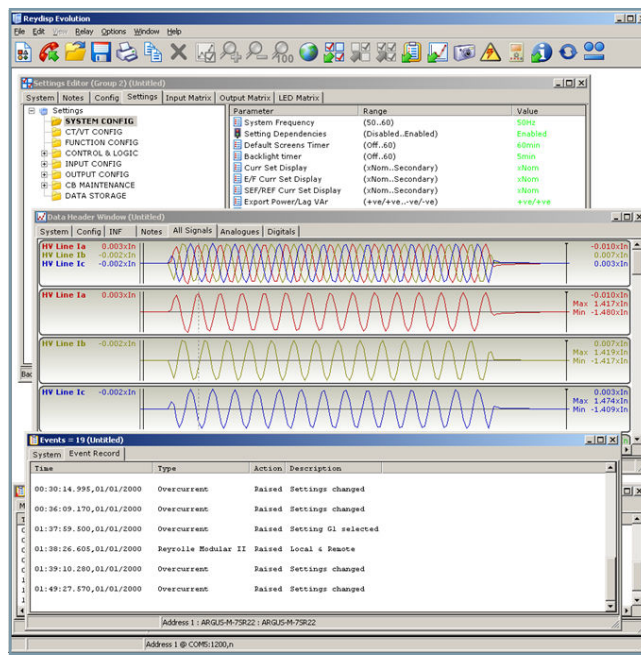


Figure 3.3/2 Typical Reydisp Evolution

### Reydisp Manager

Reydisp Manager is a Windows based application which enables configuration of multiple Reyrolle devices.

It provides the following features:

- Project based handling of all features of multiple devices to allow engineering of IEC 61850 projects
- Template based structure allowing offline configuration
- Configure and store device settings for all settings groups
- Create and edit graphical logic diagrams
- Configure data points and settings for serial protocols
- Configure language
- Configure user curves
- Update device firmware

Refer to the Reydisp Manager User Guide for further information.

# System and Function Descriptions

## Hardware Construction

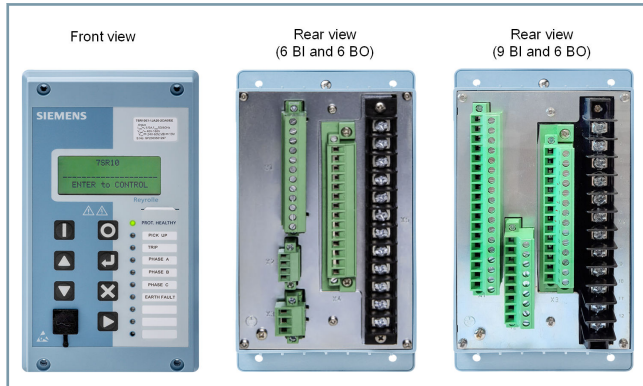
### Hardware Construction

The relay is housed in a non draw-out case 4U high, size 4 case.

The rear connection comprises of user friendly pluggable type terminals for wire connections for BI, BO, VT<sup>4</sup>, communication, temperature inputs<sup>5</sup>, and power supply.

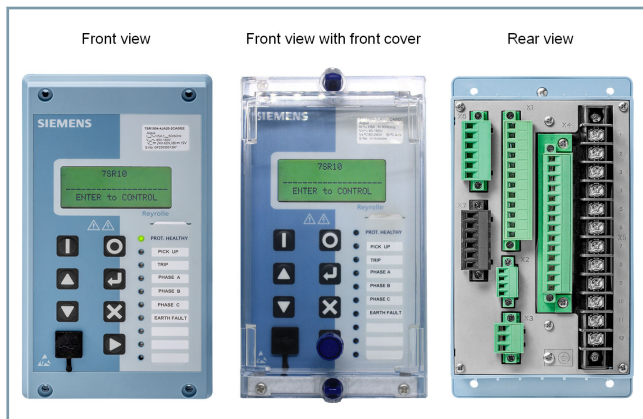
An optionally available, transparent cover on the front of the device with integrated push-buttons allows error messages to be reset without removing the cover.<sup>4</sup>

The CT terminals are suitable for ring-type lug connection to provide a secure and reliable connection.



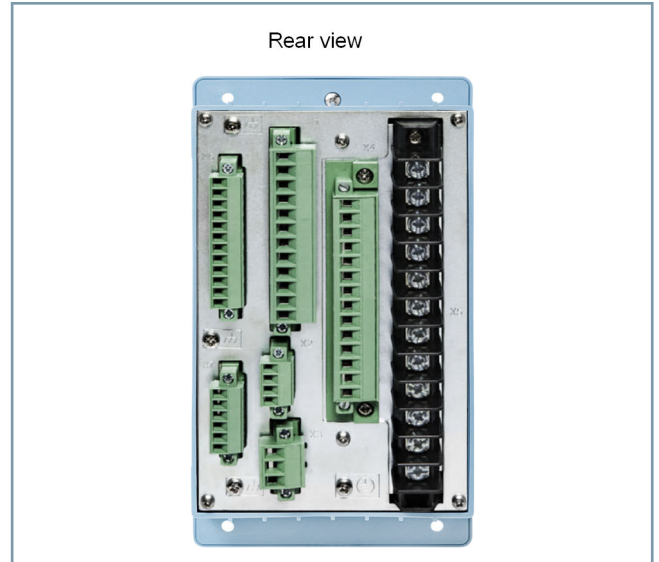
[sc\_7SR10 non-directional, 4, en\_US]

Figure 3.4/1 Reyrolle 7SR10 Non-Directional Relay



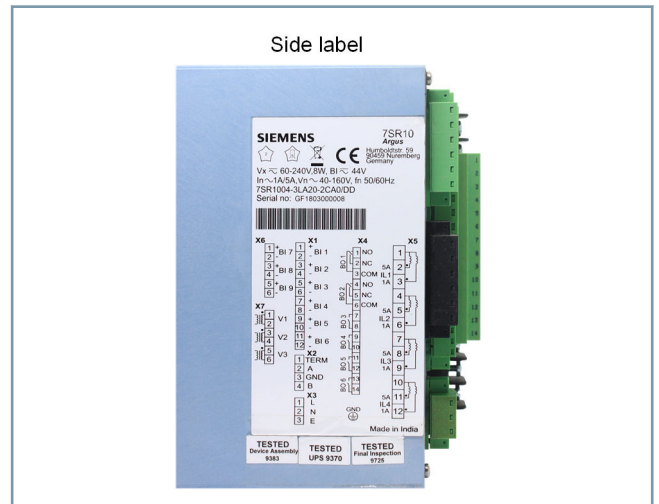
[sc\_7SR10 directional, 4, en\_US]

Figure 3.4/2 Reyrolle 7SR10 Directional Relay



[sc\_7SR105 motor protection relay, 3, en\_US]

Figure 3.4/3 Reyrolle 7SR105 Motor Protection Relay

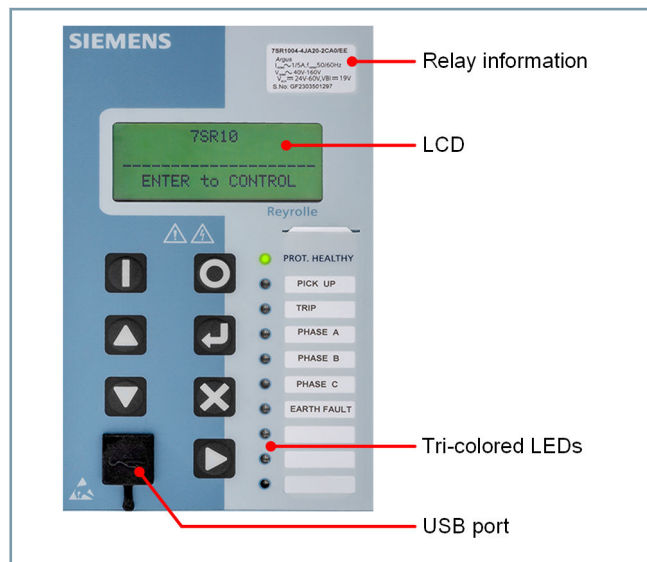


[sc\_7SR10 side label, 7, en\_US]

Figure 3.4/4 Reyrolle 7SR10 Relay Side Label

<sup>4</sup> Reyrolle 7SR10 only  
<sup>5</sup> Reyrolle 7SR105 only

### Operation Panel



[dw\_7SR10 user interface, 4, en\_US]

Figure 3.4/5 Operation Panel

The operation panel is designed to provide a user-friendly method of controlling, viewing menus, entering settings, and retrieving data from the relay. 5 push-buttons on the operation panel are provided for navigation around the menu.

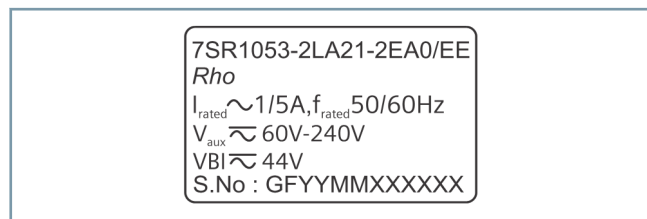
2 dedicated push-buttons are provided on the HMI to execute the circuit-breaker manual close and open operations on the Reyrolle 7SR10 or motor start/stop on the Reyrolle 7SR105.

#### LCD

A 4-line by 20-character LCD with power save operation indicates the relay identifier, settings, instrumentation, fault data and control commands. Up to 6 user programmable general alarms can be configured to display your own indications on the LCD.

#### Device Information

The device is identified by the rating label on the front fascia. The identifier of the device shown on the display can be changed if necessary by changing the **Relay Identifier**.



[dw\_relay info label, 2, -\_-]

Figure 3.4/6 Fascia Relay Rating Label

The label on the side of the unit shows the product code, serial number, relay description, details on the terminal assignment, and various safety symbols.

	QR code
	AC 2 kV insulation test of the voltage inputs, current inputs, and binary outputs
	5 kV impulse voltage test (type test) in compliance with Class III
	Electrical hazard
	European CE marking
	Caution, risk of danger Refer to device documentation before operation
	Waste Electrical and Electronic Equipment Directive (WEEE)
	Guideline for the Eurasian Market
	Mandatory Conformity Mark for Electronics and Electrotechnical Products in Morocco
	South Korea KC Certification for Electrical and Electronic Products
	United Kingdom (UK) Conformity Assessed marking

3.4

#### LEDs

A green steadily illuminated LED indicates the **Protection Healthy** condition. 9 users programmable LEDs are available eliminating the need for expensive panel-mounted LEDs and associated wiring. Each LED is tri-color (red, green, yellow) allowing for clear indication of the associated function state and has a label for identification/labeling.

#### Password Protection

The relay allows to set a 4-character configuration ID (shown as a **Password** in the relay display). If a confirmation ID has already been set, enter the confirmation ID to gain access to the editing mode for setting parameters.

#### General Alarms

Up to 4 general alarms of 16 characters can be configured to display a text message on the LCD. The general alarms can be triggered from one or more inputs.

#### Control Mode

The relay has a control menu with access to commonly used command operations. Access to the control commands is restricted by a 4 character control function confirmation ID (shown as a **Password** in the relay LCD). Each command requires a select then execute operation, if the execute operation is not performed within a time slot the command is aborted. The control mode supports the circuit-breaker operation control function only.

# System and Function Descriptions

## Hardware Construction

---

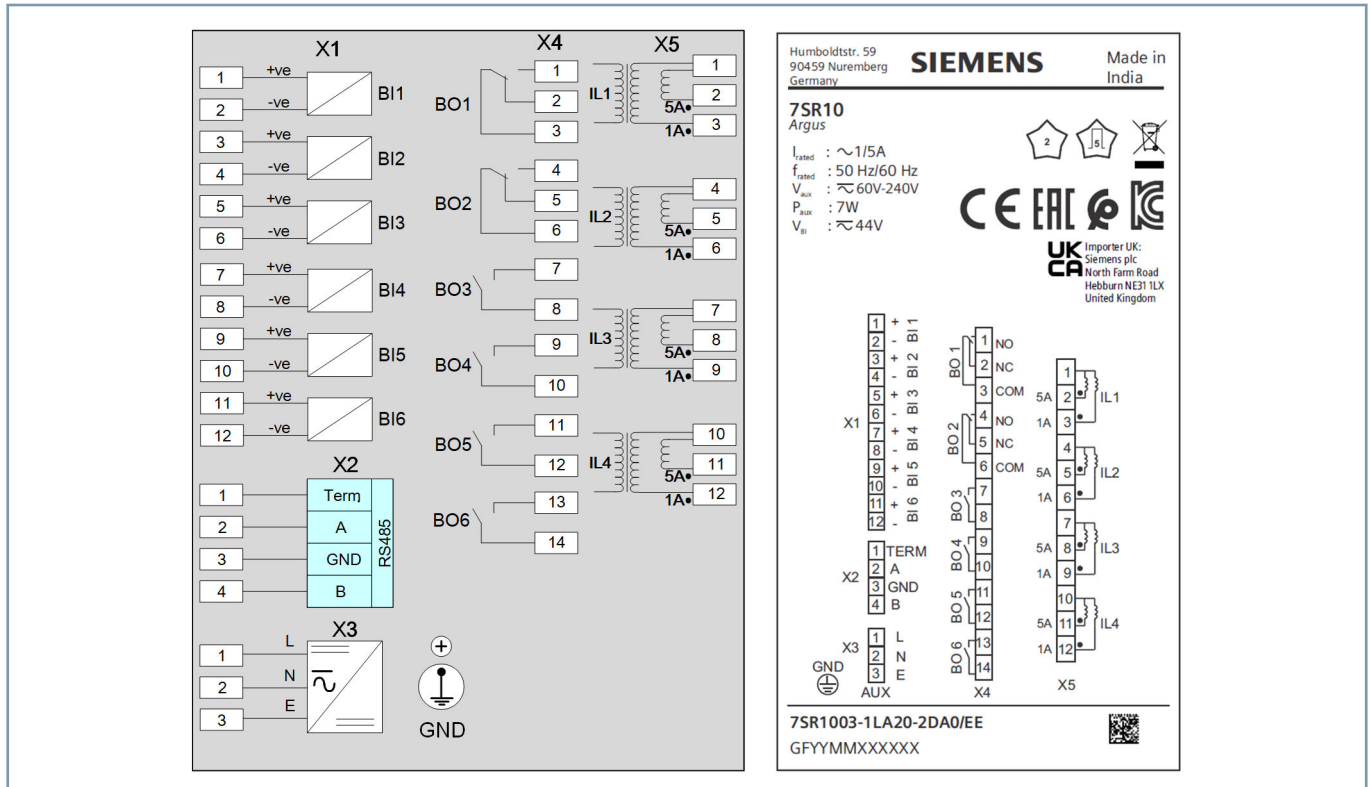
### Circuit Breaker Open/Close

The circuit-breaker control function is used to manually open and close the circuit breaker when connected. 2 dedicated push-buttons are provided on the front of the device to manually execute the circuit breaker close and open operations.

### Motor Start/Stop

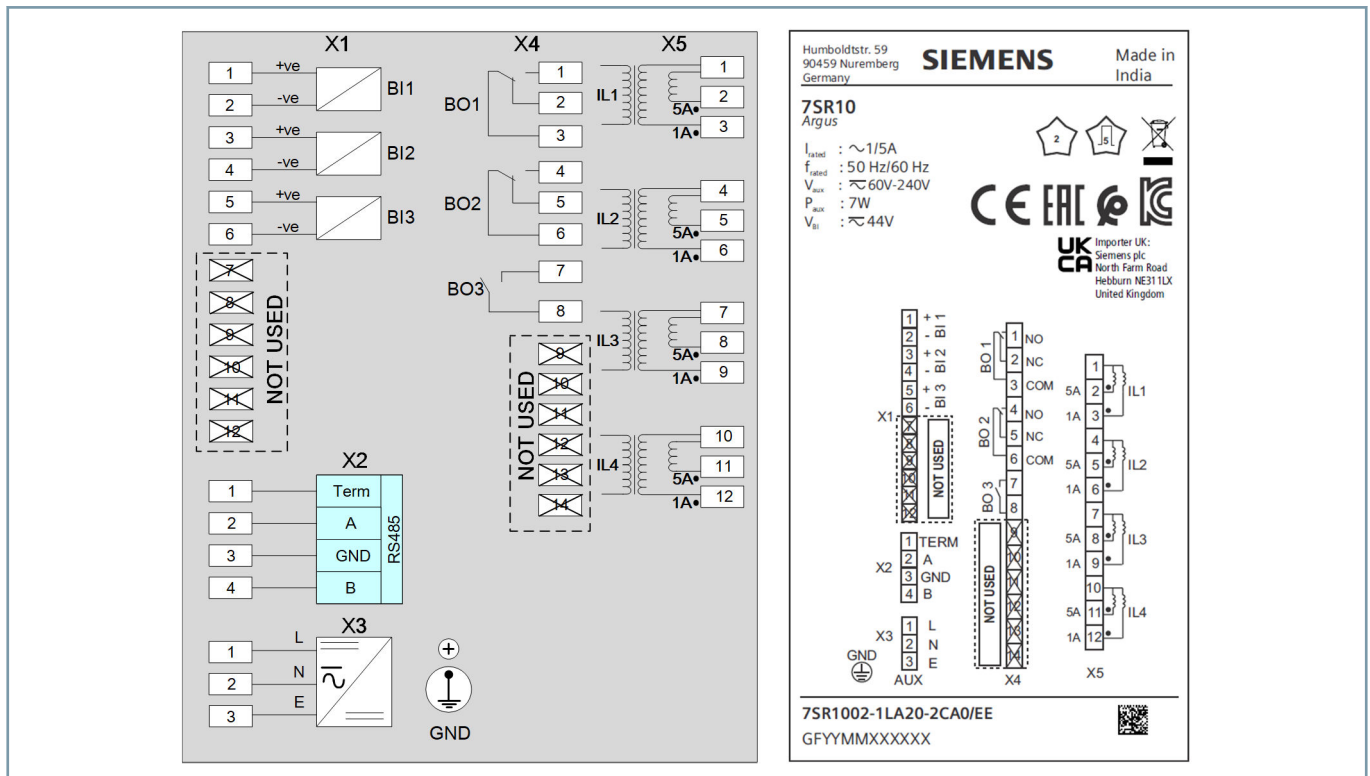
The motor control function is used to manually start and stop the motor when connected. 2 dedicated push-buttons are provided on the front of the device to manually execute the circuit-breaker close and open operations.

### Connection Diagrams



[02\_7SR10 non-directional terminal label/wiring diagram, 8\_en\_US]

**Figure 4.1/1** Terminal/Wiring Diagram of Reyrolle 7SR10 Non-Directional Overcurrent Relay

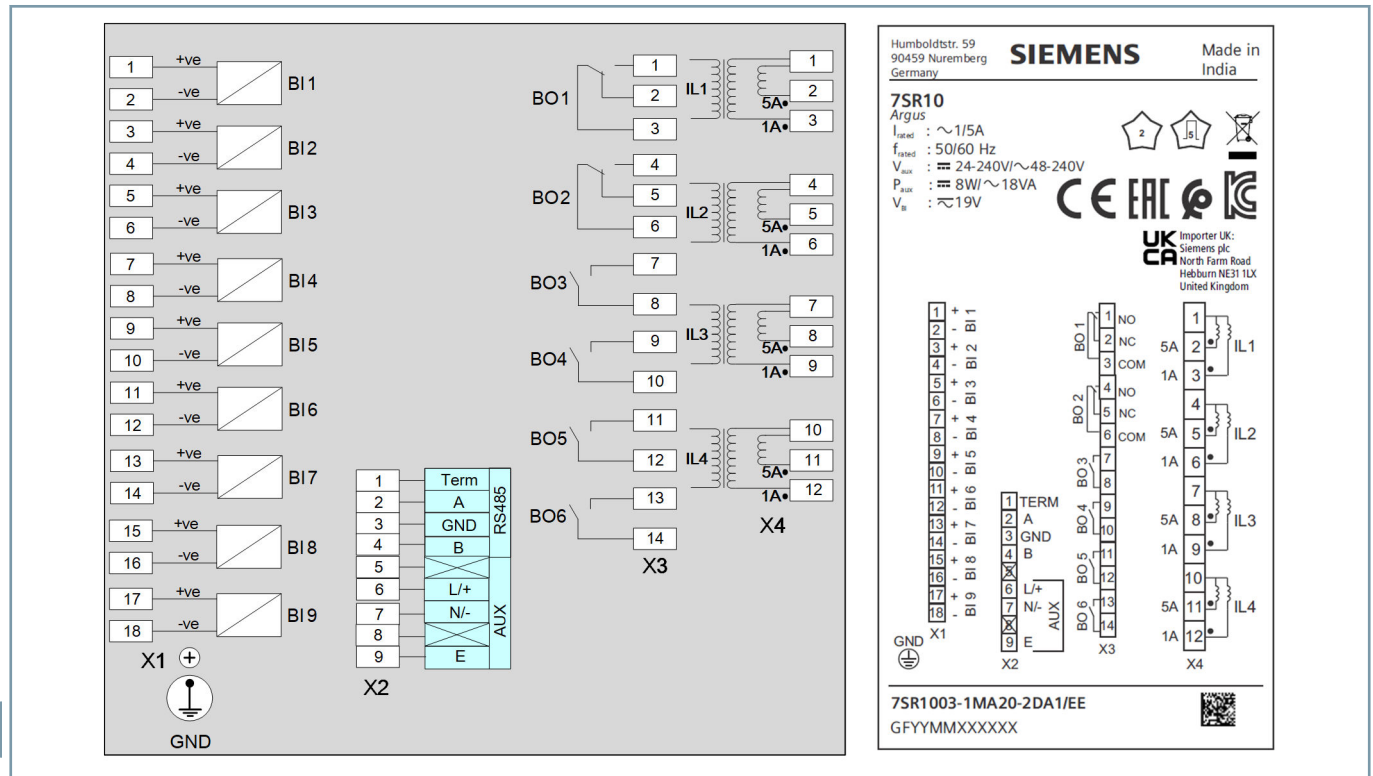


[02\_7SR10 non-directional terminal label/wiring diagram3BI-3BO, 2\_en\_US]

**Figure 4.1/2** Terminal/Wiring Diagram of Reyrolle 7SR10 Non-Directional Overcurrent Relay (3 BI, 3 BO)

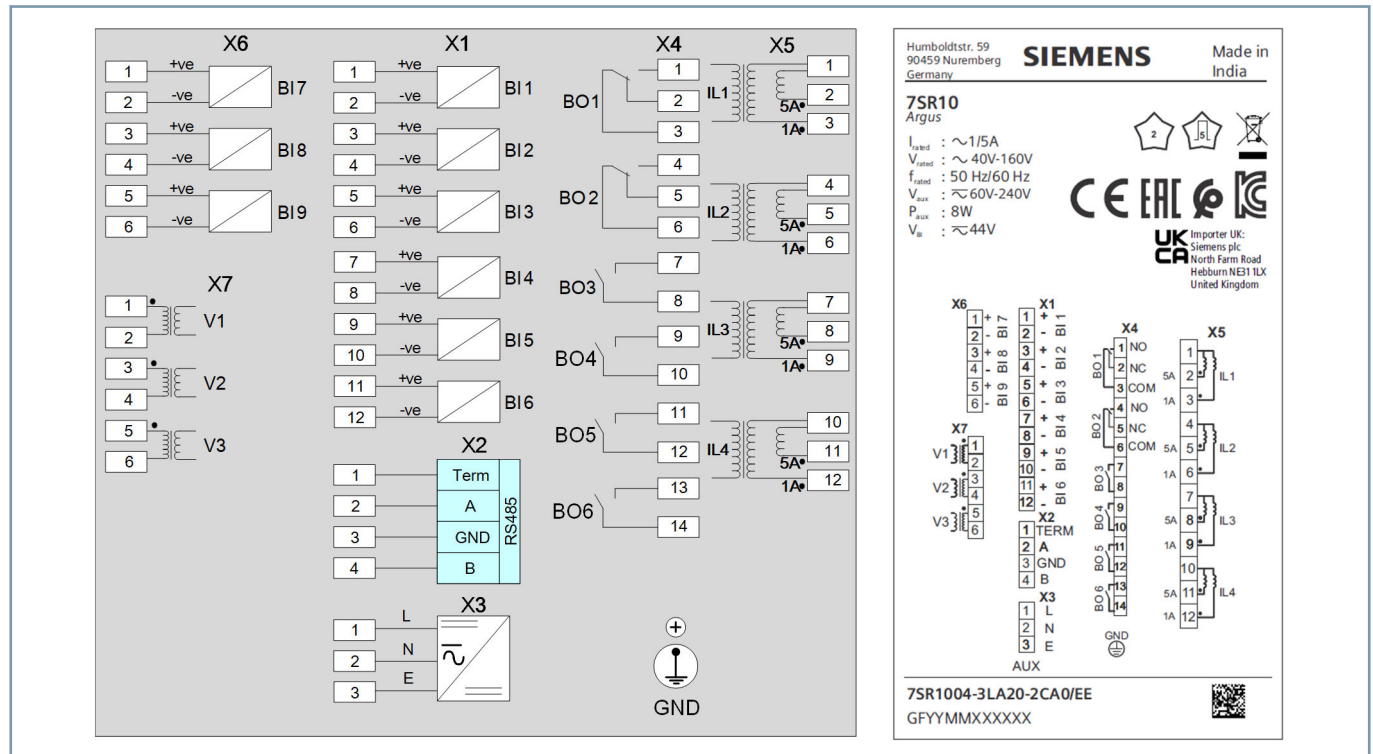
# Technical Data

## Connection Diagrams



[10\_7SR10 non-directional terminal label/wiring diagram98I, 3, en\_US]

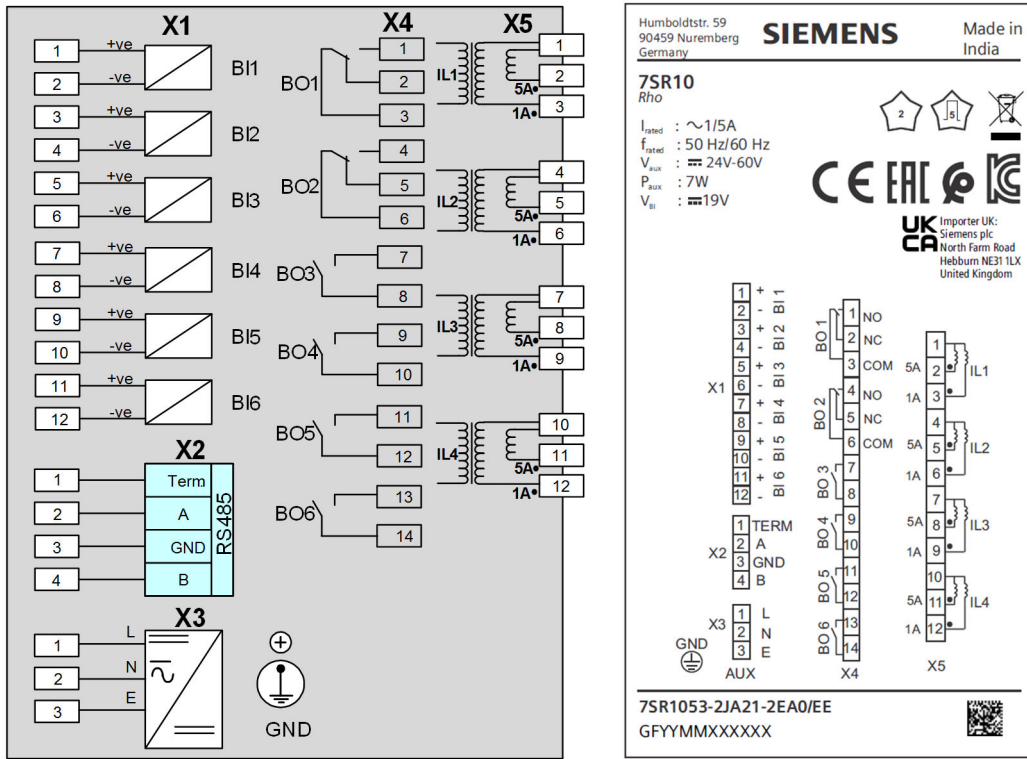
Figure 4.1/3 Terminal/Wiring Diagram of Reyrolle 7SR10 Non-Directional Overcurrent Relay, Universal Power Supply



[10\_7SR10 directional terminal label/wiring diagram, 7, en\_US]

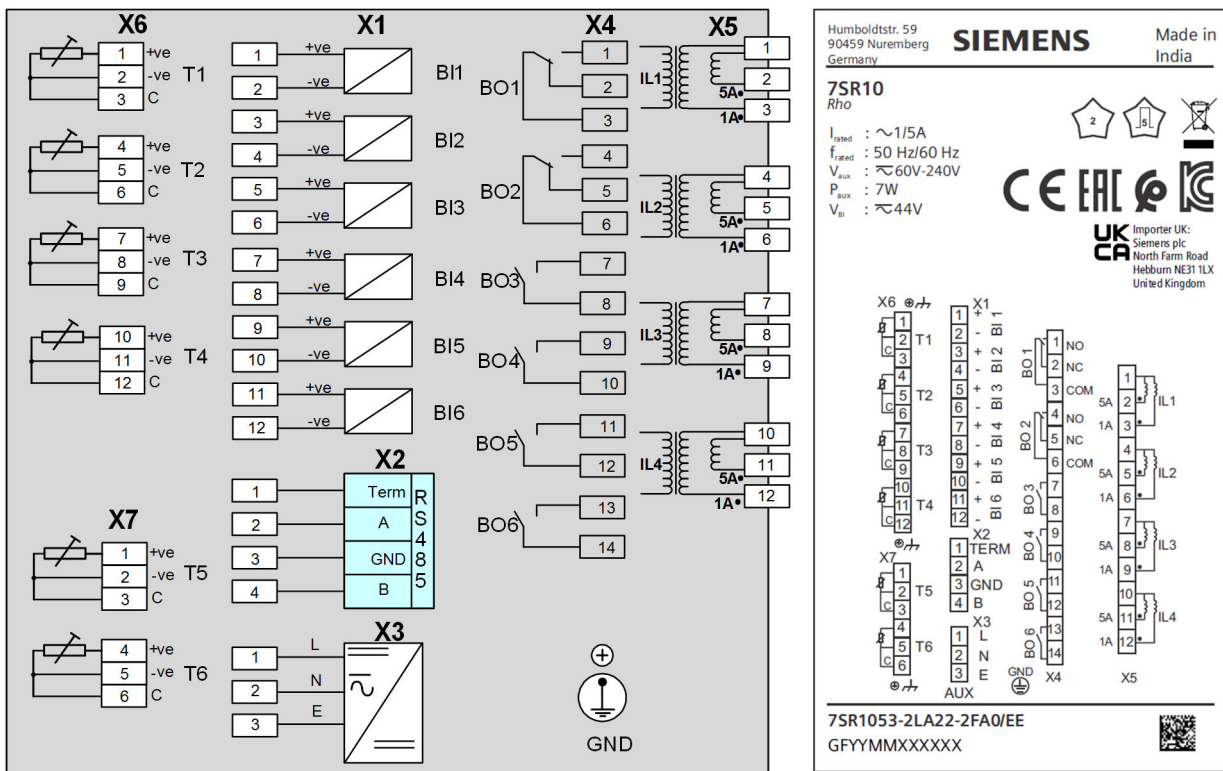
Figure 4.1/4 Terminal/Wiring Diagram of Reyrolle 7SR10 Directional Overcurrent Relay





[10\_7SR105 nonRTD terminal labelling/wiring diagram, 5, en\_US]

Figure 4.1/5 Terminal/Wiring Diagram of Reyrolle 7SR105 Non-RTD



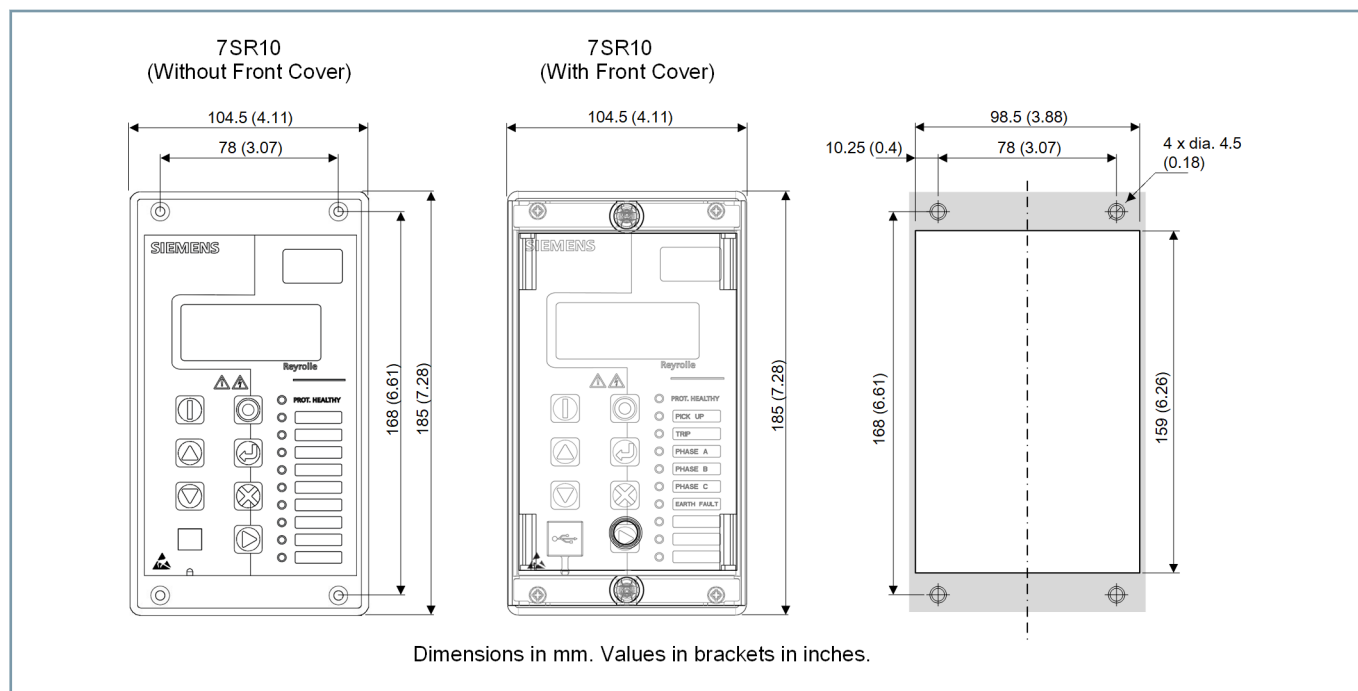
[10\_7SR105 RTD terminal labelling/wiring diagram, 5, en\_US]

Figure 4.1/6 Terminal/Wiring Diagram of Reyrolle 7SR105 RTD

# Technical Data

## Dimension Drawings

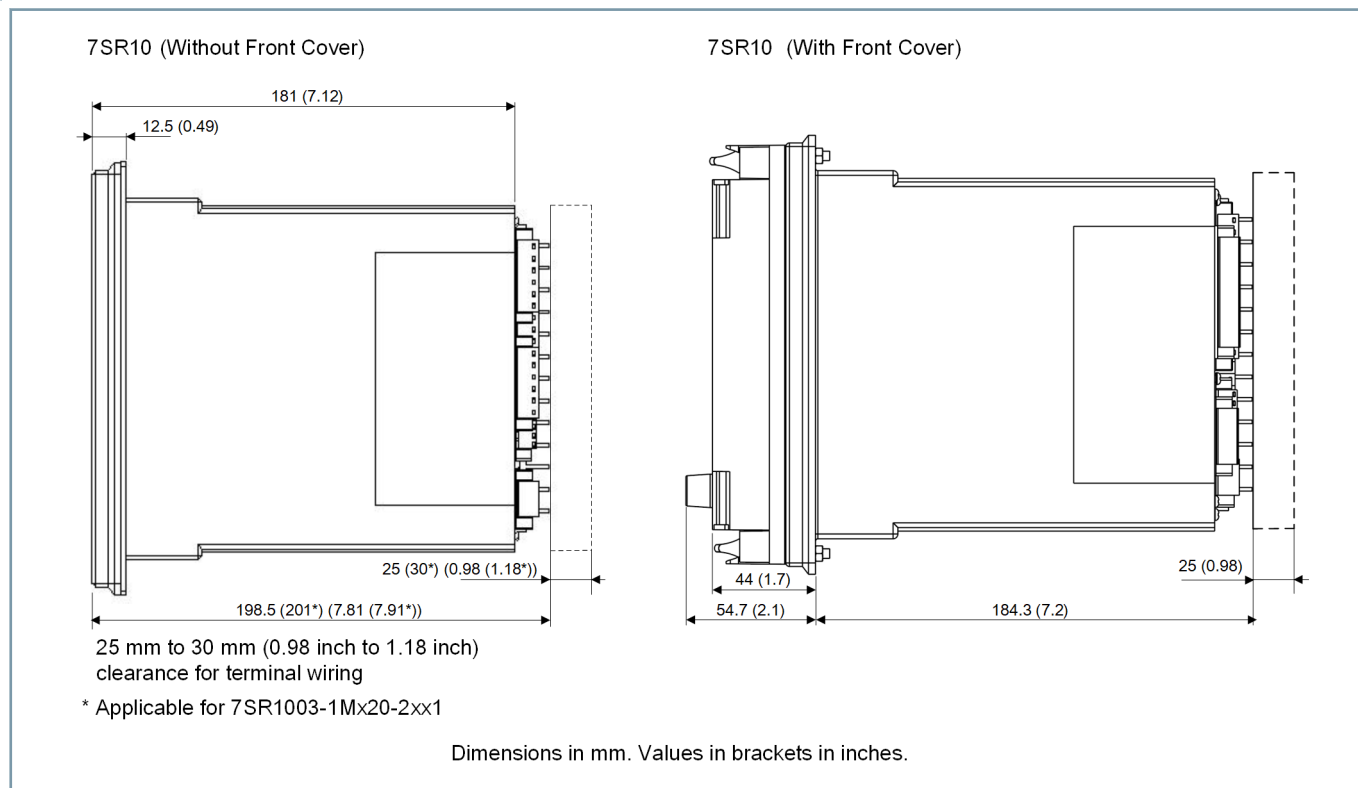
### Dimension Drawings



[dw\_7SR10-casedimensions, 3, en\_US]

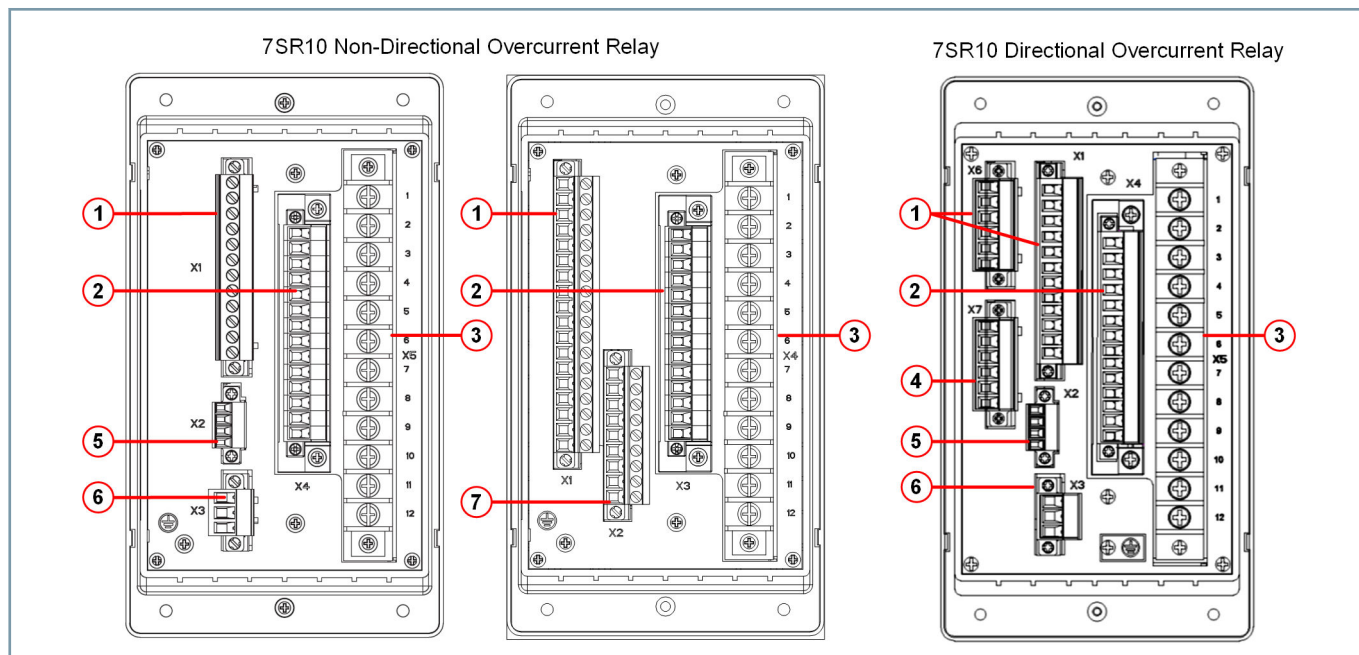
4.2

Figure 4.2/1 Front View – Panel Cut-out



[dw\_7SR10-sideview-dim, 1, en\_US]

Figure 4.2/2 Side View



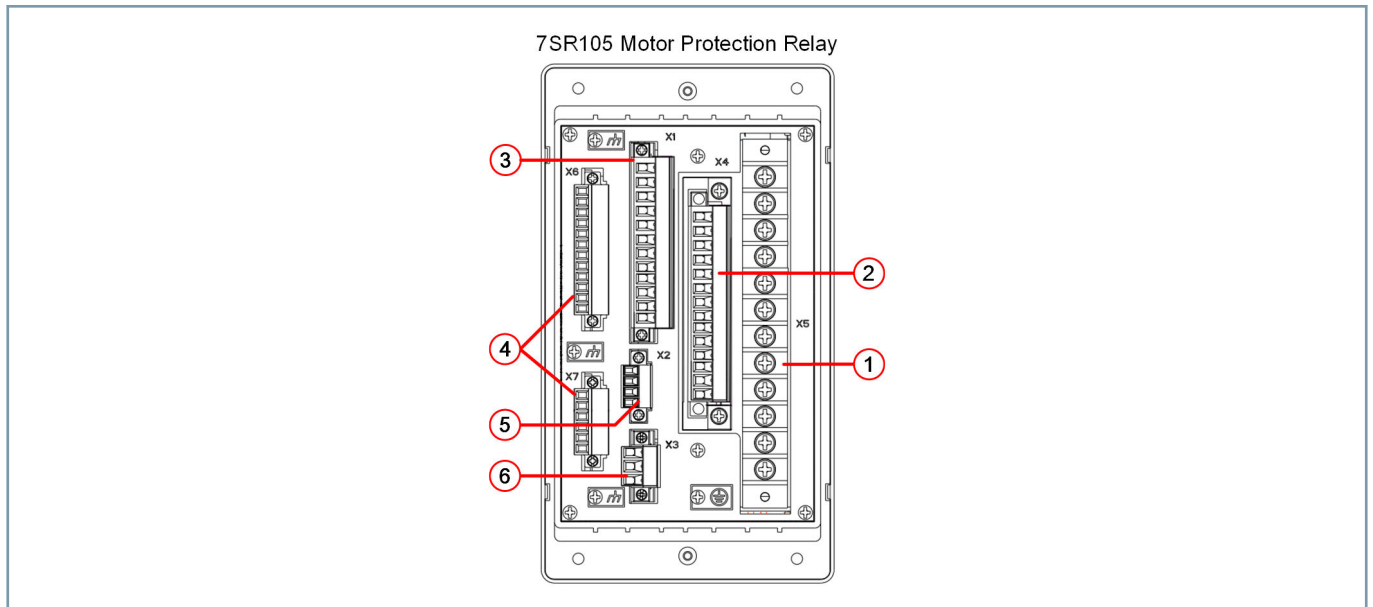
[dw\_7SR10 case dimensions rearview\_3\_en\_US]

**Figure 4.2/3** Rear View – Terminals

- (1) Binary inputs
- (2) Binary outputs
- (3) Current inputs
- (4) Voltage inputs
- (5) Rear communication port
- (6) Auxiliary power supply
- (7) Auxiliary power supply and rear communication port

# Technical Data

## Dimension Drawings



[dw\_7SR105 case dimensions rear view, 6, en\_US]

**Figure 4.2/4** Rear View – Terminals

- (1) Current inputs
- (2) Binary outputs
- (3) Binary inputs
- (4) RTD inputs
- (5) Rear communication port
- (6) Auxiliary power supply

### Technical Data

For details, refer to *Reyrolle 7SR10 Operating Manual* and *Reyrolle 7SR10 Device Manual*.

#### Indication of Conformity



This product complies with the directive of the Council of the European Communities on the harmonization of the laws of the Member States relating to electromagnetic compatibility (EMC Directive 2014/30/EU) and concerning electrical equipment for use within specified voltage limits (Low Voltage Directive 2014/35/EU) as well as restriction on usage of hazardous substances in electrical and electronic equipment (RoHS Directive 2011/65/EU).

This conformity has been proved by tests conducted by Siemens AG in accordance with the Council Directive in accordance with the product standard IEC/EN 60255-26 for the EMC directives, and with the standard IEC/EN 60255-27 for the low-voltage directive.

RoHS directive 2011/65/EU is met using the standard IEC/EN 63000. The device has been designed and produced for industrial use.

#### Technical Data Overview

Product family (Auxiliary powered)	Overcurrent Relay
Case and LEDs	Polycarbonate flush-mounting housing (size 4 standard, flush-mounting design), 10 LEDs
Measuring inputs	1 A/5 A 40 V to 160 V, 50 Hz/60 Hz
Auxiliary voltage	AC/DC 60 V to 240 V DC 24 V to 60 V AC 48 V to 240 V/DC 24 V to 240 V
Communication	Default front communication port Back port: RS485 (optional – IEC 60870-5-103 or Modbus RTU or DNP3)
Protection functions	27, 32, 32S, 37, 37G, 37SEF, 46NPS, 47, 49, 50, 50G, 50N, 50SEF, 50LC, 50GLC, 50SEF LC, 50AFD, 51, 51c, 51G, 51N, 51SEF, 51V, 55, 59, 59N, 64H, 67, 67G, 67N, 67SEF, 81
Supervision and control functions	46BC, 50BF, 60CTS, 60VTS, 74CCS, 74TCS, 79AR, 81HBL2, 81ITHD, 86
Binary input	3 BI or 6 BI or 9 BI
Binary output	3 BO or 6 BO (2 changeover contact)
Overvoltage	Category III
Pollution degree	2

Product family (Auxiliary powered)	Motor Protection Relay
Case and LEDs	Polycarbonate flush-mounting housing (size 4 standard, flush-mounting design), 10 LEDs
Measuring inputs (current)	1 A/5 A, 50 Hz/60 Hz

Auxiliary voltage	AC 60 V to 240 V DC 60 V to 240 V DC 24 V to 60 V
Communication	Default front communication port (IEC 60870-5-103 or Modbus RTU) Rear port: RS485 (optional - IEC 60870-5-103 or Modbus RTU or DNP3)
Protection functions	14, 37, 46, 48, 49, 50, 50G, 50N, 51, 51G, 51N, 66
Supervision and control functions	46PhRev, 50BCL, 50BF, 74CCS, 74TCS, 81B, 86, TEMP
Binary input	6 BI
Binary output	6 BO (2 changeover contact)
Overvoltage	Category III
Pollution degree	2

#### Mechanical Specifications

Design	Flush mounting, polycarbonate moulded case
Width x height x depth (without front cover)	104 mm x 185 mm x 198.5 mm 104 mm x 185 mm x 201 mm (applicable for 7SR1003-1Mx20-2xx1)
Enclosure	IP 54 (front panel) IP 20 protection for terminals (rear side) Depth is 199 mm
Weight	1.6 kg (approx.)

#### Terminal Blocks (*Reyrolle 7SR10 Non-directional Overcurrent Relay*)

Current inputs (X5)	Terminal connectivity PIDG series insulated tin plated crimp ring terminal, M3.5 stud size, 2.6 mm <sup>2</sup> to 6.6 mm <sup>2</sup> , 12 AWG
Binary outputs (X4)	8 or 14 position, M3 screw-type plug-in terminals suitable for 2.5 mm <sup>2</sup> cable
Binary inputs (X1)	6 or 12 position, M3 screw-type plug-in terminals suitable for 2.5 mm <sup>2</sup> cable
Rear communication port (X2)	4 position, M2 screw-type plug-in terminals suitable for 1.5 mm <sup>2</sup> cable
Auxiliary supply (X3)	3 position, M3 screw-type plug-in terminals suitable for 2.5 mm <sup>2</sup> cable
Ground terminal	Tin plated crimp ring terminal, M3 stud size, 4 mm <sup>2</sup> to 6 mm <sup>2</sup> , 12 AWG to 10 AWG, yellow
Front communication port	USB, type B

# Technical Data

## Technical Data

### Terminal Blocks (Reyrolle 7SR10 Non-directional Overcurrent Relay, Universal Power Supply)

Current inputs (X4)	Terminal connectivity PIDG series insulated tin plated crimp ring terminal, M3.5 stud size, 2.6 mm <sup>2</sup> to 6.6 mm <sup>2</sup> , 12 AWG
Binary outputs (X3)	14 position, M2.5 screw-type plug-in terminals suitable for 2.5 mm <sup>2</sup> cable
Binary inputs (X1)	18 position, M2.5 screw-type plug-in terminals suitable for 2.5 mm <sup>2</sup> cable
Rear communication port and auxiliary power supply (X2)	9 position, M2.5 screw-type plug-in terminals suitable for 2.5 mm <sup>2</sup> cable
Ground terminal	Tin plated crimp ring terminal, M3 stud size, 4 mm <sup>2</sup> to 6 mm <sup>2</sup> , 12 AWG to 10 AWG, yellow
Front communication port	USB, type B

### Terminal Blocks (Reyrolle 7SR10 Directional Overcurrent Relay)

Current inputs (X5)	Terminal connectivity PIDG series insulated tin plated crimp ring terminal, M3.5 stud size, 2.6 mm <sup>2</sup> to 6.6 mm <sup>2</sup> , 12 AWG
Binary outputs (X4)	8 or 14 position, M3 screw-type plug-in terminals suitable for 2.5 mm <sup>2</sup> cable
Binary inputs (X1)	6 or 12 position, M3 screw-type plug-in terminals suitable for 2.5 mm <sup>2</sup> cable
Binary inputs (X6)	6 position, M3 screw-type plug-in terminals suitable for 2.5 mm <sup>2</sup> cable
Rear communication port (X2)	4 position, M2 screw-type plug-in terminals suitable for 1.5 mm <sup>2</sup> cable
Auxiliary supply (X3)	3 position, M3 screw-type plug-in terminals suitable for 2.5 mm <sup>2</sup> cable
Ground terminal	Tin plated crimp ring terminal, M3 stud size, 4 mm <sup>2</sup> to 6 mm <sup>2</sup> , 12 AWG to 10 AWG, yellow
Front communication port	USB, type B

### Terminal Blocks (Reyrolle 7SR105 Motor Protection Relay)

Current inputs (X5)	Terminal connectivity PIDG series insulated tin plated crimp ring terminal, M3.5 stud size, 2.6 mm <sup>2</sup> to 6.6 mm <sup>2</sup> , 12 AWG
Binary outputs (X4)	8 or 14 position, M3 screw-type plug-in terminals suitable for 2.5 mm <sup>2</sup> cable
Binary inputs (X1)	6 or 12 position, M3 screw-type plug-in terminals suitable for 2.5 mm <sup>2</sup> cable

RTD inputs/Temperature inputs (X6, X7)	Pin type lug/1.5 mm <sup>2</sup> control cable
Rear communication port (X2)	4 position, M2 screw-type plug-in terminals suitable for 1.5 mm <sup>2</sup> cable
Auxiliary supply (X3)	3 position, M3 screw-type plug-in terminals suitable for 2.5 mm <sup>2</sup> cable
Ground terminal	Tin plated crimp ring terminal, M3 stud size, 4 mm <sup>2</sup> to 6 mm <sup>2</sup> , 12 AWG to 10 AWG, yellow
Front communication port	USB, type B

## Inputs and Outputs

### Current Inputs

Quantity	3 x phase and 1 x earth
Rated current $I_{rated}$	1 A/5 A
Measuring range	$80 \cdot I_{rated}$ $8 \cdot I_{rated}$ (SEF)
Instrumentation	$\pm 1\%$ or $\pm 1\% I_{rated}$ $(0.1 \cdot I_{rated} \text{ to } 3 \cdot I_{rated})$ $\pm 3\%$ ( $> 3 \cdot I_{rated}$ to $80 \cdot I_{rated}$ ) SEF: $\pm 1\%$ (typical) $(0.01 \cdot I_{rated} \text{ to } 0.3 \cdot I_{rated})$ $\pm 3\%$ ( $> 0.3 \cdot I_{rated}$ to $8 \cdot I_{rated}$ )
Rated frequency	50 Hz (range: 47.5 Hz to 52.5 Hz) 60 Hz (range: 57 Hz to 63 Hz)
Thermal withstand <sup>6</sup>	
Continuous	$4 \cdot I_{rated}$
1 second	100 A (1 A) and 350 A (5 A)
Burden @ $I_{rated}$	$\leq 0.3$ VA per phase and earth for both 1 A and 5 A

### Voltage Inputs

Rated voltage ( $V_{rated}$ )	40 to 160 $V_{RMS}$
Operating range	0 to 200 $V_{RMS}$
Instrumentation $\geq 0.8 \cdot V_{rated}$	$\pm 1\% V_{rated}$
Burden @ 110 V	Approx. 0.06 VA
Overvoltage withstand	300 $V_{RMS}$

### Auxiliary Supply

Rated auxiliary voltage	AC 60 V to 240 V/DC 60 V to 240 V Tolerance -20 % to +10 %
Allowable super imposed AC component	15 % of DC voltage

<sup>6</sup> ZY20 – Special version with thermal withstand 500 A (5 A CT) for 1 s.

Typical power consumption (DC)	< 8 W
Typical power consumption (AC)	< 16 VA (< 7 VA 0.5 PF <sup>7</sup> )
Max interruption time (collapse to 0)	≤ 100 ms (DC 110 V) ≤ 1000 ms (AC 230 V)

### Auxiliary Supply

Rated voltage	AC 48 V to 240 V/DC 24 V to 240 V Tolerance -20 % to +10 %
Allowable super imposed AC component	15 % of DC voltage
Typical power consumption (DC)	< 8 W
Typical power consumption (AC)	< 18 VA
Max interruption time (collapse to zero)	≤ 50 ms (DC 24 V) ≤ 50 ms (AC 48 V)
Inrush current	74 A at AC 230 V ≤ 200 μS (Applicable only for MFLB 7SR1003-1Mx20-2xx1)

### Auxiliary Supply

Rated voltage	DC 24 V to 60 V Tolerance -20 % to +10 %
Allowable super imposed AC component	15 % of DC voltage
Typical power consumption (DC)	< 8 W
Max interruption time (collapse to zero)	20 ms (DC 24 V)

### Binary Inputs

Parameter	BI Voltage Rating	BI Operating Range
BI threshold/operating range	DC 19 V	DC 19 V to 66 V
	AC 44 V/DC 44 V	AC 36 V to 265 V DC 44 V to 265 V
	AC 71 V/DC 88 V	AC 71 V to 265 V DC 88 V to 265 V
	AC 15 V/ DC 19 V	AC 15 V to 265 V DC 19 V to 265 V
Current for operation (Applicable only for 7SR10xx-x[J/K/L]xxx-2xx0)	1.5 mA to 3.5 mA	
Current for operation (Applicable only for 7SR1003-1Mx20-2xx1)	0.65 mA to 2.5 mA	
Pick Up Delay	User selectable 0 to 14,400,000 ms (up to 4 hours)	
Drop Off Delay	User selectable 0 to 14,400,000 ms (up to 4 hours)	
Number of binary inputs	3 or 6 or 9	

For more details about binary inputs, refer to *Reyrolle 7SR10 Operating Manual* and *Reyrolle 7SR10 Device Manual*.

### DC Performance

Attribute	Value
Reset/operate voltage ratio	≥ 90 %
Response time	< 9 ms
Response time when programmed to energize an output relay contact (i.e. includes output relay operation)	< 20 ms

### Binary Outputs

Number	3 or 6 (2 change over contacts)	
Operating voltage	Voltage free	
Operating mode	User selectable – self or hand/electrical reset or pulsed	
Operating time from energizing binary input	< 20 ms	
Making capacity	Carry continuously: AC 5 A/DC 5 A	
	Make and carry: AC 30 A/DC 30 A for 0.5 s	
Making capacity (L/R ≤ 40 ms)	1000 W	
Breaking capacity: (≤ 5 A and ≤ 300 V):	AC resistive	1250 VA
	AC inductive	250 VA at PF ≤ 0.4
	DC resistive	75 W
	DC inductive	30 W at L/R ≤ 40 ms 50 W at L/R ≤ 10 ms
Disengaging time	< 20 ms	

### Temperature Inputs (Reyrolle 7SR105)

Number	6
Measuring range	-50 °C to +250 °C 100 % T <sub>set</sub> ± 2 % or ± 2 °C For Cu10: ± 2 % or ± 5 °C
Response time	< 3 s
Sensing current	< 0.5 mA

### Rear Communication Port

Quantity	1 no. (optional)
Electrical connection	RS485, 2 wire electrical
Protocol support	Modbus RTU, IEC 60870-5-103, DNP3
Rate	Data transfer rate: 75 Bit/s to 38400 Bit/s

### Front Communication Port

Quantity	1 no.
Electrical connection	USB, type B

# Technical Data

## Technical Data

### Data Storage

Fault record	100 (non-directional and directional relay, motor protection relay)
Records in waveform	15 rec · 1 s 7 rec · 2 s 3 rec · 5 s 1 rec · 15 s Pre trigger 10 to 90 %
Events	1000 events (1 ms resolution)

### Mechanical Tests

Test	Standard
Degree of protection	IEC 60529 IP 54 front IP 20 rear
Vibration	IEC 60255-21-1 Response and endurance, class 1
Shock and bump	IEC 60255-21-2 Shock response and withstand, class 1 Bump, class 1
Seismic tests	IEC 60255-21-3, class 1
General requests	IEC 60255-1 (Ref: std IEC 61810-1)
Electrical endurance test	IEC 60255-1 (Ref: std IEC 61810-1) (10000 operations at 250 V, 5 A)

### Electrical Tests

Test	Standard
Insulation resistance	IEC 60255-27 <sup>8</sup> DC 500 V, > 100 MΩ
Impulse voltage withstand	IEC 60255-27 <sup>8</sup> 5 kV, 5 +ve, -ve pulses
AC dielectric voltage	IEC 60255-27 <sup>8</sup> 2 kV RMS @1 min (Between any terminal and earth, independent circuits) AC 1 kV <sub>RMS</sub> for 1 min (across normally open contacts)

Test	Standard
Slow damped oscillatory wave	IEC 60255-26 <b>Common-mode:</b> Test voltage: 2.5 kV peak voltage <b>Differential-mode:</b> Test voltage: 1.0 kV peak voltage Voltage oscillation frequency: 1 MHz Repetition frequency: 400 Hz
Electrostatic discharge	IEC 60255-26 8 kV air discharge 6 kV contact discharge
Electrical fast transient or burst <sup>9</sup>	IEC 60255-26 Zone A Test severity amplitude: ± 4 kV Repetition frequency: 5 kHz
Surge immunity <sup>9</sup>	IEC 60255-26 Test level: zone A Line to line: 0.5, 1, 2 kV Line to earth: 0.5, 1, 2, 4 kV Front time/time to half-value: 1.2/50 μs Source impedance: 2 Ω
Radiated immunity	IEC 60255-26 80 MHz to 1.0 GHz and 1.4 GHz to 2.7 GHz Both frequency at 10 V/m
Conducted radio frequency interference	IEC 60255-26 150 kHz to 80 MHz 10 V <sub>RMS</sub>
Power frequency magnetic field	IEC 60255-26 30 A/m applied 1 min, 300 A/m applied for 3 s <sup>10</sup>
Conducted emissions	IEC 60255-26
Radiated emissions	IEC 60255-26
Thermal withstand	IEC 60255-27
Continuous	4 · I <sub>rated</sub>
1 s	100 A (1 A) 350 A (5 A) <sup>11</sup>
Burden (at 1 A and 5 A)	IEC 60255-1 ≤ 0.3 VA per phase and earth
Functional	IEC 60255-1 IEC 60255-12 IEC 60255-127 IEC 60255-149 IEC 60255-151

<sup>8</sup> All aspect of IEC 60255-5 have been covered under IEC 60255-27

<sup>9</sup> 60 ms [7SR10xx-x[J/K/L]xxx-2xx0] or 100 ms [7SR1003-1Mx20-2xx1] DTL pickup delay applied to binary inputs

<sup>10</sup> 5 % · I<sub>rated</sub> additional tolerance needs to be considered for SEF CT

<sup>11</sup> ZY20 – Special version with thermal withstand 500 A (5 A CT) for 1 s



Test	Standard
Maximum allowable temperature	IEC 60255-6 Max. temperature limit +100 °C
Limiting dynamic value	10 ms 700 A peak AC (1 A) and 2500 A peak AC (5 A)
Gradual shutdown/start-up test	IEC 60255-26 Shut down/start up ramp 60 s Power off 5 min
Power frequency immunity test <sup>12</sup>	IEC 60255-26 <b>Common-mode:</b> <ul style="list-style-type: none"> <li>• Test voltage: 300 V</li> <li>• Coupling resistor: 220 Ω</li> <li>• Coupling capacitor: 0.47 μF</li> </ul>

### Climatic Environmental Tests

#### Temperature

IEC 60068-2-1/IEC 60068-2-2/IEC 60255-1

Operating temperature range	-10 °C to +60 °C (continuous)
Permissible temporary operating temperature range (tested for 16 h)	-40 °C to +70 °C <sup>13,14</sup>

#### Humidity

IEC 60068-2-30/IEC 60068-2-78/IEC 60255-1

Damp heat test, cyclic	6 days at 25 °C to 40 °C (12 h + 12 h cycle) and 93 % relative humidity
Damp heat test, steady state	10 days at 95 % RH, +40 °C
Maximum altitude of operation	Up to 2000 m

#### Corrosion Test

IEC 60068-2-60:2015 (Method 4)

Mixed gas corrosion test (Environment condition as per ISA 71.04: 2013 G3)	H <sub>2</sub> S 10 ppb, NO <sub>2</sub> 200 ppb, Cl <sub>2</sub> 10 ppb and SO <sub>2</sub> 200 ppb
---	---

### Product Safety Test

IEC/EN 60255-27

Type Test	Parameters	Values
Clearances and creepage distances	Clearances and creepage distances between external circuits mutual and to the enclosure	≥ 4 mm
Protective bonding resistance	Test voltage: < AC 12 V/DC 12 V Test duration: 1 min Bonding resistance	< 0.1 Ω
Protective bonding continuity	Accessible conductive parts should be bonded with the protective conductor terminal	Low current continuity test
Flammability of insulating materials, components and fire enclosures	Structure part	Standard for insulating material of flammability class
	Terminals	Class UL 94 V-0
	Terminal mounting	
	Wiring (CT)	(N)2GFAF (VDE)
	Components mounting	Class UL 94 V-0
	Enclosure	
	PCB	
Single fault condition	Assessment of: <ul style="list-style-type: none"> <li>• Insulation between circuits and parts</li> <li>• Compliance with requirements for protection against the spread of fire</li> <li>• Overloads</li> <li>• Intermittently rated resistors</li> <li>• Compliance with requirements for mechanical protection</li> </ul>	The equipment shall not present a risk of electric shock or fire after a single-fault test.

IEC/EN 61010-1

Test Description	Applicable Clause Number
Marking and documentation	5
Protection against electric shock	6
Protection against mechanical hazard	7
Resistance to mechanical stresses (shock and impact)	8
Protection against the spread of fire	9

<sup>12</sup> DC binary input ports interfacing with cables whose total length is more than 10 m, need to have a multi core twisted screened cable for providing immunity against high level of power frequency interferences.

<sup>13</sup> Outside the operating-temperature range, the characters of the LCD display are not clearly visible and there is degradation in MTBF.

<sup>14</sup> Temporary deviation of VT accuracies and intermittent loss in communication beyond the lower temperature limit (-10 °C)

# Technical Data

## Technical Data

Test Description	Applicable Clause Number
Equipment temperature limits and resistance to heat	10
Protection against liberated gases and substances, explosion and implosion	13
Components and sub assemblies	14
Hazards resulting from application	16
Risk assessment	17

### Protection Functions

#### 14 Locked-Rotor Protection

Number of elements	4	
Setting range $I_{set}$	$0.05$ to $10 \cdot I_{rated}$	
Time delay	$0.00$ to $14400$ s	
Operate level	$100\% I_{set} \pm 5\%$ or $\pm 1\% \cdot I_{rated}$	
Operate time	$2 \cdot I_{set}$	$35$ ms $\pm 10$ ms
	$5 \cdot I_{set}$	$25$ ms $\pm 10$ ms
Operate time following delay	$t_{basic} + t_{delay}$ , $\pm 1\%$ or $\pm 10$ ms	
Control	Stopped, no acceleration, running, none	
Disengaging time	$< 50$ ms	

#### 27 Undervoltage Protection – 3-Phase/59 Overvoltage Protection – 3 Phase

Number of elements	4 (under or over)	
Operate	Any phase or all phases	
Voltage guard $V_g$	$1$ to $200$ V	
Setting range $V_{set}$	$5$ to $200$ V	
Hysteresis setting	$0$ to $80\%$	
Operate level $V_{set}$	$100\% V_{set} \pm 1\%$ or $\pm 0.25$ V	
Reset level:	Overvoltage	$= (100\% - \text{hysteresis}) \cdot V_{opr} \pm 1\%$
	Undervoltage	$= (100\% + \text{hysteresis}) \cdot V_{opr} \pm 1\%$
Delay setting $t_{delay}$	$0.00, 0.01$ to $20, 20.5$ to $100, 101$ to $1000, 1010$ to $10000, 10100$ to $14400$ s	
Basic operate time:	$0$ to $1.1 \cdot V_{set}$ (over)	$73$ ms $\pm 10$ ms
	$0$ to $2.0 \cdot V_{set}$ (over)	$63$ ms $\pm 10$ ms
	$1.1$ to $0.5 \cdot V_{set}$ (under)	$58$ ms $\pm 10$ ms
Operate time following delay	$t_{basic} + t_{delay}$ , $\pm 1\%$ or $\pm 10$ ms	
Inhibited by	Binary or virtual Input VT supervision Voltage guard	

#### 32 Power Protection

Number of elements	2 forward or reverse
Operate	P, Q or S
U/C guard	$0.05$ to $1.0 \cdot I_{rated}$
Setting range $S_{set}$	$0.05$ to $2.0 \cdot S_{rated}$

Operate level $S_{op}$	$100\% S_{set} \pm 5\%$ or $\pm 2\% S_{rated}$	
Reset level	$\geq 95\% S_{op}$	
Basic operate time:	$1.1 \cdot S_{set}$ (over)	$60$ ms $\pm 10$ ms
	$2.0 \cdot S_{set}$ (over)	$45$ ms $\pm 10$ ms
	$0.5 \cdot S_{set}$ (under)	$30$ ms $\pm 10$ ms
Delay setting $t_{delay}$	$0$ s to $14400$ s	
Operate time following delay	$t_{basic} + t_{delay}$ , $\pm 1\%$ or $\pm 10$ ms	
Inhibited by	Undercurrent guard, VTS, binary or virtual input	

#### 32S Sensitive Power Protection

Number of elements	2 forward or reverse	
Operate	P, Q or S	
U/C guard	$0.005$ to $1.0 \cdot I_{rated}$	
Setting range $S_{set}$	$0.005$ to $2.0 \cdot S_{rated}$	
Operate level	$100\% S_{set} \pm 5\%$ or $\pm 2\% S_{rated}$	
Reset level	$\geq 95\% S_{op}$	
Basic operate time:	$1.1 \cdot S_{set}$ (over)	$60$ ms $\pm 10$ ms
	$2.0 \cdot S_{set}$ (over)	$45$ ms $\pm 10$ ms
	$0.5 \cdot S_{set}$ (under)	$30$ ms $\pm 10$ ms
Delay setting $t_{delay}$	$0$ s to $14400$ s	
Operate time following delay	$t_{basic} + t_{delay}$ , $\pm 1\%$ or $\pm 10$ ms	
Inhibited by	Undercurrent guard, VTS, binary or virtual input	

#### 37 Undercurrent Protection – Phase

Number of elements	2 element	
Operate	Any phase or all	
Setting range $I_{set}$	$0.05$ to $5.0 \cdot I_{rated}$	
Operate level	$100\% I_{set} \pm 5\%$ or $\pm 1\% \cdot I_{rated}$	
Reset level	$\leq 105\% I_{op}$	
Current guard	$0.05$ to $5.0 \cdot I_{rated}$	
Delay setting $t_{delay}$	$0.00, 0.01$ to $20, 20.5$ to $100, 101$ to $1000, 1010$ to $10000, 10100$ to $14400$ s	
Basic operate time:	$1.1$ to $0.5 \cdot I_{rated}$	$35$ ms $\pm 10$ ms
Operate time following delay	$t_{basic} + t_{delay}$ , $\pm 1\%$ or $\pm 10$ ms	
Overshoot time	$< 40$ ms	
Inhibited by	Binary or virtual input	

#### 37G Undercurrent Earth Fault - Measured

Number of elements	2 element	
Setting range $I_{set}$	$0.05$ to $5.0 \cdot I_{rated}$	
Operate level	$100\% I_{set} \pm 5\%$ or $\pm 1\% \cdot I_{rated}$	
Reset level	$\leq 105\% I_{op}$	
Delay setting $t_{delay}$	$0.00, 0.01$ to $20, 20.5$ to $100, 101$ to $1000, 1010$ to $10000, 10100$ to $14400$ s	
Basic operate time:	$1.1$ to $0.5 \cdot I_{rated}$	$35$ ms $\pm 10$ ms

Operate time following delay	$t_{\text{basic}} + t_{\text{delay}}, \pm 1\% \text{ or } \pm 10 \text{ ms}$
Overshoot time	< 40 ms
Inhibited by	Binary or virtual input

### 37SEF Undercurrent Earth Fault – sensitive

Number of elements	2 element
Setting range $I_{\text{set}}$	0.005 to $5.0 \cdot I_{\text{rated}}$
Operate level	$100\% I_{\text{set}}, \pm 5\% \text{ or } \pm 1\% \cdot I_{\text{rated}}$
Reset level	$\leq 105\% I_{\text{op}}$
Delay setting $t_{\text{delay}}$	0.00, 0.01 to 20, 20.5 to 100, 101 to 1000, 1010 to 10000, 10100 to 14400 s
Basic operate time:	$1.1 \text{ to } 0.5 \cdot I_{\text{rated}}$ 35 ms $\pm 10$ ms
Operate time following delay	$t_{\text{basic}} + t_{\text{delay}}, \pm 1\% \text{ or } \pm 10 \text{ ms}$
Overshoot time	< 40 ms
Inhibited by	Binary or virtual input

### 46 Unbalanced-Load Protection

Number of elements	1 (magnitude difference or NPS)	
Setting range $I_{\text{set}}$	0.1 to $0.4 \cdot \theta$	
Operate level	$100\% I_{\text{set}}, \pm 5\% \text{ or } \pm 1\% \cdot I_{\text{rated}}$	
IT min. operate time	0 to 20 s	
DT delay setting $t_{\text{delay}}$	0 to 20 s	
DT basic operate time for NPS	$2 \cdot I_{\text{set}}$	65 ms $\pm 10$ ms
	$5 \cdot I_{\text{set}}$	60 ms $\pm 10$ ms
DT basic operate time for magnitude	$2 \cdot I_{\text{set}}$	60 ms $\pm 10$ ms
	$5 \cdot I_{\text{set}}$	50 ms $\pm 10$ ms
DT operate time following delay	$t_{\text{delay}} \pm 1\% \text{ or } \pm 30 \text{ ms}$	
Tm time multiplier	0.025 to 2.0	
Disengaging time	< 80 ms	
Inhibited by	Binary or virtual input	

### 46BC Broken Conductor Protection

46BC setting, NPS to PPS ratio	20 to 100 %
Delay setting $t_{\text{delay}}$	0.03, 04, 20.0, 20.1, 100, 101, 1000, 1010 to 14400 s
Operate level $I_{\text{op}}$	$100\% I_{\text{set}} \pm 5\%$ or 1 % of $I_{\text{rated}}$
Reset level	$90\% I_{\text{op}} \pm 5\%$
Basic operate time $t_{\text{basic}}$	$1 \cdot I_{\text{rated}}$ to 0 A 40 ms
Operate time	$t_{\text{delay}} + t_{\text{basic}}, \pm 1\% \text{ or } \pm 20 \text{ ms}$

### 46NPS Negative Sequence Overcurrent Protection

Number of elements	DT & IT
DT setting range $I_{\text{set}}$	0.05 to $4.0 \cdot I_{\text{rated}}$

DT operate level	$100\% I_{\text{set}}, \pm 5\% \text{ or } \pm 1\% \cdot I_{\text{rated}}$	
DT delay setting $t_{\text{delay}}$	0.00, 0.01 to 20, 20.5 to 100, 101 to 1000, 1010 to 10000, 10100 to 14400 s	
DT basic operate time	0 to $2 \cdot I_{\text{set}}$	40 ms $\pm 10$ ms
	0 to $5 \cdot I_{\text{set}}$	30 ms $\pm 10$ ms
DT operate time following delay	$t_{\text{basic}} + t_{\text{delay}}, \pm 1\% \text{ or } \pm 10 \text{ ms}$	
IT char setting	IEC NI,VI,EI,LTl, ANSI MI,VI,EI & DTL	
IT setting range	0.05 to 2.5	
Tm time multiplier	0.025, 0.030 to 1.6, 1.7 to 5, 6 to 100	
Char operate level	$105\% I_{\text{set}}, \pm 4\% \text{ or } \pm 1\% \cdot I_{\text{rated}}$	
Overshoot time	< 40 ms	
Inhibited by	Binary or virtual input	

### 46PhRev Phase Reversal

NPS to PPS ratio	20 to 100 %
Delay setting	0 to 14400 s
Operate level	$100\% I_{\text{set}} \pm 5\%$
Reset level	$> 85\% I_{\text{op}}$
Basic operate time	$1 \cdot I_{\text{rated}}$ to 0 A (60 ms)
Operate time	$t_{\text{basic}} + t_{\text{delay}}, \pm 1\% \text{ or } \pm 20 \text{ ms}$

### 47NPS Sequence Overvoltage Protection

Number of elements	2	
Setting range $V_{\text{set}}$	1 to 90 V	
Hysteresis setting	0 to 80 %	
Operate level	$100\% V_{\text{set}}, \pm 2\% \text{ or } \pm 0.5 \text{ V}$	
Delay setting $t_{\text{delay}}$	0.00, 0.01 to 20, 20.5 to 100, 101 to 1000, 1010 to 10000, 10100 to 14400 s	
Basic operate time:	0 V to $1.5 \cdot V_{\text{set}}$	80 ms $\pm 20$ ms
	0 V to $10 \cdot V_{\text{set}}$	55 ms $\pm 20$ ms
Operate time following delay	$t_{\text{basic}} + t_{\text{delay}}, \pm 2\% \text{ or } \pm 20 \text{ ms}$	
Overshoot time	< 40 ms	
Inhibited by	Binary or virtual input, voltage guard	

### 48 Starting-Time Supervision

Max. no. of starts	OFF, 1 to 20
Max. starts period	1 min to 60 min
Start inhibit delay	1 min to 60 min
Time between starts	OFF, 1 min to 60 min

### 49 Thermal Overload Protection (Reyrolle ZSR10)

Operate levels	Operate and alarm
Setting range $I_{\text{set}}$	0.10 to $3.0 \cdot I_{\text{rated}}$

# Technical Data

## Technical Data

Operate level	100 % $I_{set}$ ± 5 % or ± 1 % · $I_{rated}$
Time constant setting	1 min to 1000 min
Operate time (minutes)	$t = \tau \cdot I_n \left[ \frac{I^2 - I_{pre-load}^2}{I^2 - (k \cdot I_B)^2} \right]$ <p> <math>t</math> = Time in minutes  <math>\tau</math> = 49 Time Constant setting (minutes)  <math>I</math> = Measured thermal current  <math>I_n</math> = Log natural  <math>I_p</math> = Previous steady state current level/pre-load  <math>k</math> = Constant (predefined, <math>k = 1.05</math>)  <math>I_B</math> = Basic current, typically same as <math>I_n</math>  <math>k \cdot I_B = 49</math> Overload Setting (<math>I_\theta</math>)                 </p>
Alarm level	Disabled, 50 to 100 %
Inhibited by	Binary or virtual input

### 49 Thermal Overload Protection (Reyrolle 7SR105)

Operate levels	Operate and alarm
Setting range $I_{set}$	0.10 to 3.0 · $I_{rated}$
NPS weighting factor (K)	0.1 to 10.0 Δ 0.1
Tauh heating constant	0.5 min to 1000 min, Δ 0.5 min
Taus starting constant	0.005 to 1.0 · Tauh, Δ 0.005
Tauc cooling constant	1 to 100 · Tauh, Δ 1
Hot/cold ratio	OFF, 1 to 100 %, Δ 1 %
Operate level	100 % $I_{set}$ ± 5 % or ± 1 % · $I_{rated}$
Time constant setting	1 min to 1000 min
Operate time (minutes)	$t = \tau \cdot \ln \left[ \frac{I_{equiv}^2 - \left(1 - \frac{H}{C}\right) I_{pre-load}^2}{I_{equiv}^2 - I_\theta^2} \right]$ <p> <math>t</math> ± 5 % or ± 100 ms (<math>I_\theta</math>: 0.3 to 3 · <math>I_{rated}</math>)                 </p> $I_{equiv} = \sqrt{I_1^2 + kI_2^2}$ <p> <math>\tau</math> = Thermal heating time constant (49 Tauh - heating constant or 49 Taus - starting constant)  <math>\frac{H}{C}</math> = Hot/cold ratio setting  <math>I_1</math> = Positive phase sequence current  <math>I_2</math> = Negative phase sequence current  <math>I_{equiv}</math> = Equivalent heating current  <math>I_{pre-load}</math> = Pre-load current  <math>I_\theta</math> = Thermal overload setting current  <math>K</math> = NPS weighting factor  <math>\ln</math> = Natural logarithm                 </p>

Capacity alarm level	Disabled, 50 to 100 %
Load alarm level	OFF, 0.5 to 1.0 · $I_\theta$ , Δ 0.05
Thermal restart inhibit	20 to 100 %, Δ 1 %
Inhibited by	Binary or virtual input

### 50 Instantaneous Overcurrent – Phase/67 Directional Overcurrent – Phase

Operation	Non-directional, forward and reverse
Elements	Phase fault
Setting range $I_{set}$ (50)	0.05 to 50 · $I_{rated}$
Time delay	0.00 to 14400 s
Operate level $I_{op}$	100 % $I_{set}$ ± 5 % or ± 1 % · $I_{rated}$
Reset level	≥ 95 % $I_{op}$
Operate time	0 to 2 · $I_{set}$ - 35 ms, ± 10 ms 0 to 5 · $I_{set}$ - 25 ms, ± 10 ms
Directional (67)	Typically 32 ms, < 40 ms at characteristic angle + 50 element operate time
Operate time following delay	$t_{basic} + t_{delay}$ , ± 1 % or ± 10 ms
Inhibited by	Binary or virtual input Inrush detector VT supervision

### 50AFD Arc Flash Detection

Setting	1 to 10 · $I_{rated}$
Operate level (no DC transient) $I_{op}$	100 % $I_{set}$ ± 10 %
Reset level	≥ 95 % $I_{op}$
Repeatability	± 5 %
50AFD Overcurrent operate time $t_{basic}$	10 ms to 16 ms
AFD Zone Operate time (Flash and 50AFD) $t_{op}$	15 ms to 25 ms
Repeatability	± 10 ms
Disengaging time	< 50 ms

### 50BCL Break Capacity Limit

Setting	1.0 to 50 · $I_{rated}$
Operate level	100 % $I_{set}$ ± 5 % or ± 1 % · $I_{rated}$
Reset level	≥ 95 % $I_{op}$
Element basic operate time	0 to 2 · $I_{set}$ : 20 ms or ± 10 ms 0 to 5 · $I_{set}$ : 15 ms or ± 10 ms

### 50BF Circuit-Breaker Failure Protection – 3-Pole

Operation	Current check – phase and measured earth with independent settings Mechanical trip CB faulty monitor
Setting range $I_{set}$	0.05 to 2.0 · $I_{rated}$

2 stage time delays	Timer 1: 20 to 60000 ms Timer 2: 20 to 60000 ms
Operate level	$100\% I_{set} \pm 5\%$ or $\pm 1\% \cdot I_{rated}$
Disengaging time	< 20 ms
Operate time following delay	$Tcbf \pm 1\%$ or $\pm 20$ ms
Triggered by	Any function mapped as trip contact
Inhibited by	Binary/virtual input
Timer by pass	Yes, 50BF CB faulty input

### 50G Instantaneous Earth Fault – Measured/67G Directional Earth Fault – Measured

Operation	Non-directional, forward and reverse
Elements	Measured earth fault
Setting range $I_{set}$ (50G)	0.05 to $50 \cdot I_{rated}$
Time delay	0.00 to 14400 s
Operate level $I_{op}$	$100\% I_{set} \pm 5\%$ or $\pm 1\% \cdot I_{rated}$
Reset level	$\geq 95\% I_{op}$
Operate time	0 to $2 \cdot I_{set} - 35$ ms, $\pm 10$ ms 0 to $5 \cdot I_{set} - 25$ ms, $\pm 10$ ms
Directional (67G)	Typically 32 ms, < 40 ms at characteristic angle + 50G element operate time
Operate time following delay	$t_{basic} + t_{delay}$ , $\pm 1\%$ or $\pm 10$ ms
Inhibited by	Binary or virtual input Inrush detector VT supervision

### 50LC Line Check/50GLC Line-Check Overcurrent Protection

Setting $I_{set}$	0.05 to $50 \cdot I_{rated}$
Delay setting $t_{delay}$	0.00 to 14400 s
Operate level $I_{op}$	$100\% I_{set} \pm 5\%$ or $\pm 1\% \cdot I_{rated}$
Reset level	$\geq 95\% I_{op}$
Repeatability	$\pm 1\%$
Element basic operate time $t_{basic}$ <sup>15</sup>	0 to $2 \cdot I_{set} - 35$ ms, $\pm 10$ ms 0 to $5 \cdot I_{set} - 25$ ms, $\pm 10$ ms
Operate time following delay $t_{op}$ <sup>15</sup>	$t_{basic} + t_{delay}$ , $\pm 1\%$ or $\pm 10$ ms
Repeatability	$\pm 1\%$ or $\pm 10$ ms
Overshoot time	< 40 ms
Disengaging time	< 50 ms

### 50N Instantaneous Earth Fault – Calculated/67N Directional Earth Fault – Calculated

Operation	Non-directional, forward and reverse
Elements	Derived earth fault
Setting range $I_{set}$ (50N)	0.05 to $50 \cdot I_{rated}$

Time delay	0.00 to 14400 s
Operate level $I_{op}$	$100\% I_{set} \pm 5\%$ or $\pm 1\% \cdot I_{rated}$
Reset level	$\geq 95\% I_{op}$
Operate time	0 to $2 \cdot I_{set} - 40$ ms, $\pm 10$ ms 0 to $5 \cdot I_{set} - 30$ ms, $\pm 10$ ms
Directional (67N)	Typically 32 ms, < 40 ms at characteristic angle + 50N element operate time
Operate time following delay	$t_{basic} + t_{delay}$ , $\pm 1\%$ or $\pm 10$ ms
Inhibited by	Binary or virtual input Inrush detection VT supervision

### 50SEF Instantaneous Sensitive Earth Fault – Measured/67SEF Directional Sensitive Earth Fault – Measured

Operation	Non-directional, forward and reverse
Elements	Sensitive earth fault
Setting range $I_{set}$ (50SEF)	0.005 to $5 \cdot I_{rated}$ 0.005 to $1.6 \cdot I_{rated}$ <sup>16</sup>
Time delay	0.00 to 14400 s
Operate level $I_{op}$	$100\% I_{set} \pm 5\%$ or $\pm 1\% \cdot I_{rated}$
Reset level (50SEF)	$\geq 95\% I_{op}$ or $I_{op} - 0.1\% \cdot I_{rated}$
Operate time	0 to $2 \cdot I_{set} - 35$ ms, $\pm 10$ ms 0 to $5 \cdot I_{set} - 25$ ms, $\pm 10$ ms
Operate time (67SEF)	Typically 32 ms, < 40 ms at characteristic angle + 50SEF element operate time
Operate time following delay	$t_{basic} + t_{delay}$ , $\pm 1\%$ or $\pm 10$ ms
Inhibited by	Binary or virtual input Inrush detector VT supervision
Directional SEF – Watt-metric	
Setting ( $P_o$ )	0.05 to $20 \cdot I_{rated} \cdot W$ (where $I_{rated} = 1$ A or 5 A)
Operate level ( $P_{op}$ )	$100\% P_o \pm 25\%$ or $\pm 25$ mW
Reset level	$\geq 90\% P_{op}$
Element basic operate time $t_{basic}$	< 50 ms
Repeatability	$\pm 1\%$ or $\pm 10$ ms

### 67SEF Directional Sensitive Earth Fault – Measured 3V0/I0, $\phi$

Setting range $I_{set}$	0.01 to $0.5 \cdot I_{rated}$
Elements	Sensitive earth fault for resonant and isolated networks
Characteristic angle (CA)	-180° to +180°
Operating angle (OA)	0° to 180°

<sup>15</sup> Additional 9 ms to be considered when binary input is used for initiating 50LC.

<sup>16</sup> Applicable for 7SR1004-5-20-2CAO

# Technical Data

## Technical Data

Operate level	100 % $I_{set}$ , $\pm 5\%$ or 1 mA for $I_{rated}=1$ A 100 % $I_{set}$ , $\pm 5\%$ or 5 mA for $I_{rated}=5$ A
Reset level	$\geq 90\%$ $I_{op}$
Operating angle accuracy (forward)	CA+OA $\pm 3^\circ$ to CA-OA $\pm 3^\circ$
Non-directional element operating time	0 to $2 \cdot I_{set} - 35$ ms, $\pm 10$ ms 0 to $5 \cdot I_{set} - 25$ ms, $\pm 10$ ms
Directional element operate time $t_{basic}$	Typically 35 ms, < 50 ms at characteristic angle + non-directional element operate time
Operate time following delay	$t_{basic} + t_{delay}$ , $\pm 1\%$ or $\pm 10$ ms
Reset time	< 100 ms

### 50SEFLC Line Check Sensitive Earth Fault – Measured

Setting range $I_{set}$	0.005 to $5 \cdot I_{rated}$ 0.005 to $1.6 \cdot I_{rated}^{17}$
Delay setting $t_{delay}$	0.00 to 14400 s
Operate level $I_{op}$	100 % $I_{set}$ , $\pm 5\%$ or $\pm 1\%$ $I_{rated}$
Reset level	$\geq 95\%$ $I_{op}$ or $I_{op} - 0.1\%$ $I_{rated}$
Repeatability	$\pm 1\%$
Element basic operate time $t_{basic}$	0 to $2 \cdot I_{set}$ : 35 ms, $\pm 10$ ms 0 to $5 \cdot I_{set}$ : 25 ms, $\pm 10$ ms
Operate time following delay $t_{op}$	$t_{basic} + t_{delay}$ , $\pm 1\%$ or $\pm 10$ ms
Repeatability	$\pm 1\%$ or $\pm 10$ ms
Overshoot time	< 40 ms
Disengaging time	< 50 ms

### 51 Time-Delayed Overcurrent – Phase/67 Directional Overcurrent – Phase

Operation	Non-directional, forward and reverse	
Elements	Phase fault	
Characteristic	IEC-NI, -VI, -EI, -LTI; ANSI-MI, -VI, -EI; DTL	
Setting range $I_{set}$ (51)	0.05 to $4 \cdot I_{rated}$	
Time multiplier	0.01, 0.015 to 1.6, 1.7 to 5, 6 to 100	
Time delay	0 to 20 s	
Operate level	105 % $I_{set}$ , $\pm 4\%$ or $\pm 1\%$ $I_{rated}$	
Operate time	IEC	$t_{op} = \left[ \frac{K}{\left(\frac{I}{I_{set}}\right)^\alpha - 1} \right] \cdot T_m$
	ANSI	$t_{op} = \left[ \frac{A}{\left(\frac{I}{I_{set}}\right)^p - 1} + B \right] \cdot T_m$

Reset time IEC and ANSI Decaying curve	$t_{res} = \left[ \frac{R}{\left\{ 1 - \left(\frac{I}{I_{set}}\right)^2 \right\}} \right] \cdot T_m$
Directional (67)	$\pm 5\%$ or absolute $\pm 40$ ms for TMS setting (0.01 to 0.245) $\pm 5\%$ or absolute $\pm 30$ ms for TMS setting (0.25 to 100) Typically 32, < 40 ms at characteristic angle + 51 element operate time
Follower delay	0 s to 20 s
Reset	ANSI decaying, 0 s to 60 s
Inhibited by	Binary or virtual input Inrush detector VT supervision

### 51G Time-Delayed Earth Fault – Measured/67G Directional Earth Fault – Measured

Operation	Non-directional, forward and reverse	
Elements	Measured earth fault	
Characteristic	IEC-NI, -VI, -EI, -LTI; ANSI-MI, -VI, -EI; DTL	
Setting range $I_{set}$ (51G)	0.05 to $4 \cdot I_{rated}$ (Reyrolle 7SR10) 0.01 to $0.5 \cdot I_{rated}$ (Reyrolle 7SR105)	
Time multiplier	0.01, 0.015 to 1.6, 1.7 to 5, 6 to 100	
Time delay	0 to 20 s	
Operate level	105 % $I_{set}$ , $\pm 4\%$ or $\pm 1\%$ $I_{rated}$	
Operate time	IEC	$t_{op} = \left[ \frac{K}{\left(\frac{I}{I_{set}}\right)^\alpha - 1} \right] \cdot T_m$
	ANSI	$t_{op} = \left[ \frac{A}{\left(\frac{I}{I_{set}}\right)^p - 1} + B \right] \cdot T_m$
Reset time	IEC	$t_{res} = \left[ \frac{R}{\left\{ 1 - \left(\frac{I}{I_{set}}\right)^2 \right\}} \right] \cdot T_m$
	ANSI	$t_{res} = \left[ \frac{R}{\left\{ 1 - \left(\frac{I}{I_{set}}\right)^2 \right\}} \right] \cdot T_m$
Directional (67G)	$\pm 5\%$ or absolute $\pm 40$ ms for TMS setting (0.01 to 0.245) $\pm 5\%$ or absolute $\pm 30$ ms for TMS setting (0.25 to 100) Typically 32, < 40 ms at characteristic angle + 51G element operate time	
Follower delay	0 s to 20 s	

17 Applicable for 7SR1004-5-20-2CA0

Reset	ANSI decaying, 0 s to 60 s
Inhibited by	Binary or virtual input Inrush detector VT supervision

### 51N Time-Delayed Earth Fault – Calculated/67N Directional Earth Fault – Calculated

Operation	Non-directional, forward and reverse	
Elements	Derived earth fault	
Characteristic	IEC-NI, -VI, -EI, -LTI; ANSI-MI, -VI, -EI; DTL	
Setting range $I_{set}$ (51N)	0.05 to $4 \cdot I_{rated}$	
Time multiplier	0.01, 0.015 to 1.6, 1.7 to 5, 6 to 100	
Time delay	0 to 20 s	
Operate level	$105 \% I_{setr} \pm 4 \%$ or $\pm 1 \% \cdot I_{rated}$	
Operate time	IEC	$t_{op} = \left[ \frac{K}{\left(\frac{I}{I_{set}}\right)^\alpha - 1} \right] \cdot T_m$
	ANSI	$t_{op} = \left[ \frac{A}{\left(\frac{I}{I_{set}}\right)^P} + B \right] \cdot T_m$
Reset time	IEC	$t_{res} = \left[ \frac{R}{\left\{ 1 - \left(\frac{I}{I_{set}}\right)^2 \right\}} \right] \cdot T_m$
	ANSI	$t_{res} = \left[ \frac{R}{\left\{ 1 - \left(\frac{I}{I_{set}}\right)^2 \right\}} \right] \cdot T_m$
Directional (67N)	$\pm 5 \%$ or absolute $\pm 40$ ms for TMS setting (0.01 to 0.245) $\pm 5 \%$ or absolute $\pm 30$ ms for TMS setting (0.25 to 100) Typically 32, < 40 ms at characteristic angle + 51N element operate time	
Follower delay	0 s to 20 s	
Reset	ANSI decaying, 0 s to 60 s	
Inhibited by	Binary or virtual input Inrush detector VT supervision	

### 51SEF Time-Delayed Sensitive Earth Fault – Measured/67SEF Directional Sensitive Earth Fault – Measured

Operation	Non-directional, forward and reverse	
Elements	Sensitive earth fault	
Characteristic	IEC-NI, -VI, -EI, -LTI; ANSI-MI, -VI, -EI; DTL	
Setting range $I_{set}$ (51SEF)	0.005 to $0.5 \cdot I_{rated}$	

Time multiplier	0.01, 0.015 to 1.6, 1.7 to 5, 6 to 100	
Time delay	0 to 20 s	
Operate level	$105 \% I_{setr} \pm 4 \%$ or $\pm 1 \% \cdot I_{rated}$	
Operate time	IEC	$t_{op} = \left[ \frac{K}{\left(\frac{I}{I_{set}}\right)^\alpha - 1} \right] \cdot T_m$
	ANSI	$t_{op} = \left[ \frac{A}{\left(\frac{I}{I_{set}}\right)^P} + B \right] \cdot T_m$
Reset time	IEC	$t_{res} = \left[ \frac{R}{\left\{ 1 - \left(\frac{I}{I_{set}}\right)^2 \right\}} \right] \cdot T_m$
	ANSI	$t_{res} = \left[ \frac{R}{\left\{ 1 - \left(\frac{I}{I_{set}}\right)^2 \right\}} \right] \cdot T_m$
Directional (67SEF)	$\pm 5 \%$ or absolute $\pm 40$ ms for TMS setting (0.01 to 0.245) $\pm 5 \%$ or absolute $\pm 30$ ms for TMS setting (0.25 to 100) Typically 32, < 40 ms at characteristic angle + 51SEF element operate time	
Follower delay	0 s to 20 s	
Reset	ANSI decaying, 0 s to 60 s	
Inhibited by	Binary or virtual input Inrush detector VT supervision	

### 51V Voltage-Dependent Overcurrent Protection

Setting range	5 to 200 V
Operate level	$100 \% V_{setr} \pm 5 \%$ or $\pm 1 \% \cdot V_{rated}$
Multiplier	$0.25$ to $1 \cdot 51 I_{set}$
Inhibited by	VT supervision

### 55 Power Factor

Number of elements	2
Operation	Under or over, lead or lag
U/C guard	0.05 to 1.0
Setting range $PF_{set}$	0.05 to 0.99
Time delays	0 to 14400 s
Operate level	$\pm 0.05$
Basic operate time	$\leq 80$ ms
Operate time following delay	$t_{basic} + t_{delay} \pm 1 \%$ or $\pm 10$ ms
Inhibited by	Undercurrent guard, VTS, binary/virtual input

# Technical Data

## Technical Data

### 59N Neutral Voltage Displacement

Number of elements	DT & IT	
DT setting range $I_{set}$	1 to 100 V	
DT operate level	100 % $V_{setr} \pm 2\%$ or $\pm 0.5$ V	
DT delay setting $t_{delay}$	0 to 14400 s	
DT basic operate time:	0 V to $1.5 \cdot V_{set}$	76 ms $\pm 20$ ms
	0 V to $10 \cdot V_{set}$	63 ms $\pm 20$ ms
DT operate time following delay	$t_{basic} + t_{delay} \pm 1\%$ or $\pm 20$ ms	
IT char setting	IDMTL & DTL	
IT setting range	1 to 100 V	
Tm time multiplier (IDMT)	0.1 to 140	
Delay (DTL)	0 to 20 s	
Reset	0 to 60 s	
Char operate level	105 % $V_{setr} \pm 2\%$ or $\pm 0.5$ V	
Inhibited by	Binary or virtual input	

### 60CTS CT Supervision

CT	Current or $V_{nps}$ & $I_{nps}$
----	----------------------------------

### 60VTS VT Supervision

VT	NPS/ZPS
----	---------

4.3

### 64H Restricted Earth-Fault Protection – High-Impedance

Setting range	SEF input	0.005, 0.006 to 0.100, 0.105 to $0.950 \cdot I_{rated}$
	EF input	0.05, 0.055 to $0.95 \cdot I_{rated}$
Operate level		100 % $I_{setv} \pm 5\%$ or $\pm 1\% \cdot I_{rated}$
Time delay		0.00 to 14400 s
Basic operate time		0 to $2 \cdot I_{set}$ 45 ms $\pm 10$ ms
		0 to $5 \cdot I_{set}$ 35 ms $\pm 10$ ms
Inhibited by		Binary or virtual input

### 66 Number of Starts

Max. number of starts	OFF, 1 to 20
Max. starts period	1 min to 60 min
Start inhibit delay	1 min to 60 min
Time between starts	OFF, 1 min to 60 min

### 74CC Closing-Circuit Supervision

Number of supervisable circuits	3 x close
Number of BI's required	1 or 2 per function

### 74TC Trip-Circuit Supervision

Number of supervisable circuits	3 x trip
Number of BI's required	1 or 2 per function



#### NOTE

Use the correct threshold voltages for BI when using trip-circuit supervision with 2 BI.

### 79 Automatic Reclosing

Operating mode	Phase, earth, SEF, external
Number of reclose	1 to 4
Number of trips to lockout	1 to 5
Dead time	0 to 14400
Reclaim timer	0 to 600
Lockout reset	CB, timer & BI

### 81 Frequency Protection – "f>" or "f<"

Number of elements	4 under or over
Under voltage guard	Yes/no
Setting range Hz	43 to 68 Hz
Hysteresis setting	0 to 2 %
Operate level	100 % $f_{set} \pm 10$ mHz
Operate time	Typical < 190 ms
Operate delay $V_{set}$	0 to 14400 s

### 81HBL2 Inrush Current Detection

I setting (Ratio of 2 <sup>nd</sup> harmonic current to fundamental component current)	0.10 to 0.5
Element basic operate time $t_{basic}$	Will pickup before operation of any protection element due to inrush current
Reset time	Will operate until drop-off of any protection element due to inrush current

### 81I THD Total Harmonic Distortion Supervision

Setting $I_{THD}$	5 to 100 %
Delay setting $t_{delay}$	0.02, 0.03 to 20.00, 20.10 to 100, 101 to 1000, 1010 to 10000, 10100 to 14400 s

### TEMP Temperature Supervision

Temperature input type (temperature coefficient resistance based on DIN/IEC 60751 standard)	Cu10 (0.00427)
	Ni100 (0.00618)
	Pt100 (0.00385)
	Ni120 (0.00672)
	Pt250 (0.00385)
	Ni250 (0.00618)
	Pt1000 (0.00385)
Temperature input alarm	0 to 250 °C
Temperature input trip	0 to 250 °C
Operate value	100 % $T_{setr} \pm 2\%$ or $\pm 2$ °C, For Cu10: $\pm 2\%$ or $\pm 5$ °C



Response time	< 3 s
Sensing current	≤ 0.5 mA
Maximum lead resistance	25 Ω/lead; For Cu10: 2.5 Ω/lead

### Control Functions

Circuit breaker	Trip/close
Automatic reclosing	In/out
Instantaneous protection tripping	In/out
EF	In/out
SEF	In/out
Energized line	In/out
Operating mode	Local/remote/local or remote
Reset	LEDs & BOs (test/reset key)
Motor (Reyrolle 7SR105)	Start/stop

### Circuit-Breaker Wear

Counter for circuit-breaker wear	Total and delta, 0 to 10000
Alarm I <sup>2</sup> t	10 to 100000

# Technical Data

## Ordering Information

### Reyrolle 7SR10, Non-Directional Overcurrent Relay

Product Description	Order Number																						
	1	2	3	4	5	6	7	-	8	9	10	11	12	-	13	14	15	16	17	18	19	20	
<b>Reyrolle 7SR10 Argus</b>	7	S	R	1	0	0	□	-	□	□	□	□	0	-	□		□			□	□	□	□
<b>Non-Directional O/C Relay (Argus)</b>																							
<i>Housing, Inputs/Outputs, and Display</i>																							
Size 4 moulded case, 4 CT, 3 binary inputs, 3 binary outputs, 10 LEDs						2			1								A	0					
Size 4 moulded case, 4 CT, 6 binary inputs, 6 binary outputs, 10 LEDs						3						2						0					
Size 4 moulded case, 4 CT, 9 binary inputs, 6 binary outputs, 10 LEDs						3				M		2						1					
<i>Measuring Input</i>																							
1 A/5 A, 50 Hz/60 Hz <sup>18</sup>						2/3			1														
1 A/5 A, 50 Hz /60 Hz with SEF input <sup>19</sup>						3			2														
<i>Auxiliary Voltage</i>																							
AC 60 V to AC 240 V/DC 60 V to DC 240 V, binary input threshold AC 44 V/DC 44 V										L								0					
AC 60 V to AC 240 V/DC 60 V to DC 240 V, binary input threshold AC 88 V/DC 88 V										K								0					
DC 24 V to DC 60 V, binary input threshold DC 19 V										J								0					
DC 24 V to DC 240 V/AC 48 V to AC 240 V, binary input threshold AC/DC 19 V									1	M								1					
<i>Protective Cover</i>																							
Standard version – no cover											A												
Plastic cover with 1 push-button for test/reset											B												
<i>Communication Options</i>																							
Connection on front of the device: USB						2						1											
Connection on front of the device: USB and on the rear of the device: RS485 with support from IEC 60870-5-103, Modbus RTU, or DNP3						2/3						2											
<i>Front Fascia</i>																							
Standard version – with circuit-breaker control push-buttons															2								
<i>Protection and Supervision Functions</i>																C							
Standard version – included in all models																							
37 Undercurrent protection – phase																							
37G Undercurrent earth fault – measured <sup>18</sup>																							
37SEF Undercurrent earth fault - sensitive <sup>19</sup>																							
46BC Broken conductor detection																							
46NPS Negative sequence overcurrent protection																							
49 Thermal overload protection																							
50 Instantaneous overcurrent – phase																							
50AFD Arc flash detection <sup>20</sup>																							
50BF Circuit-breaker failure protection – 3-pole																							
50G Instantaneous earth fault – measured																							
50GLC Line-check overcurrent protection																							
50LC Line check																							

<sup>18</sup> 4CT is configured as 3PF + EF

<sup>19</sup> 4CT is configured as 3PF + SEF

<sup>20</sup> Refer 7XG31XX documents for Arc Fault Interface Module and sensor ordering information.

Product Description	Order Number									
50N Instantaneous earth fault – calculated										
50SEF Instantaneous sensitive earth fault – measured <sup>19 21</sup>										
50SEFLC Line check sensitive earth fault – measured										
51 Time-delayed overcurrent – phase										
51CL Cold load overcurrent – phase										
51G Time delayed earth fault – measured										
51N Time-delayed earth fault – calculated										
51SEF Time-delayed sensitive earth fault – measured <sup>19 21</sup>										
60CTS CT supervision										
64H Restricted earth fault protection – high-impedance										
74CC Closing-circuit supervision										
74TC Trip-circuit supervision										
81HBL2 Inrush current detection <sup>22</sup>										
81I_THD Total harmonic distortion supervision										
86 Lockout										
Programmable logic										
<i>Standard Version – Plus</i>										
79 Automatic reclosing	D									
<i>Conformal Coating of Printed Circuit Boards</i>										
Standard version – No conformal coating on printed circuit boards		A								
Conformal coating on printed circuit boards		B								
<i>Additional Options</i>										
None			0							
3 additional binary inputs			1							
Special version <sup>23</sup>	D				Z	Y	2	0		

<sup>21</sup> Only with position 7 = 3

<sup>22</sup> Not available on SEF input

<sup>23</sup> Special version for Turkey market with thermal withstand capability of 500 A (5 A CT), 1 sec and supporting Turkish scripts. Applicable only for 7SR1003-1[L/J]A20-2DA0-ZY20 and 7SR1003-1MA20-2Dx1-ZY20.

# Technical Data

## Ordering Information

### Reyrolle 7SR10, Directional Overcurrent Relay

Product Description	Order Number																					
	1	2	3	4	5	6	7	-	8	9	10	11	12	-	13	14					15	16
Reyrolle 7SR10 Argus	7	S	R	1	0	0	□	-	□	□	□	□	0	-	□		□	0	□	□	□	□
<b>Directional O/C Relay (Argus)</b>																						
<i>Housing, Inputs/Outputs, and Display</i>																						
Size 4 moulded case, 4 CT, 3 VT, 9 binary inputs, 6 binary outputs, 10 LEDs						4																
<i>Measuring Input</i>																						
1 A/5 A, 40 V to 160 V, 50 Hz/60 Hz <sup>24</sup>									3													
1 A/5 A, with SEF input, 40 V to 160 V, 50 Hz/60 Hz <sup>25</sup>									4													
1 A/5 A, 50 Hz/60Hz with SEF input, 63.5 V/110 V <sup>26</sup>									5													
<i>Auxiliary Voltage</i>																						
AC 60 V to AC 240 V/DC 60 V to DC 240 V, binary input threshold AC 44 V/DC 44 V										L												
AC 60 V to AC 240 V/DC 60 V to DC 240 V, binary input threshold AC 88 V/DC 88 V										K												
DC 24 V to DC 60 V, binary input threshold DC 19 V										J												
<i>Protective Cover</i>																						
Standard version – no cover										A												
Plastic cover with 1 push-button for test/reset										B												
<i>Communication Options</i>																						
Connection on front of the device: USB and on the rear of the device: RS485 with support from IEC 60870-5-103, Modbus RTU, or DNP3											2											
<i>Front Fascia</i>																						
Standard version – with circuit-breaker control push-buttons															2							
<i>Protection and Supervision Functions</i>																C						
Standard version – included in all models																						
27 Undervoltage protection – 3-phase																						
32 Power protection																						
32S Sensitive power protection <sup>25</sup>																						
37 Undercurrent protection – phase																						
37G Undercurrent earth fault – measured <sup>24</sup>																						
37SEF Undercurrent earth fault - sensitive <sup>25</sup>																						
46BC Broken conductor detection																						
46NPS Negative sequence overcurrent protection																						
47NPS Sequence overvoltage protection																						
49 Thermal overload protection																						
50 Instantaneous overcurrent – phase																						
50AFD Arc flash detection <sup>27</sup>																						
50BF Circuit-breaker failure protection																						
50G Instantaneous earth fault – measured <sup>24</sup>																						
50GLC Line-check overcurrent protection																						
50LC Line check																						

<sup>24</sup> 4CT is configured as 3PF + EF

<sup>25</sup> 4CT is configured as 3PF + SEF

<sup>26</sup> 4CT is configured as 3PF+SEF and this hardware supports Directional Earth fault  $V_0/I_0$  Phase angle measurement function as per CEI 0-16:2012 specification. Refer to setting range for 7SR1004-5xx20-2CA0 for 50SEF and 50SEFLC functions. 81I\_THD function is not available.

<sup>27</sup> Refer 7XG31XX documents for Arc Fault Interface Module and sensor ordering information.

Product Description	Order Number						
50N Instantaneous earth fault – calculated							
50SEF Instantaneous sensitive earth fault – measured <sup>25</sup>							
50SEFLC Line check sensitive earth fault – measured							
51 Time-delayed overcurrent – phase							
51CL Cold load overcurrent – phase							
51G Time delayed earth fault – measured <sup>24</sup>							
51N Time-delayed earth fault – calculated							
51SEF Time-delayed sensitive earth fault – measured <sup>25</sup>							
51V Voltage-dependent overcurrent protection							
55 Power factor							
59 Overvoltage protection – 3-phase							
59N Neutral voltage displacement							
60CTS CT supervision							
60VTS VT supervision							
64H Restricted earth fault protection – high-impedance							
67 Directional overcurrent – phase							
67G Directional earth fault – measured							
67N Directional earth fault – calculated							
67SEF Directional sensitive earth fault – measured							
67SEF Directional sensitive earth fault – measured 3V0/I0, φ (Resonant and Isolated Networks) <sup>26</sup>							
74CC Closing-circuit supervision							
74TC Trip-circuit supervision							
81 Frequency protection – "f>" or "f<"							
81HBL2 Inrush current detection <sup>28</sup>							
81I_THD Total harmonic distortion supervision							
86 Lockout							
Programmable logic							
<i>Standard Version – Plus</i>							
79 Automatic reclosing	D						
<i>Conformal Coating of Printed Circuit Boards</i>							
Standard version – No conformal coating on printed circuit boards		A					
Conformal coating on printed circuit boards		B					
Special version <sup>29</sup>	D		Z	Y	2	0	

<sup>28</sup> Not available on SEF input

<sup>29</sup> Special version for Turkey market with thermal withstand capability of 500 A (5 A CT), 1 sec and supporting Turkish scripts. Applicable only for 7SR1004-3xx20-2Dx0-ZY20.

# Technical Data

## Ordering Information

### Reyrolle 7SR105, Motor Protection Relay

Product Description	Order Number																					
	1	2	3	4	5	6	7	-	8	9	10	11	12	-	13	14	15	16				
<b>Reyrolle 7SR105 Rho</b>	7	S	R	1	0	5	□	-	□	□	□	□	□	-	□	□	□	0	□	□	□	□
<i>Housing, Inputs/Outputs, and Display</i>																						
Size 4 moulded case, 4 CT inputs, 6 binary inputs, 6 binary outputs, 10 LEDs								3														
<i>Measuring Input</i>																						
1 A/5 A, 50 Hz/60 Hz									2													
<i>Auxiliary Voltage</i>																						
AC 60 V to AC 240 V/DC 60 V to DC 240 V, binary input threshold AC 44 V/DC 44 V										L												
DC 24 V to DC 60 V, binary input threshold DC 19 V										J			1									
<i>Protective Cover</i>																						
Standard version – no cover										A												
<i>Communication Options</i>																						
Connection on front of the device: USB and on the rear of the device: RS485 with support from IEC 60870-5-103, Modbus RTU, or DNP3											2											
<i>Temperature Input</i>																						
Without RTD											1											
With 6 RTD inputs											2											
<i>Front Fascia</i>																						
Standard version – with circuit-breaker control push-buttons											2											
<i>Protection and Supervision Functions</i>															E							
Standard version – included in all models																						
14 Locked-rotor protection																						
37 Undercurrent protection – phase																						
46 Unbalanced-load protection																						
46PhRev Phase reversal																						
48 Starting-time supervision																						
49 Thermal overload protection																						
50 Instantaneous overcurrent – phase																						
50BCL Circuit-breaker failure protection																						
50BF Circuit-breaker failure protection – 3-pole																						
50G Circuit-breaker failure protection – 3-pole																						
50N Instantaneous earth fault – calculated																						
51 Time-delayed overcurrent – phase																						
51G Time delayed earth fault – measured																						
51N Time-delayed earth fault – calculated																						
66 Number of starts																						
74CC Closing-circuit supervision																						
74TC Trip-circuit supervision																						
81B Backspin monitor																						
CB counters																						
I <sup>Δ</sup> 2t Circuit-breaker wear monitoring																						
Programmable logic																						
<i>Standard Version Plus</i>																						
Additional function in temperature input version model														F								
<i>Conformal Coating of Printed Circuit Boards</i>																						
Standard version – no conformal coating																A						
Option: with conformal coating																B						

4.4

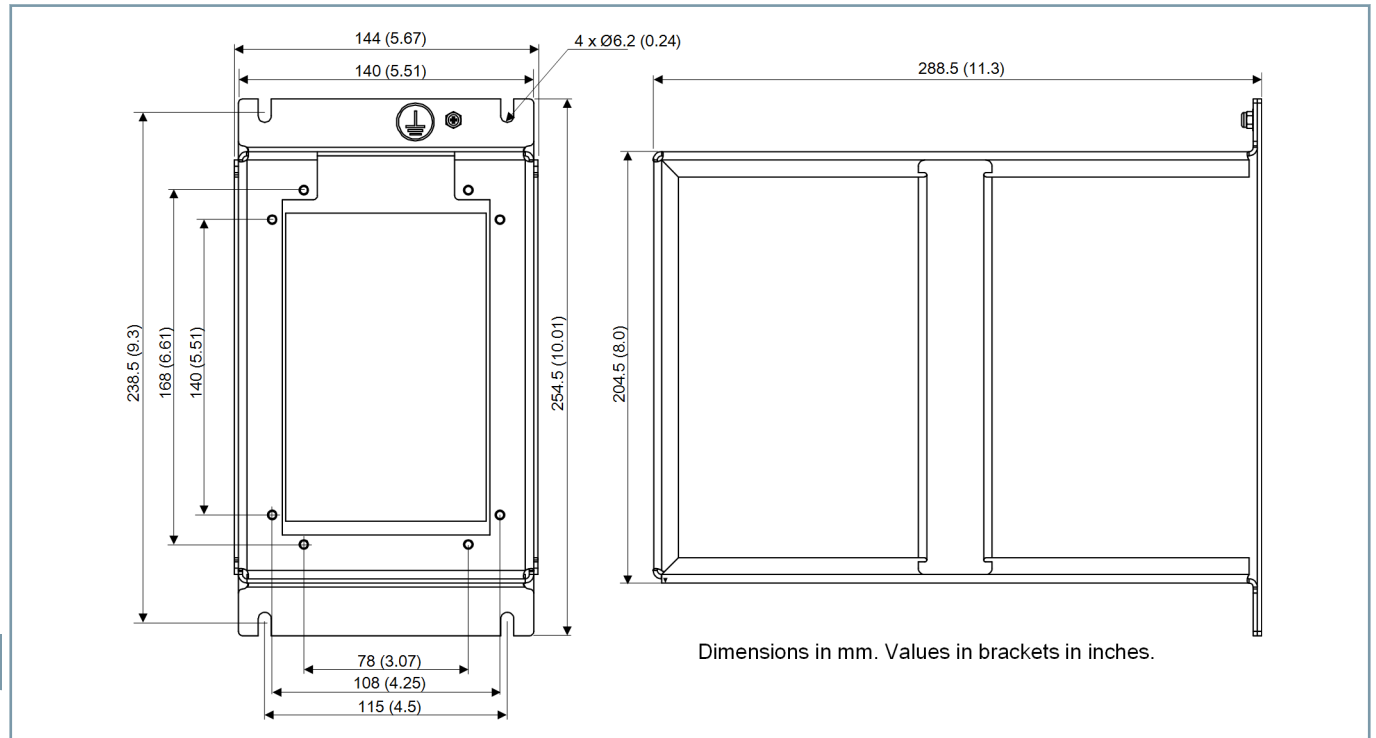
# Technical Data

## Ordering Information

### Ordering Information – Reyrolle 7SR10, Reyrolle 7SR105 Spares and Accessories

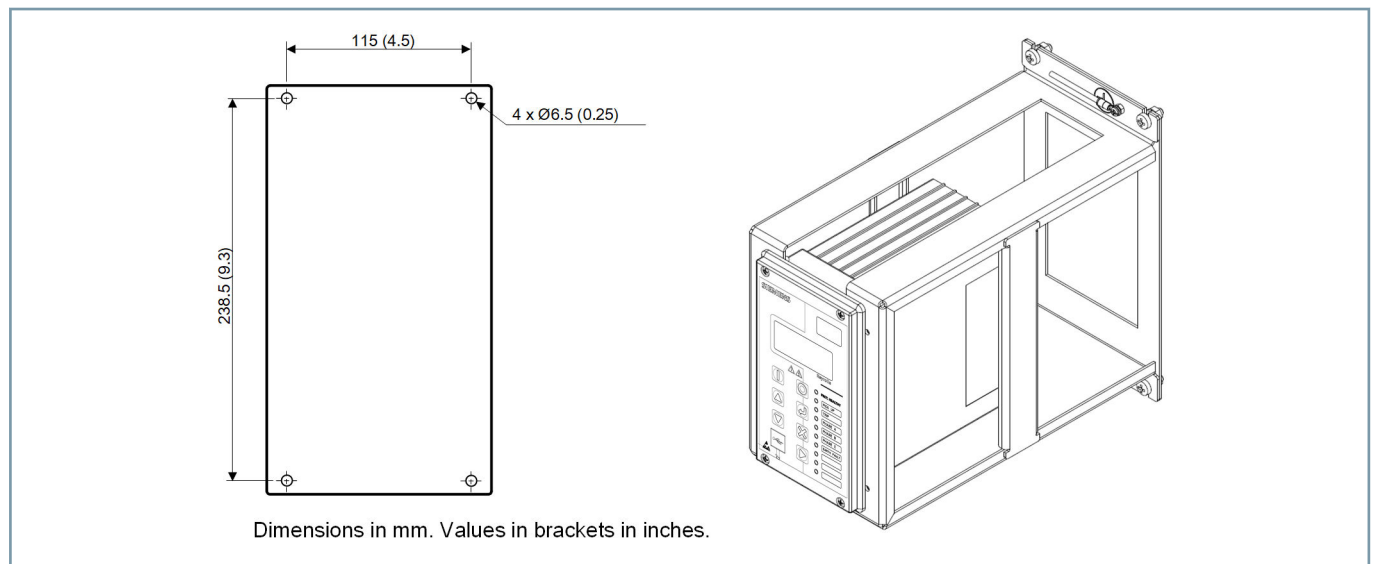
Accessory Variant	Description
7XG1900-0MA57-0FCO	Transparent front cover
7XG1900-0MA55-0FCO	Surface mounting bracket

### Surface Mounting Bracket Dimensions and Panel Cut-out View



[dw\_7SR45\_surface-mount-bracket\_dim\_2\_en\_US]

Figure 4.4/1 Front and Side Views



[7SR10-105\_surface-mount-bracket\_panel\_2\_en\_US]

Figure 4.4/2 Mounting Holes for Surface-Mounting Housing Bracket and Assembled Bracket with Reyrolle 7SR10/Reyrolle 7SR105

## Indication of conformity



This product complies with the directive of the Council of the European Communities on harmonization of the laws of the Member States relating to electromagnetic compatibility (EMC Directive 2014/30/EU) and concerning electrical equipment for use within specified voltage limits (Low Voltage Directive 2014/35/EU) as well as restriction on usage of hazardous substances in electrical and electronic equipment (RoHS Directive 2011/65/EU).

This conformity has been proved by tests conducted by Siemens AG in accordance of the Council Directive in accordance with the product standard IEC/EN 60255-26 for the EMC directives, and with the standard IEC/EN 60255-27 for the low-voltage directive.

RoHS directive 2011/65/EU is met using the standard EN 63000. The device has been designed and produced for industrial use.

## Disclaimer of liability

This document has been subjected to rigorous technical review before being published. It is revised at regular intervals, and any modifications and amendments are included in the subsequent issues. The content of this document has been compiled for information purposes only. Although Siemens AG has made best efforts to keep the document as precise and up-to-date as possible, Siemens AG shall not assume any liability for defects and damage which result through use of the information contained herein. This content does not form part of a contract or of business relations; nor does it change these. All obligations of Siemens AG are stated in the relevant contractual agreements. Siemens AG reserves the right to revise this documentation time to time.

Document Edition: 19

Release Status: 06.2024

Version of the products described: V1.00

## Copyright

Copyright © Siemens AG 2024. All rights reserved. The disclosure, duplication, distribution and editing of this document, or utilization and communication of the content are not permitted, unless authorized in writing. All rights, including rights created by patent grant or registration of a utility model or a design, are reserved.

## Registered trademarks

Reyrolle® and Reydisp® are registered trademarks of Siemens. Any unauthorized use is prohibited.



**Published by Siemens**  
Smart Infrastructure  
Electrification & Automation  
Mozartstr. 31C  
91052 Erlangen  
Germany

**For the U.S. published by**  
Siemens Industry Inc.  
100 Technology Drive  
Alpharetta, GA 30005  
**United States**

**Our Customer Support Center provides a  
24-hour service.**

Siemens Electrification & Automation  
Global Support  
Single Entry Point  
support.ea.si@siemens.com  
Phone: +49 9131 1743072

Article No: C53000-X7040-C021-1

Subject to changes and errors.

The information given in this document only contains general descriptions and / or performance features which may not always specifically reflect those described or which may undergo modification in the course of further development of the products.

The requested performance features are binding only when they are expressly agreed upon in the concluded contract.