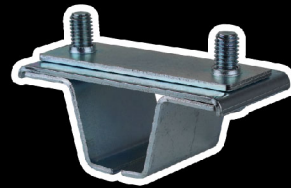
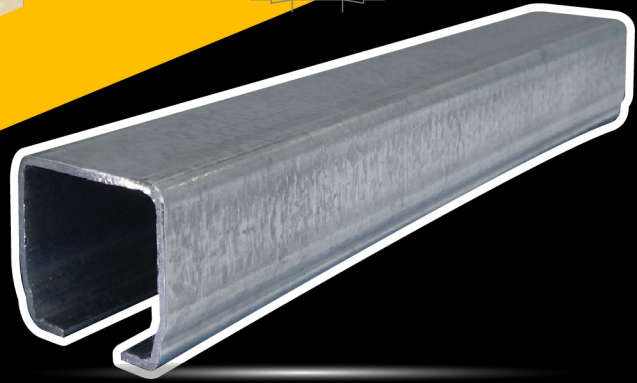
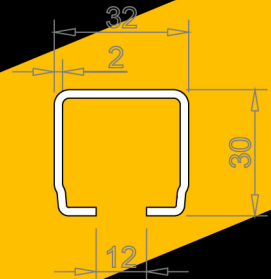


# TITAN C-TRACK FESTOONS SYSTEMS



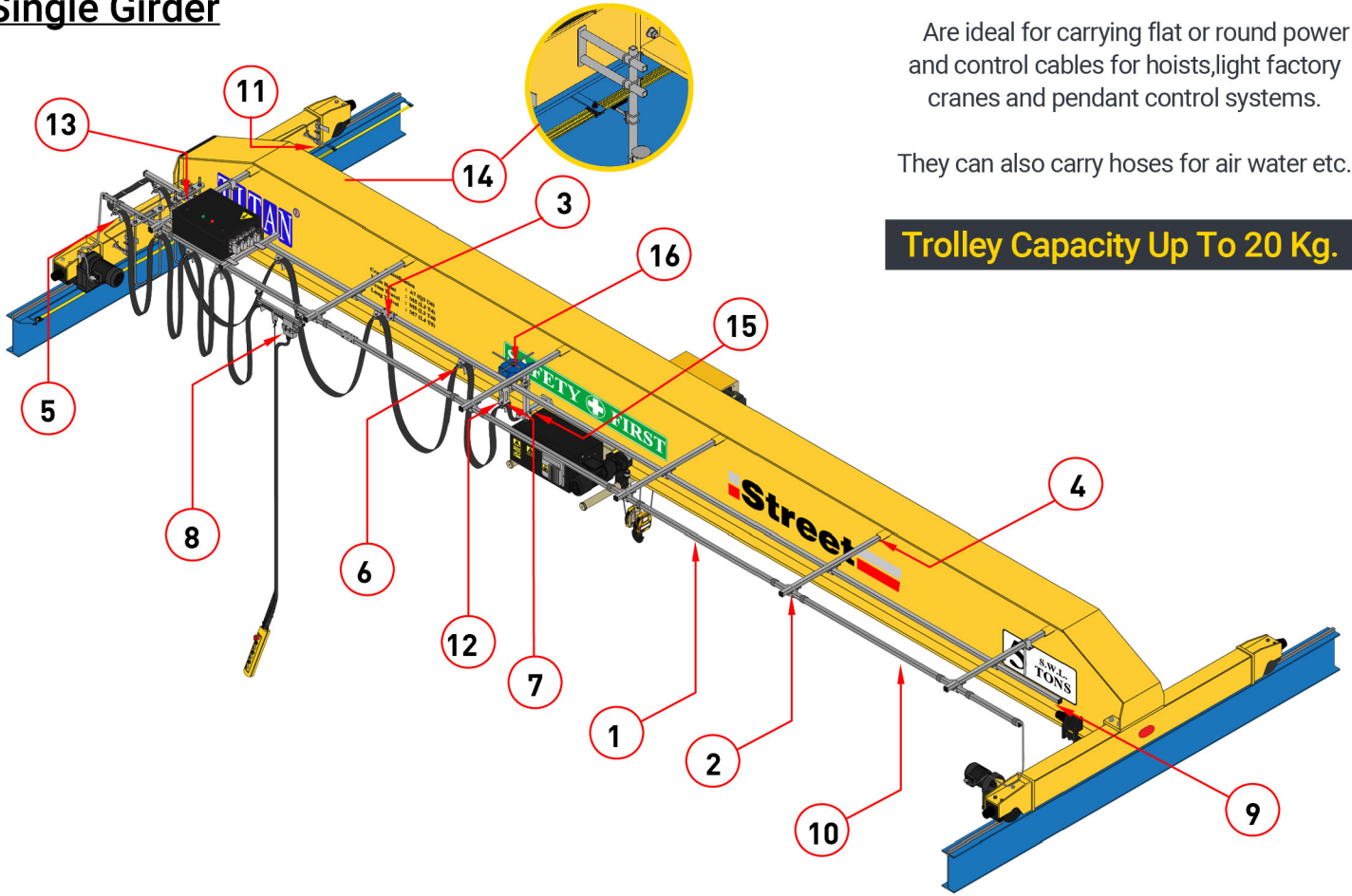
- UNIVERSAL COMPONENTS
- FESTOON CABLE SYSTEM ACCESSORY
- ELECTRICAL INSTALLATION MATERIAL

ISO 9001 : 2015



# C-Track Festoon Cable Systems

## Single Girder

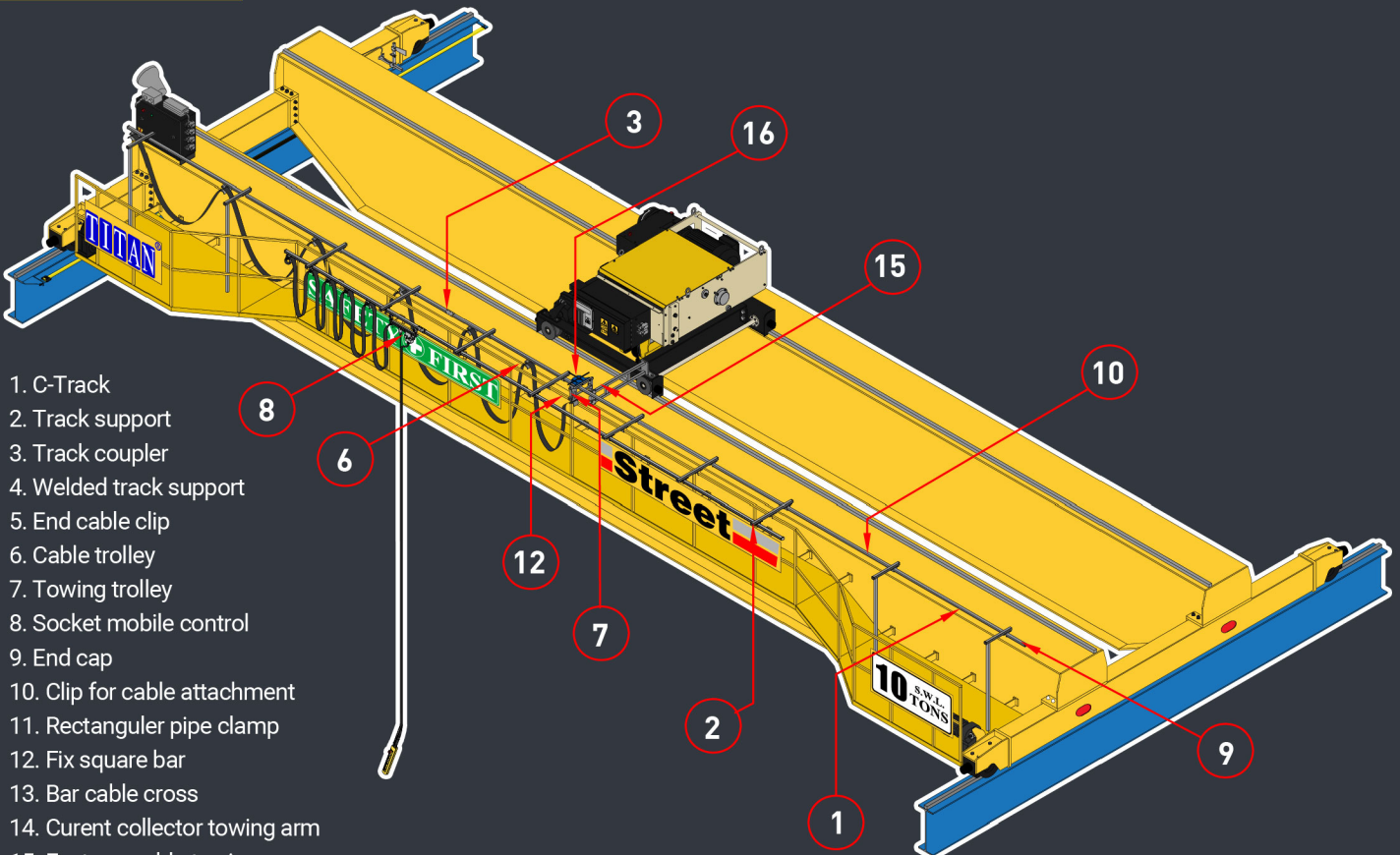


Are ideal for carrying flat or round power and control cables for hoists, light factory cranes and pendant control systems.

They can also carry hoses for air water etc.

**Trolley Capacity Up To 20 Kg.**

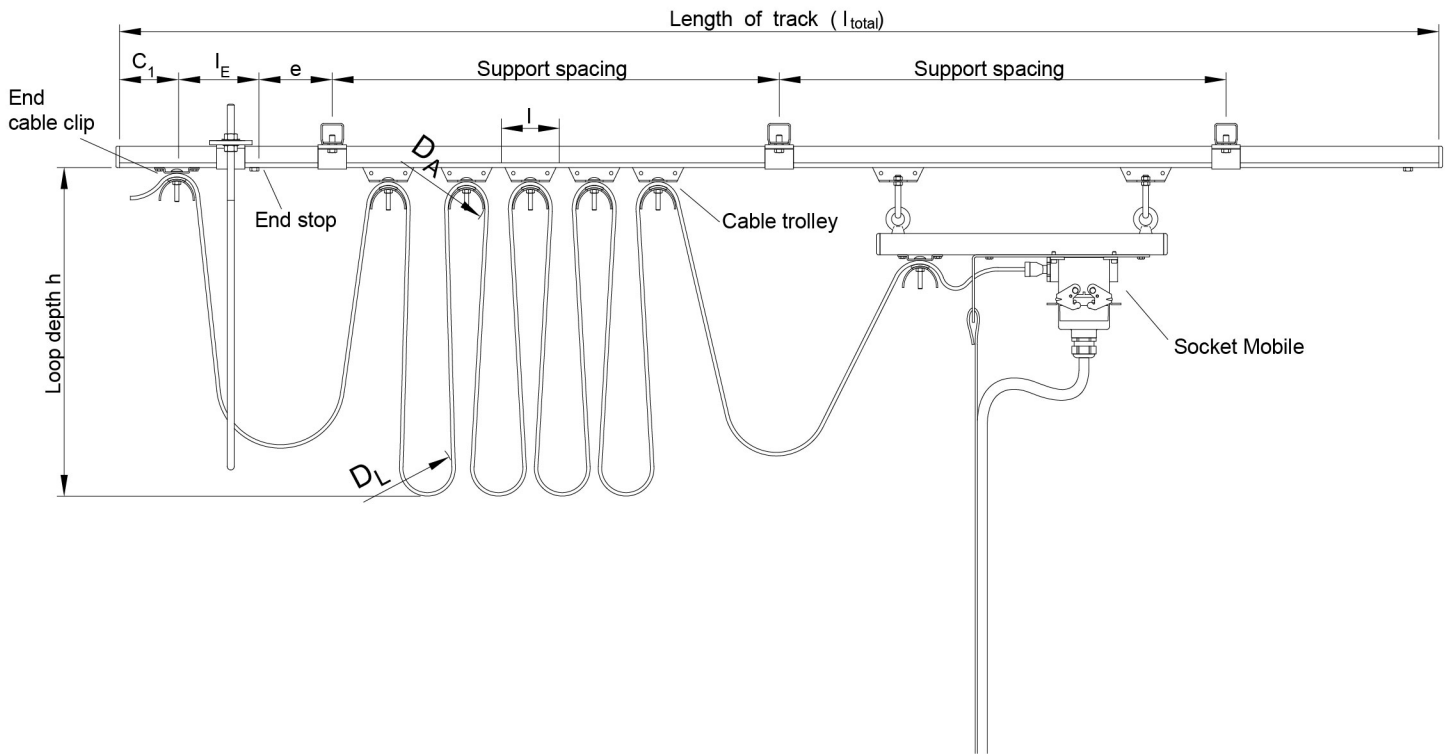
## Double Girder



1. C-Track
2. Track support
3. Track coupler
4. Welded track support
5. End cable clip
6. Cable trolley
7. Towing trolley
8. Socket mobile control
9. End cap
10. Clip for cable attachment
11. Rectangular pipe clamp
12. Fix square bar
13. Bar cable cross
14. Current collector towing arm
15. Festoon cable towing arm
16. Rectangular pipe

# Cable trolleys and accessories for C-track system

## C-track power supply system selection



## Technical data

$l_{total}$ [m]	= Length of track	$l$ [m]	= Length of one cable trolley
$s$ [m]	= Crap or crane travelling distance	$e$ [m]	= Tolerance
$h$ [m]	= Cable loop (measured from top face of cable carrier)	$D_A$ [m]	= Cable support diameter
$h_{total}$ [m]	= Cable loop (measured from lower face of C-track)	$D_L$ [m]	= Bending diameter of cable loop
$n$ [m]	= Numer of loops	$d$ [m]	= min. cable diameter or min. cable thickness
$g$ [m]	= Ambush length from centre of end clamp to middle of towing arm	$f_{total}$	= Factor for cable length addition
	$g = l_E + (n + 1) l + l_M$	$L_{loop}$ [m]	= Total length of cable
		$L$ [m]	= Cable length of single loop from centre of support to centre of support

## Formula, exact calculation

Number of loop

$$n = f \cdot \frac{s+g+e}{2h+1.25 D_A} \quad \text{or} \quad n = f \cdot \frac{s+e}{2h+1.25 D_A - f \cdot l}$$

Depth of cable loop

$$h = f \frac{s+g+e}{2n} - 0.63 D_A \text{ [m]} \quad \text{or} \quad h = \frac{f}{2} \left( \frac{s+e}{n} + l \right) - 0.63 D_A \text{ [m]}$$

Total length of cable

$$L_{total} = f(s+g+e) + \sum J \text{ [m]}$$

Length of individual loop

$h = \text{constant}$

$$L_{loop} = f \cdot \frac{s+g+e}{n} \text{ [m]}$$

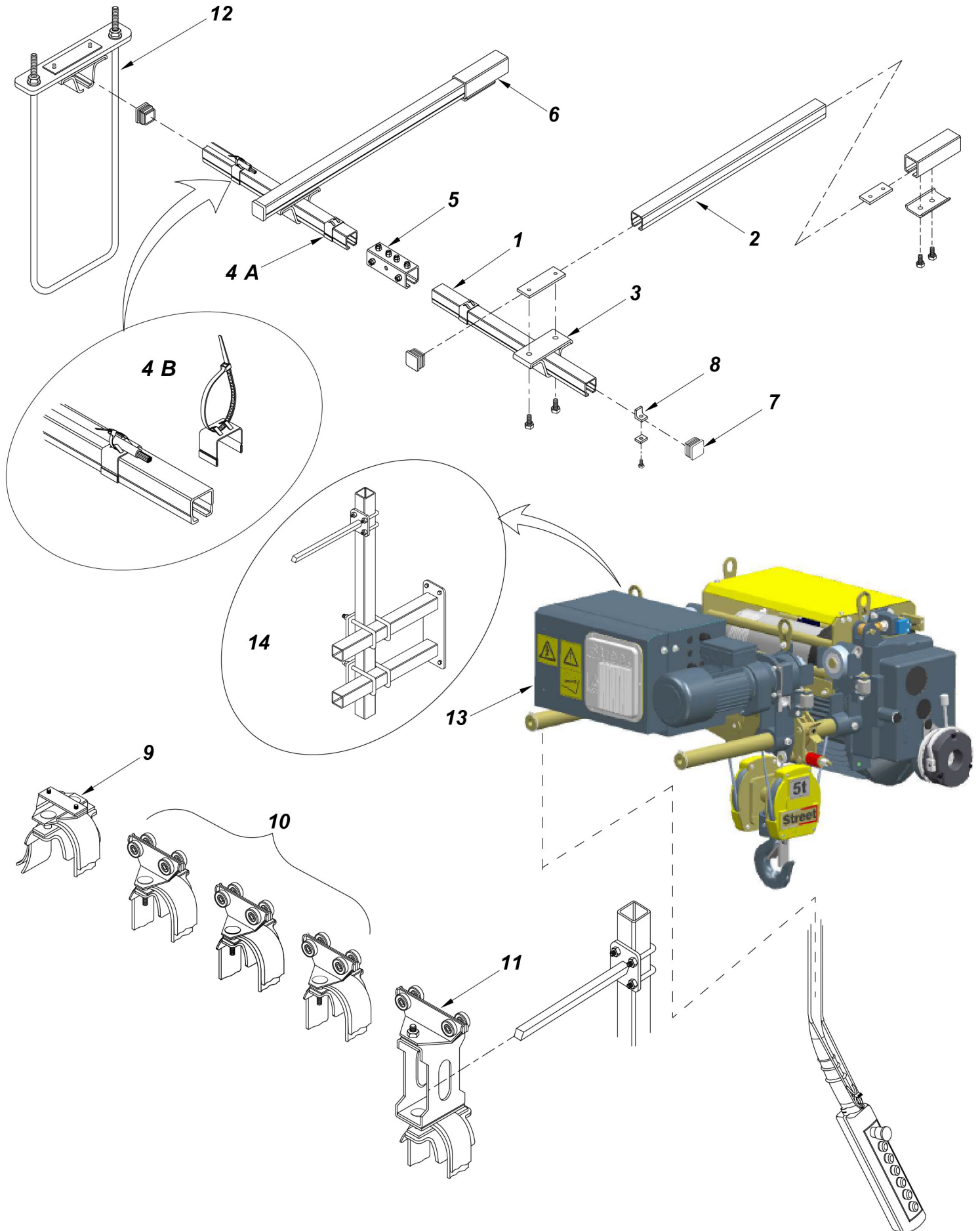
$h = \text{graduated}$

$$L_{loop} = 2h + 1.25 D_A \text{ [m]}$$

$\sum J$  = Length addition for installation on both sides

$$\text{control : } \sum L_{loop} = L_{total} - \sum J$$

# For Single Girder & Double Girder Festoon Track With Suspended Control



# For Single Girder Festoon Track With Suspended Control

## FESTOON KITS ( 4 m. C-track Lengths )

### KIT PART NUMBER

Crane Span (m)				4	5	6	7	8	9	10	11	12	13	14	15	16	17	18	19	20	21	22	23	24	25	26	27	28	29	30	31	32	33	34	35	36	37	38	39	40
QUANTITY REQUIRED FOR KIT																																								
Item	Part Number	Description	Unit																																					
1	2-220-0025	C-track	m.	4	5	6	7	8	9	10	11	12	13	14	15	16	17	18	19	20	21	22	23	24	25	26	27	28	29	30	31	32	33	34	35	36	37	38	40	
2	2-220-0022	C-track arm (300 mm.)	Pcs.	3	4	5	5	6	7	8	8	9	10	10	11	12	12	13	14	14	15	16	16	17	18	18	19	20	20	21	22	22	23	24	24	25	26	26	27	28
3	2-220-0002	Track support	Pcs.	3	4	5	5	6	7	8	8	9	10	10	11	12	12	13	14	14	15	16	16	17	18	18	19	20	20	21	22	22	23	24	24	25	26	26	27	28
4	2-220-0003	Track coupler	Pcs.	0	1	1	1	1	2	2	2	2	3	3	3	3	4	4	4	4	5	5	5	5	6	6	6	6	7	7	7	7	8	8	8	8	9	9	9	9
5	2-220-0004	Towing trolley	Pcs.	1	1	1	1	1	1	1	1	1	1	1	1	1	1	1	1	1	1	1	1	1	1	1	1	1	1	1	1	1	1	1	1	1	1	1	1	1
6	2-220-0005	Cable trolley	Pcs.	2	3	3	4	4	5	5	6	6	7	7	8	8	9	9	10	10	11	11	12	12	13	13	13	13	14	14	15	15	16	16	17	17	17	18	18	19
7	2-220-0006	End stop-C	Pcs.	1	1	1	1	1	1	1	1	1	1	1	1	1	1	1	1	1	1	1	1	1	1	1	1	1	1	1	1	1	1	1	1	1	1	1	1	1
8	2-220-0007	End cap-C	Pcs.	5	6	7	7	8	9	10	10	11	12	12	13	14	14	15	16	16	17	18	18	19	20	20	21	22	22	23	24	24	25	26	26	27	28	28	29	29
9	2-220-0008	End cable clip	Pcs.	1	1	1	1	1	1	1	1	1	1	1	1	1	1	1	1	1	1	1	1	1	1	1	1	1	1	1	1	1	1	1	1	1	1	1	1	1
10	2-220-0009	Clip for cable attachment	Pcs.	9	12	15	15	18	21	24	24	27	30	30	33	36	36	39	42	42	45	48	48	51	54	54	57	60	60	63	66	66	69	72	72	75	78	78	81	84
11	2-220-0010	Welded rail support	Pcs.	3	4	5	5	6	7	8	8	9	10	10	11	12	12	13	14	14	15	16	16	17	18	18	19	20	20	21	22	22	23	24	24	25	26	26	27	27
12	2-220-0011	Bar cable cross	Pcs.	1	1	1	1	1	1	1	1	1	1	1	1	1	1	1	1	1	1	1	1	1	1	1	1	1	1	1	1	1	1	1	1	1	1	1	1	1
13	2-220-0012	Socket mobile control 16 P.	Set	1	1	1	1	1	1	1	1	1	1	1	1	1	1	1	1	1	1	1	1	1	1	1	1	1	1	1	1	1	1	1	1	1	1	1	1	1
14	3-230-0007	Festoon cable towing arm (A)	Set	1	1	1	1	1	1	1	1	1	1	1	1	1	1	1	1	1	1	1	1	1	1	1	1	1	1	1	1	1	1	1	1	1	1	1	1	1

### Note :

- Span > 4 m. < 20 m. Cable trolley Between 1.5 m.
- Span > 21 m. < 26 m. Cable trolley Between 1.8 m.
- Span > 26 m. < 40 m. Cable trolley Between 2 m.

# For Double Girder Festoon Track With Suspended Control

## FESTOON KITS ( 4 m. C-track Lengths )

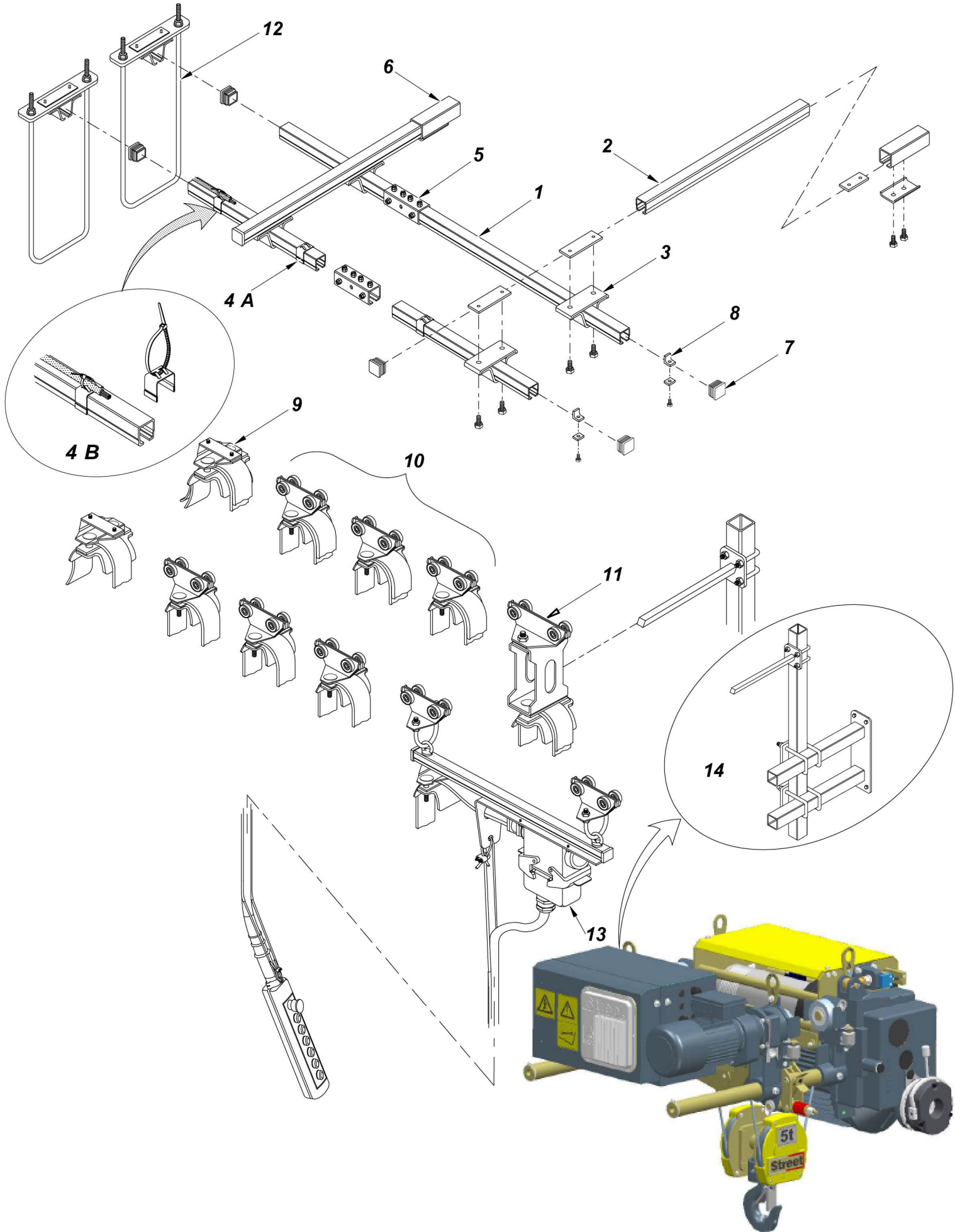
### KIT PART NUMBER

Crane Span (m)				4	5	6	7	8	9	10	11	12	13	14	15	16	17	18	19	20	21	22	23	24	25	26	27	28	29	30	31	32	33	34	35	36	37	38	39	40	
QUANTITY REQUIRED FOR KIT																																									
Item	Part Number	Description	Unit																																						
1	2-220-0025	C-track	m.	4	5	6	7	8	9	10	11	12	13	14	15	16	17	18	19	20	21	22	23	24	25	26	27	28	29	30	31	32	33	34	35	36	37	38	40		
2	2-220-0022	C-track arm (300 mm.)	Pcs.	3	4	5	5	6	7	8	8	9	10	10	11	12	12	13	14	14	15	16	16	17	18	18	19	20	20	21	22	22	23	24	24	25	26	26	27	28	
3	2-220-0002	Track support	Pcs.	3	4	5	5	6	7	8	8	9	10	10	11	12	12	13	14	14	15	16	16	17	18	18	19	20	20	21	22	22	23	24	24	25	26	26	27	28	
4	2-220-0003	Track coupler	Pcs.	0	1	1	1	1	2	2	2	2	3	3	3	3	4	4	4	4	5	5	5	5	6	6	6	6	7	7	7	7	8	8	8	8	9	9	9	9	
5	2-220-0004	Towing trolley	Pcs.	1	1	1	1	1	1	1	1	1	1	1	1	1	1	1	1	1	1	1	1	1	1	1	1	1	1	1	1	1	1	1	1	1	1	1	1	1	1
6	2-220-0005	Cable trolley	Pcs.	2	3	3	4	4	5	5	6	6	7	7	8	8	9	9	10	10	11	11	12	12	13	13	13	13	14	14	15	15	16	16	17	17	17	18	18	19	
7	2-220-0006	End stop-C	Pcs.	1	1	1	1	1	1	1	1	1	1	1	1	1	1	1	1	1	1	1	1	1	1	1	1	1	1	1	1	1	1	1	1	1	1	1	1	1	1
8	2-220-0007	End cap-C	Pcs.	5	6	7	7	8	9	10	10	11	12	12	13	14	14	15	16	16	17	18	18	19	20	20	21	22	22	23	24	24	25	26	26	27	28	28	29	29	
9	2-220-0008	End cable clip	Pcs.	1	1	1	1	1	1	1	1	1	1	1	1	1	1	1	1	1	1	1	1	1	1	1	1	1	1	1	1	1	1	1	1	1	1	1	1	1	1
10	2-220-0009	Clip for cable attachment	Pcs.	9	12	15	15	18	21	24	24	27	30	30	33	36	36	39	42	42	45	48	48	51	54	54	57	60	60	63	66	66	69	72	72	75	78	78	81	84	
11	2-220-0010	Welded rail support	Pcs.	3	4	5	5	6	7	8	8	9	10	10	11	12	12	13	14	14	15	16	16	17	18	18	19	20	20	21	22	22	23	24	24	25	26	26	27	27	
12	2-220-0011	Bar cable cross	Pcs.	1	1	1	1	1	1	1	1	1	1	1	1	1	1	1	1	1	1	1	1	1	1	1	1	1	1	1	1	1	1	1	1	1	1	1	1	1	1
13	2-220-0012	Socket mobile control 16 P.	Set	1	1	1	1	1	1	1	1	1	1	1	1	1	1	1	1	1	1	1	1	1	1	1	1	1	1	1	1	1	1	1	1	1	1	1	1	1	1
14	3-230-0007	Festoon cable towing arm (A)	Set	1	1	1	1	1	1	1	1	1	1	1	1	1	1	1	1	1	1	1	1	1	1	1	1	1	1	1	1	1	1	1	1	1	1	1	1	1	1

### Note :

- Span > 4 m. < 20 m. Cable trolley Between 1.5 m.
- Span > 21 m. < 26 m. Cable trolley Between 1.8 m.
- Span > 26 m. < 40 m. Cable trolley Between 2 m.

# For Single & Double Girder Festoon Track With Mobile Control



# For Single Girder Festoon Track With Mobile Control

## FESTOON KITS ( 4 m. C-track Lengths )

### KIT PART NUMBER

Crane Span (m)				4	5	6	7	8	9	10	11	12	13	14	15	16	17	18	19	20	21	22	23	24	25	26	27	28	29	30	31	32	33	34	35	36	37	38	39	40
QUANTITY REQUIRED FOR KIT																																								
Item	Part Number	Description	Unit																																					
1	2-220-0025	C-track	m.	8	10	12	14	16	18	20	22	24	26	28	30	32	34	36	38	40	42	44	46	48	50	52	54	56	58	60	62	64	66	68	70	72	74	76	78	80
2	2-220-0022	C-track arm (300 mm.)	Pcs.	3	4	5	5	6	7	8	8	9	10	10	11	12	12	13	14	14	15	16	16	17	18	18	19	20	20	21	22	22	23	24	24	25	26	26	27	28
3	2-220-0002	Track support	Pcs.	6	8	10	10	12	14	16	16	18	20	20	22	24	24	26	28	28	30	32	32	34	36	36	38	40	40	42	44	44	46	48	48	50	52	52	54	56
4	2-220-0003	Track coupler	Pcs.	0	2	2	2	2	4	4	4	4	6	6	6	6	8	8	8	8	10	10	10	10	12	12	12	12	14	14	14	16	16	16	16	18	18	18	18	18
5	2-220-0004	Towing trolley	Pcs.	1	1	1	1	1	1	1	1	1	1	1	1	1	1	1	1	1	1	1	1	1	1	1	1	1	1	1	1	1	1	1	1	1	1	1	1	1
6	2-220-0005	Cable trolley	Pcs.	4	6	6	8	8	10	10	12	12	14	14	16	16	18	18	20	20	22	22	24	24	26	26	26	26	28	28	30	30	32	32	34	34	34	36	38	38
7	2-220-0006	End stop-C	Pcs.	1	1	1	1	1	1	1	1	1	1	1	1	1	1	1	1	1	1	1	1	1	1	1	1	1	1	1	1	1	1	1	1	1	1	1	1	1
8	2-220-0007	End cap-C	Pcs.	7	8	9	9	10	11	12	12	13	14	14	15	16	16	17	18	18	19	20	20	21	22	22	23	24	24	25	26	26	27	28	28	29	30	30	31	31
9	2-220-0008	End cable clip	Pcs.	2	2	2	2	2	2	2	2	2	2	2	2	2	2	2	2	2	2	2	2	2	2	2	2	2	2	2	2	2	2	2	2	2	2	2	2	2
10	2-220-0009	Clip for cable attachment	Pcs.	9	12	15	15	18	21	24	24	27	30	30	33	36	36	39	42	42	45	48	48	51	54	54	57	60	60	63	66	66	69	72	72	75	78	78	81	84
11	2-220-0010	Welded rail support	Pcs.	3	4	5	5	6	7	8	8	9	10	10	11	12	12	13	14	14	15	16	16	17	18	18	19	20	20	21	22	23	24	24	25	26	26	27	27	
12	2-220-0011	Bar cable cross	Pcs.	2	2	2	2	2	2	2	2	2	2	2	2	2	2	2	2	2	2	2	2	2	2	2	2	2	2	2	2	2	2	2	2	2	2	2	2	2
13	2-220-0012	Socket mobile control 16 P.	Set	1	1	1	1	1	1	1	1	1	1	1	1	1	1	1	1	1	1	1	1	1	1	1	1	1	1	1	1	1	1	1	1	1	1	1	1	1
14	3-230-0007	Festoon cable towing arm (A)	Set	1	1	1	1	1	1	1	1	1	1	1	1	1	1	1	1	1	1	1	1	1	1	1	1	1	1	1	1	1	1	1	1	1	1	1	1	1

**Note :**

- Span > 4 m. < 20 m. Cable trolley Between 1.5 m.
- Span > 21 m. < 26 m. Cable trolley Between 1.8 m.
- Span > 26 m. < 40 m. Cable trolley Between 2 m.

# For Double Girder Festoon Track With Mobile Control

## FESTOON KITS ( 4 m. C-track Lengths )

### KIT PART NUMBER

Crane Span (m)				4	5	6	7	8	9	10	11	12	13	14	15	16	17	18	19	20	21	22	23	24	25	26	27	28	29	30	31	32	33	34	35	36	37	38	39	40	
QUANTITY REQUIRED FOR KIT																																									
Item	Part Number	Description	Unit																																						
1	2-220-0025	C-track	m.	8	10	12	14	16	18	20	22	24	26	28	30	32	34	36	38	40	42	44	46	48	50	52	54	56	58	60	62	64	66	68	70	72	74	76	78	80	
2	2-220-0022	C-track arm (300 mm.)	Pcs.	3	4	5	5	6	7	8	8	9	10	10	11	12	12	13	14	14	15	16	16	17	18	18	19	20	20	21	22	22	23	24	24	25	26	26	27	28	
3	2-220-0002	Track support	Pcs.	6	8	10	10	12	14	16	16	18	20	20	22	24	24	26	28	28	30	32	32	34	36	36	38	40	40	42	44	44	46	48	48	50	52	52	54	56	
4	2-220-0003	Track coupler	Pcs.	0	2	2	2	2	4	4	4	4	6	6	6	6	8	8	8	8	10	10	10	10	12	12	12	12	14	14	14	16	16	16	16	18	18	18	18	18	
5	2-220-0004	Towing trolley	Pcs.	1	1	1	1	1	1	1	1	1	1	1	1	1	1	1	1	1	1	1	1	1	1	1	1	1	1	1	1	1	1	1	1	1	1	1	1	1	1
6	2-220-0005	Cable trolley	Pcs.	4	6	6	8	8	10	10	12	12	14	14	16	16	18	18	20	20	22	22	24	24	26	26	26	26	28	28	30	30	32	32	34	34	34	36	38	38	
7	2-220-0006	End stop-C	Pcs.	1	1	1	1	1	1	1	1	1	1	1	1	1	1	1	1	1	1	1	1	1	1	1	1	1	1	1	1	1	1	1	1	1	1	1	1	1	1
8	2-220-0007	End cap-C	Pcs.	7	8	9	9	10	11	12	12	13	14	14	15	16	16	17	18	18	19	20	20	21	22	22	23	24	24	25	26	26	27	28	28	29	30	30	31	31	
9	2-220-0008	End cable clip	Pcs.	2	2	2	2	2	2	2	2	2	2	2	2	2	2	2	2	2	2	2	2	2	2	2	2	2	2	2	2	2	2	2	2	2	2	2	2	2	2
10	2-220-0009	Clip for cable attachment	Pcs.	9	12	15	15	18	21	24	24	27	30	30	33	36	36	39	42	42	45	48	48	51	54	54	57	60	60	63	66	66	69	72	72	75	78	78	81	84	
11	2-220-0010	Welded rail support	Pcs.	3	4	5	5	6	7	8	8	9	10	10	11	12	12	13	14	14	15	16	16	17	18	18	19	20	20	21	22	23	24	24	25	26	26	27	27		
12	2-220-0011	Bar cable cross	Pcs.	2	2	2	2	2	2	2	2	2	2	2	2	2	2	2	2	2	2	2	2	2	2	2	2	2	2	2	2	2	2	2	2	2	2	2	2	2	2
13	2-220-0012	Socket mobile control 16 P.	Set	1	1	1	1	1	1	1	1	1	1	1	1	1	1	1	1	1	1	1	1	1	1	1	1	1	1	1	1	1	1	1	1	1	1	1	1	1	1
14	3-230-0007	Festoon cable towing arm (A)	Set	1	1	1	1	1	1	1	1	1	1	1	1	1	1	1	1	1	1	1	1	1	1	1	1	1	1	1	1	1	1	1	1	1	1	1	1	1	1

**Note :**

- Span > 4 m. < 20 m. Cable trolley Between 1.5 m.
- Span > 21 m. < 26 m. Cable trolley Between 1.8 m.
- Span > 26 m. < 40 m. Cable trolley Between 2 m.

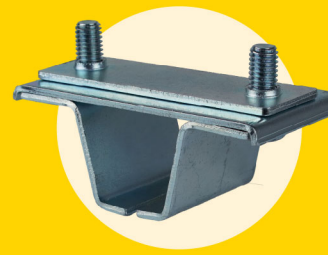
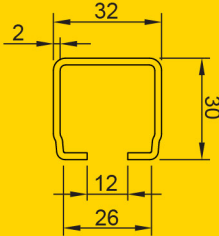
# "TITAN" C-track festoon and accessories



## C-track

Order No.	Length (L)	Weight (Kg)
2-220-0020	500 mm.	0.58
2-220-0021	650 mm.	0.60
2-220-0022	900 mm.	1.10
2-220-0024	1500 mm.	1.75
2-220-0025	4000 mm.	4.68
2-220-0026	6000 mm.	7.02

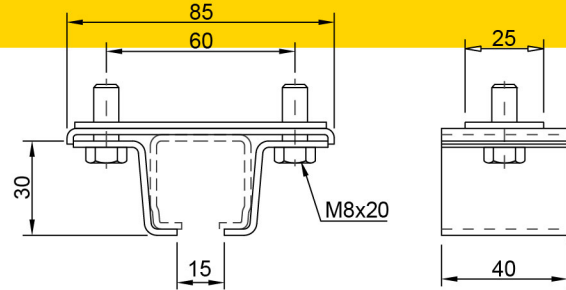
Material : Galvanized steel



## Track Support

Order No.	Max. load	Weight (Kg)
2-220-0002	16 kg.	0.23

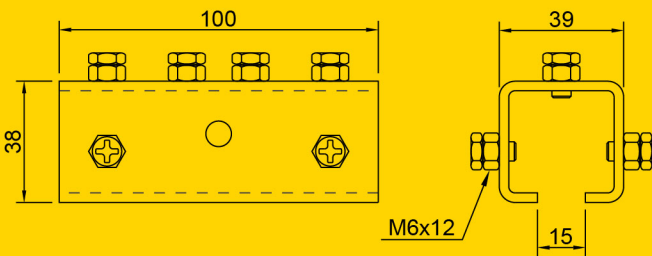
Material : Galvanized steel



## Track Coupler

Order No.	Max. load	Weight (Kg)
2-220-0003	16 kg.	0.28

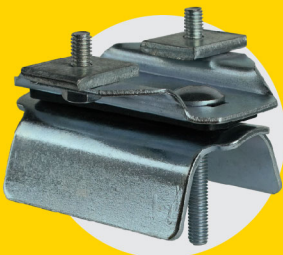
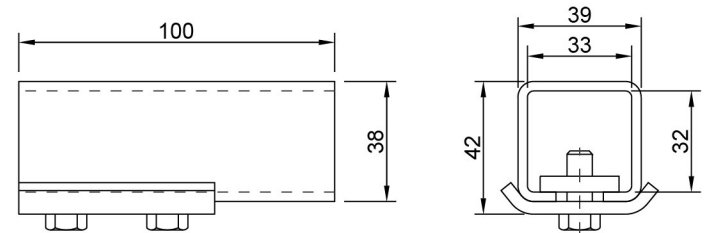
Material : Galvanized steel



## Welded Rail Support

Order No.	Max. load	Weight (Kg)
2-220-00010	16 kg.	0.60

Material : Galvanized steel

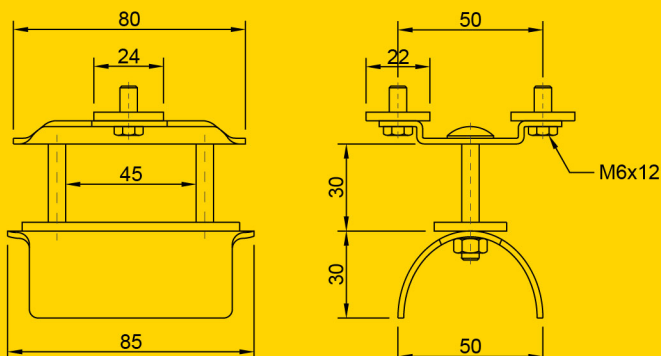


## End Cable Clip

Order No.	Max. load	Weight (Kg)
2-220-0008	16 kg.	0.27

Material : Galvanized Steel

Temperature range : 30°C up to +70°C

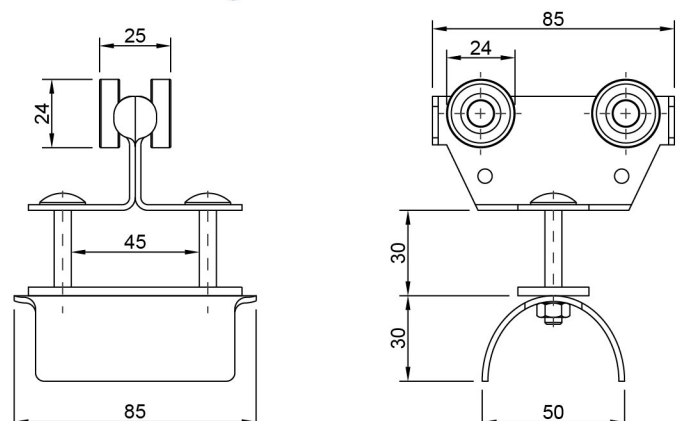


## Cable Trolley

Order No.	Max. load	Weight (Kg)
2-220-0005	16 kg.	0.44

Material : Galvanized Steel

Temperature range : 30°C up to +70°C

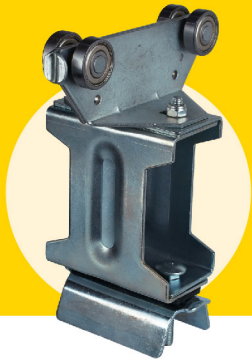


# "TITAN" C-track festoon and accessories

## Towing Trolley

Order No.	Max. load	Weight (Kg)
2-220-0004	16 kg.	0.82

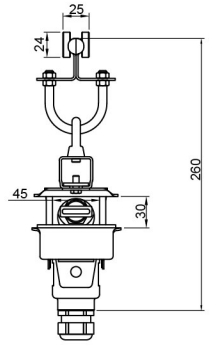
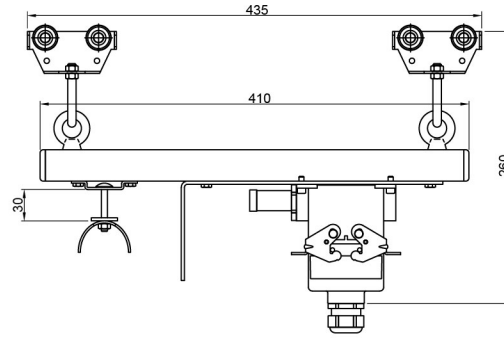
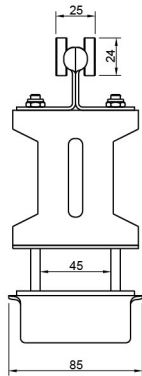
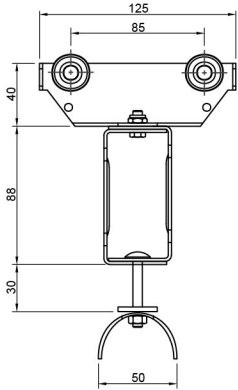
Material : Galvanized Steel  
Temperature range : 30°C up to +70°C



## Socket Mobile 16-24P

Order No.	Max. load	Type
2-220-0030	20 kg.	10 Pin
2-220-0031	20 kg.	16 Pin
2-220-0032	20 kg.	24 Pin

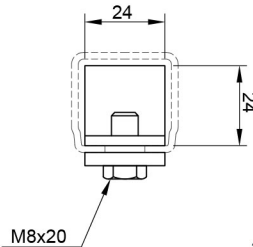
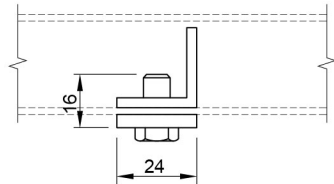
Material : Galvanized Steel  
Temperature range : 30°C up to +70°C  
Plug Connector : 500V/16A



## End Stop

Order No.	Max. load	Weight (Kg)
2-220-0006	20 kg.	0.03

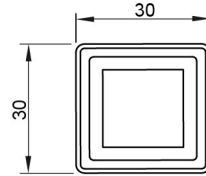
Material : Galvanized Steel  
Temperature range : 30°C up to +70°C



## End Cap

Order No.	Fixed length	Weight (Kg)
2-220-0007	20 kg.	0.005

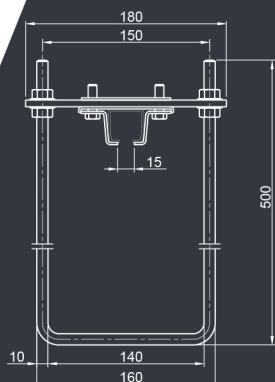
Material : Plastic



## Bar Cable Cross

Order No.	Max. load	Weight (Kg)
2-220-0015	16 kg.	0.4

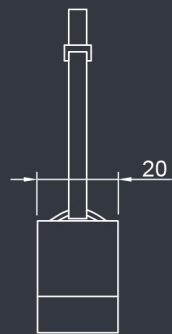
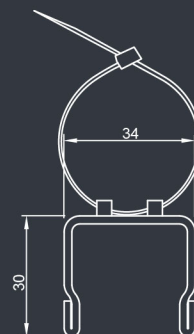
Material : Galvanized Steel



## Clips for Cable Attachment

Order No.	Type	Clamping range	Weight (Kg)
2-220-0016	CCA 001	Man. 45 mm.	0.04

Material : Galvanized Steel



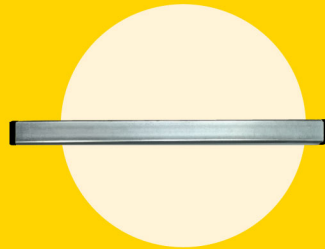
# "TITAN" C-track festoon and accessories



## Rectangular pipe Clamp

Order No.	Max. load	Weight (Kg)
2-220-0014	20 kg.	0.20

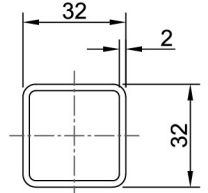
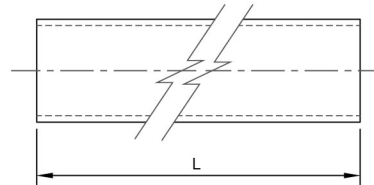
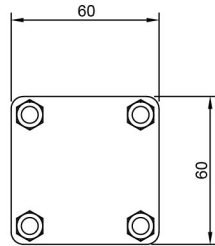
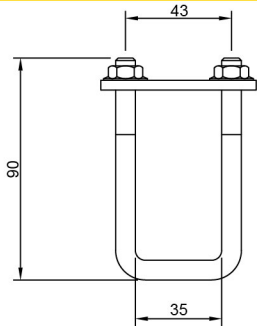
Material : Galvanized Steel



## Rectangular pipe

Order No.	Length (mm)	Weight (kg)
2-220-0030	250	0.4
2-220-0031	500	0.72
2-220-0032	750	1.20
2-220-0032	1000	1.45

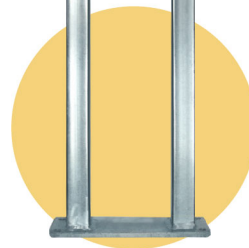
Material : Galvanized Steel



## Current Collector Towing Arm

Order No.	End Carriage	Dimension (mm)		Weight (kg)
		(A)	(B)	
3-230-0005	250-500	270	130	2.1
3-230-0006	130-200	200	100	2.0

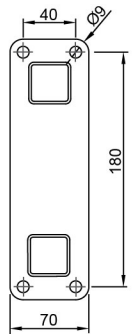
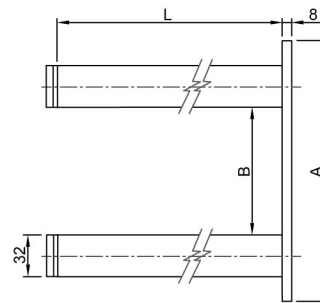
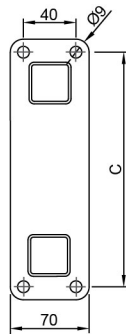
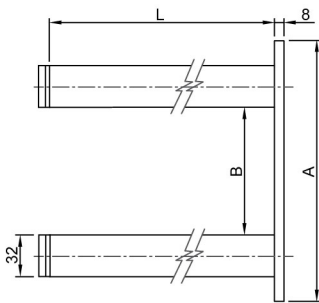
Material : galvanized steel  
 End Carriage Type : 130 - 200 L = 400 mm.  
 End Carriage Type : 250 - 320 L = 500 mm.  
 Dimension Type : 130 - 200 C = 180 mm.  
 Dimension Type : 250 - 500 C = 250 mm.



## Festoon Cable Towing arm

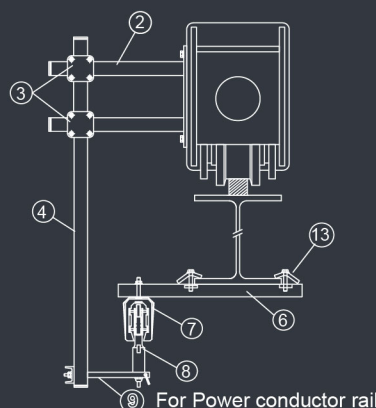
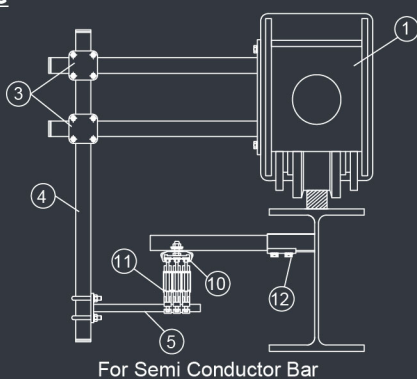
Order No.	Type Girder	Dimension (mm)		Weight (kg)
		(A)	(B)	
3-230-0007	Single	200	80	0.3
3-230-0008	Double	200	110	0.4

Material : galvanized steel  
 Type Girder : Single L = 150 mm.  
 Type Girder : Double L = 1250 mm.



## Detail Installation Collector Towing Arm

### Sample



- End carriage
- Current collector towing arm
- Rectangular pipe clamp
- Rectangular pipe
- Fix square bar
- Festening bracket
- PVC. Enclosed
- Simple of trolley with cable
- Carrier ( Mobilis )
- Simple of High tro reel
- Current Collector ( High tro reel )
- Welded rail support
- Camping claw

# "TITAN" Cable and systems

## CRANE CABLES (สายไฟต่างๆ สำหรับใช้กับเครนไฟฟ้า)



Flat Cables

No. Core x Cross-sec. mm <sup>2</sup>	
4x1.5 Sq.mm.	4x16 Sq.mm..
4x2.5 Sq.mm.	4x25 Sq.mm..
4x4 Sq.mm.	8x1.5 Sq.mm.
4x6 Sq.mm.	8x2.5 Sq.mm.
4x10 Sq.mm.	12x1.5 Sq.mm.

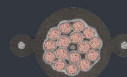
สายไฟแบน



Round Cables

No. Core x Cross-sec. mm <sup>2</sup>	
4x1.5 Sq.mm.	4x16 Sq.mm..
4x2.5 Sq.mm.	4x25 Sq.mm..
4x4 Sq.mm.	8x1.5 Sq.mm.
4x6 Sq.mm.	12x1.5 Sq.mm.
4x10 Sq.mm.	7x2.5 Sq.mm.

สายไฟกลม



Hoist Control Cables

No. Core x Cross-sec. mm <sup>2</sup>	
8x1.5 Sq.mm.	16x1.5 Sq.mm.
12x1.5 Sq.mm.	20x1.5 Sq.mm.

สายไฟสวิตช์คอนโทรล



## PENDANT CABLES

Part no.	No. of cores x cross-section n x mm <sup>2</sup>	Outer-Ø ca. mm ± 10%	Copper weight kg/km	Cable weight approx. kg/km	Max. tensile load N	AWG no. *)
03160D7A061M10	6G1	12	57,6	105	1000	18
03160D7A121M10	12G1	14,9	115,2	210	1000	18
03160D7A181M10	18G1	17,1	172,8	312	1000	18
03160D7A251M10	25G1	21	240	432	1000	18
03160D7A301M10	30G1	21,9	288	520	1000	18
03160D7A081M15	8G1,5	14,9	115	300	1000	16
03160D7A121M15	12G1,5	16,5	172,8	350	1000	16
03160D7A151M15	15G1,5	18,6	230	390	1000	16
03160D7A181M15	18G1,5	19,3	259	468	1000	16
03160D7A201M15	20G1,5	21	288	520	1000	16
03160D7A241M15	24G1,5	22,6	346	624	1000	16
03160D7A301M15	30G1,5	24	432	700	1000	16

## FESTOON CABLES

Other construction and sizes are available on request

Part no.	No. of cores x cross-section n x mm <sup>2</sup>	Outer-Ø ca. mm ± 10%	Copper weight kg/km	Cable weight approx. kg/km	AWG no. *)	Part no.	No. of cores x cross-section n x mm <sup>2</sup>	Outer-Ø ca. mm ± 10%	Copper weight kg/km	Cable weight approx. kg/km	AWG no. *)
03050E72041M15	4G1,5	4,5x13,7	58	133	16	03050E70064M25	6x(4G2,5)	15x63	576	950	14
03050E72051M15	5G1,5	4,5x17,9	72	169	16	03050E70241M25	24G2,5	5,8x120	576	950	14
03050E70071M15	7G1,5	4,5x23,5	101	235	16	03050E72041M40	4G4	7x21,8	154	344	12
03050E70081M15	8G1,5	4,5x26,8	115	265	16	03050E72051M40	5G4	7x27,4	192	428	12
03050E71080M15	8x1,5	5x29	115	300	16	03050E70071M40	7G4	7,9x36,6	269	590	12
03050E70091M15	9G1,5	5x32	130	330	16	03050E70121M40	12G4	6,8x57	460,8	880	12
03050E70101M15	10G1,5	4,5x33,5	144	332	16	03050E72041M60	4G6	8,2x24,8	230	424	10
03050E70121M15	12G1,5	4,5x38,9	173	421	16	03050E72051M60	5G6	8,2x31,8	288	530	10
03050E70161M15	16G1,5	4,5x51,5	230,4	555	16	03050E72071M60	7G6	8,2x42,6	403	760	10
03050E70181M15	18G1,5	5x58	259,2	620	16	03050E72041M61	4G10	10,0x29,6	384	710	8
03050E70241M15	24G1,5	5x80	346	859	16	03050E72041M62	4G16	11,2x34,4	614	1014	6
03050E72041M25	4G2,5	5,5x17	96	205	14	03050E72041M63	4G25	13,7x42,6	960	1365	4
03050E72051M25	5G2,5	5,5x21,5	120	256	14	03050E72041M64	4G35	15,4x47,6	1344	2100	2
03050E70071M25	7G2,5	5,5x30,3	168	344	14	03050E72041M65	4G50	18,2x57	1920	2940	1
03050E70081M25	8G2,5	5,5x31,9	192	389	14	03050E72041M66	4G70	20x64,2	2688	4090	2/0
03050E70121M25	12G2,5	5,8x47,1	288	580	14	03050E72041M67	4G95	20,5x72,5	3684	4550	3/0
03050E70161M25	16G2,5	5,8x55,1	384	674	14	03050E72051M40	5G4	6,9x26	192	390	12
03050E70181M25	18G2,5	5,8x74	432	900	14	03050E72051M60	5G6	7,6x29,5	288	530	10
						03050E72051M61	5G10	9,4x36,5	480	868	8
						03050E72051M62	5G16	13x46,6	768	1370	6
						03050E72051M63	5G25	15,5x55,5	1200	2000	4

Other construction and sizes are available on request



[www.titanservice.co.th](http://www.titanservice.co.th)

**Titan Service Co., Ltd.**

1/19 M.1, Phimpha, Bangpakong,  
Chachoengsao 24130, Thailand.

[www.titanservice.co.th](http://www.titanservice.co.th)

[info.titanservice@gmail.com](mailto:info.titanservice@gmail.com)

Sales Dep. Hotline : 08-1829-6281

Service Dep. Hotline : 06-3273-1222



[www.titanservice.co.th](http://www.titanservice.co.th)



Titan Service Map



@Line Titan service



Titan Service Channel



Titan Service Facebook