

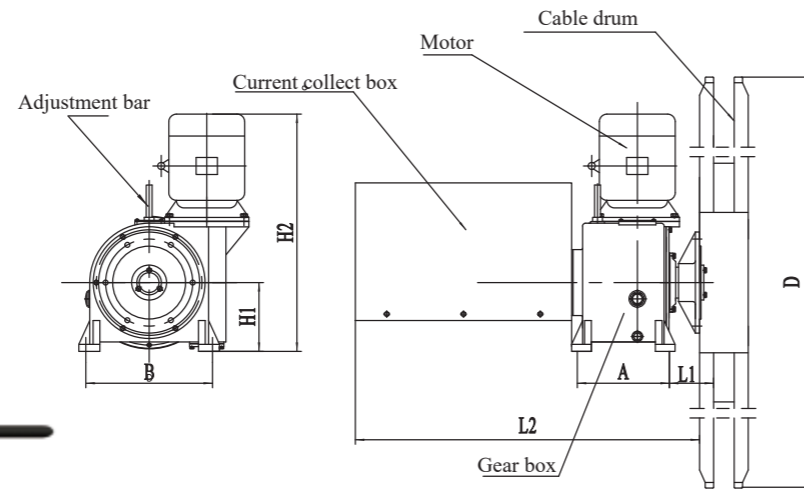
Motorized Cable Reeling System  
MCR Series



MCR Motorized Cable reel system are the perfect solution for managing long lengths of heavy cable in very demanding industrial applications. We can offer Optimal corrosion protection: Flanges and reel drum are manufactured from hot dip galvanized steel in tough environments.

Applications:

1. Ship-to-shore (STS) cranes
2. Rail mounted gantry (RMG) cranes
3. Shipbuilding cranes
4. Gantry cranes, Overhead cranes
5. Grabs or magnets, Transfer cars



ITEM	SIZE	A (mm)	B (mm)	H1 (mm)	H2 (mm)	L1 (mm)	L2 (mm)	n-Φ (mm)
MCR-10		198	214	145	508	66	515	4-Φ12
MCR-20		221	280	175	588	55	580	4-Φ14
MCR-60		290	406	240	746	61	647	4-Φ18
MCR-90		318	451	245	845	112	790	4-Φ18
MCR-110		380	514	285	911	128	930	4-Φ22
MCR-150		424	568	300	1050	128	980	4-Φ22

ITEM	MCR10	MCR20	MCR60	MCR90	MCR110	MCR150												
Winding torque (Nm)	100	250	580	750	1000	1250												
Cable Size	4×6	4×10	4×16	4×16	4×25	4×35	4×35	4×50	4×70	4×50	4×70	4×95	4×70	4×95	4×120	4×120	4×150	4×185
Cable Length	80	60	50	90	70	60	125	100	80	150	120	100	180	150	130	160	150	130
Winding speed (m/min)	automatic tracking with speed ≤50m/min																	
Power of motor (kw)	0.75	1.1	1.1	1.5	2.2	3	3	4	4	5.5	7.5	7.5						
Reduction ratio	56		63		71		65		63		71							
Max.Cable Weight (kg)	80		240		560		720		960		1200							
Motor Brand	ABB / SEW / SIEMENS																	
Electric accessories brand	Schneider																	
Electric cable	RVV-PUR or YFFB-PUR cable reel special cable																	

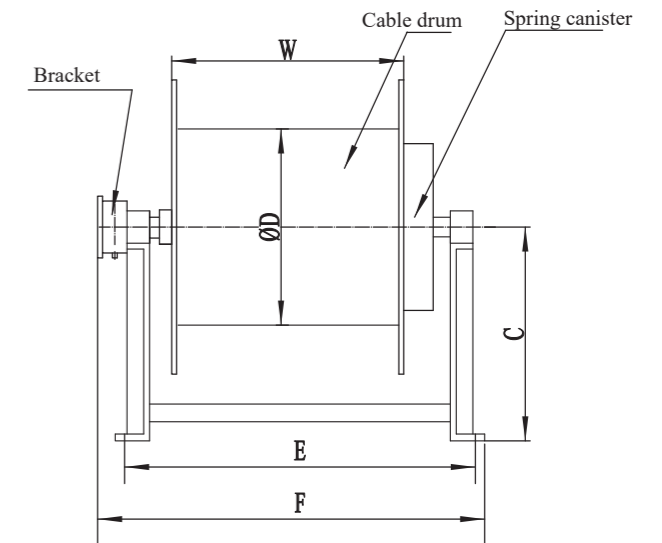
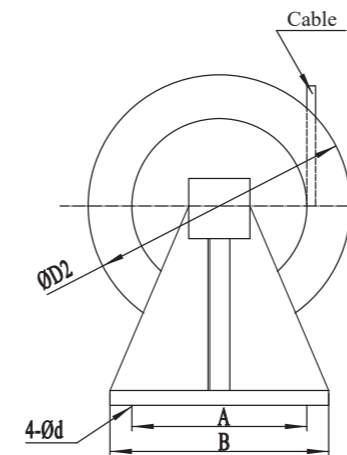
Spring Cable Reeling System  
SCR Series



SCR series spring cable reel system is the best-built compact industrial cable reel for mobile equipment cables. Rugged, steel frame construction and Precision-built main spring housed in a safety-sealed canister.

Applications:

1. Conveyor control cables,
2. Gantry cranes, Overhead Crane, Hoists, etc.
3. Automated material handling



Series		A (mm)	B (mm)	C (mm)	D (mm)	D2 (mm)	d (mm)	E (mm)	F (mm)	W (mm)	Weight (kg)
SCR-10	1	250	300	300	360	500	14	450	600	320	73
	2							485	650	350	78
SCR-15 SCR-20	1	300	360	400	500	700	15	440	600	250	95
	2							490	650	300	100
	3							560	720	250	115
	4							610	770	300	120
	5							720	880	300	150
SCR-25 SCR-30	1	400	460	450	600	800	18	525	675	300	120
	2							641	795		150
	3							751	905		180
	4							892	1045		212
	5	641	795	300	185						
	6	751	905		212						
	7	892	1045		240						
	8	1005	1160		268						