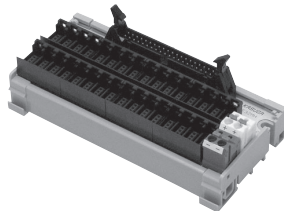


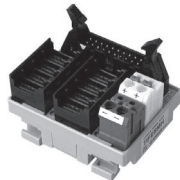
Type equipped with e-CON **TIFE Series**

Application	No. of pins	Type name	External dimensions (mm)			General mass (g)	Mounting connector	Applicable socket
			A	B	C			
e-CON								
Flat cable	32	TIFE 32 MH	112	55	32	90	HIF3BA-40PA-2.54DSA (71)	HIF3BA-40D-2.54R (71)
	32	TIFE 32 MHNR					HIF3BA-40PA-2.54DSA (71)	HIF3BA-40D-2.54R (71)
	16	TIFE 16 MH	60	55	32	55	HIF3BA-20PA-2.54DSA (71)	HIF3BA-20D-2.54R (71)
	16	TIFE 16 MH 201W					HIF3BA-40PA-2.54DSA (71)	HIF3BA-40D-2.54R (71)
	16	TIFE 16 MHNR 201W	100	55	32	80	HIF3BA-20PA-2.54DSA (71)	HIF3BA-20D-2.54R (71)
	16	TIFE 16 MH 102W					HIF3BA-40PA-2.54DSA (71)	HIF3BA-40D-2.54R (71)
	16	TIFE 16 MH 102W	80	55	32	83	HIF3BA-40PA-2.54DSA (71)	HIF3BA-40D-2.54R (71)
	16	TIFE 16 MH 102W					HIF3BA-10PA-2.54DSA (71)X2	HIF3BA-10D-2.54R (71)X2
	8	TIFE 8 MH	54	42	33	36	HIF3BA-20PA-2.54DSA (71)	HIF3BA-20D-2.54R (71)
	8	TIFE 8 MHS					HIF3BA-10PA-2.54DSA (71)	HIF3BA-10D-2.54R (71)
40	TIFE 40 MH 202W	80	55	32	65	HIF3BA-40PA-2.54DSA (71)	HIF3BA-40D-2.54R (71)	
40	TIFE 40 MH 104W					HIF3BA-20PA-2.54DSA (71)X2	HIF3BA-20D-2.54R (71)X2	
40	TIFE 40 MH 104W	80	55	32	73	HIF3BA-40PA-2.54DSA (71)	HIF3BA-40D-2.54R (71)	
40	TIFE 40 MH 104W					HIF3BA-10PA-2.54DSA (71)X4	HIF3BA-10D-2.54R (71)X4	

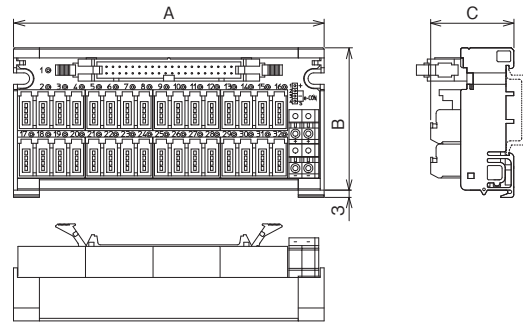
Note: e-CON header : Made in AMP 0-1473567-4



TIFE32MH



TIFE8MH



Crimp contact insertion type **TIFY Series**

Application	No. of pins	Type name	External dimensions (mm)			General mass (g)	Mounting connector	Applicable socket			
			A	B	C						
Flat cable	20	TIFY 520 MH	64	56	42	100	HIF3BA-20PA-2.54DSA (71)	HF3BA-20D-2.54R (71)			
	34	TIFY 534 MH					HIF3BA-34PA-2.54DSA (71)	HF3BA-34D-2.54R (71)			
	40	TIFY 540 MH					105	97	185	HIF3BA-40PA-2.54DSA (71)	HF3BA-40D-2.54R (71)
	50	TIFY 550 MH					130	122	230	HIF3BA-50PA-2.54DSA (71)	HF3BA-50D-2.54R (71)
I/O for board	40	TIFY 540 F360	105	97	180	FCN-364P040-AU	FCN-367J040-AU/FW, FCN-367J040-AU/MW				

Application	No. of pins	Type name	External dimensions (mm)			General mass (g)
			A	B	C	
Common unit	Upper level positive total, lower level negative total		55	59	42	93
	Both upper and lower levels positive total					
	Both upper and lower levels negative total					

Line-up
Terminal Blocks
Clutch Lock
Terminal Blocks
PLC Interface
Terminal Blocks
Rail Type
Terminal Blocks
Assembly
Terminal Blocks
Special Purpose
Terminal Blocks
Terminal
Block Accessories