

SPOTT

Product Image

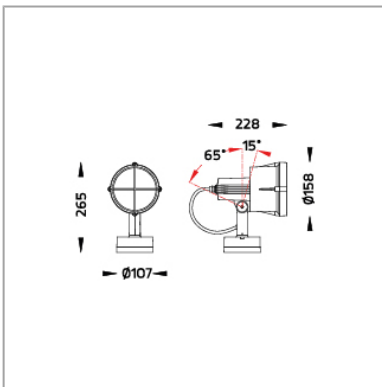


Project Data

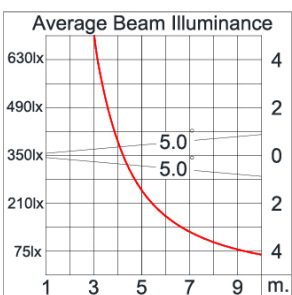
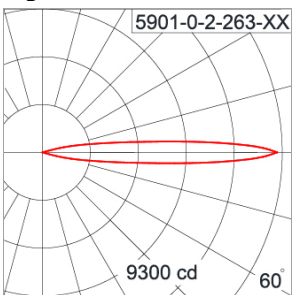
Project: _____
 Location: _____
 Date: _____
 Remarks: _____
 Approve by: _____

Application Type: SPOTLIGHT
 Product Name: SPOTT
 Ordering Code: 5901-0-2-263-XX
 Lamp Type: PAR38
 Socket: E27
 Watt: 100 W
 Lumen: 3100 cd
 Beam: 30°
 Kelvin: 2900 K

Dimension



Light Distribution



*Due to the constancy of product development,
 we reserver the right to alter all specification
 without prior notice.

SPOTT

Specification

IEC Standard	IEC 60598-1 General Requirement IEC 60598-2-1 Fixed Luminaires
Protection	IP65 Class I
IK Rating	Protection against mechanical impact IK10 on body and optical part.
Luminaires Body Housing	High-pressure Die Cast Aluminium alloy body and components.
Coating Process	Nano Ceramic surface conversion, resistant to corrosive environment. Luminaire primarily coated with epoxy resin and top coated with UV stabilized polyester powder and cured in digital temperature controlled chamber at 200°C.
Diffuser	Impact resistant safety tempered glass cover. Able to withstand the temperature up to 250°C.
Adjustable Optic	Adjustable aiming unit through graduated scale.
Gasket	Post-cured treated silicone gasket. Temperature and weather resistant. Working temperature -40°C to +200°C.
External screws	External screws are in stainless steel with protection grease
Cable Entry	Cable entry protected by weather proof grommet. To be used with HO5RN-F/ HO7RN-F cable with 7-10mm. diameter
Lamp Holder	E27 lampholder in ceramic body from Vossloh Schwabe or equivalents. VDE/ ENEC approved.
Internal wire	Tinned copper conductor with silicone insulated internal wire. IMQ approved. Working temperature -40°C to +180°C
Terminal Block/ Connector	Terminal block in GFR PA6.6 for cable with cross section up to 2.5 sqmm. VDE approved. Class1 luminaire provided with the earth connection.
Caution	Installation work has to be carried on according to the enclosed installation manual.
Color	Black (replace the last 2 digits of ordering code with 01) Graphite (replace the last 2 digits of ordering code with 02) Dark Gray (replace the last 2 digits of ordering code with 03) Aluminium Silver (replace the last 2 digits of ordering code with 04) White (replace the last 2 digits of ordering code with 06)

SPOTT

Accessories



Ordering Code: 9-2000-00
Glass-fiber reinforced
polymer earth spike.



Ordering Code: 9-2001-00
Tree Strap (clamping range
Ø40-300mm.)