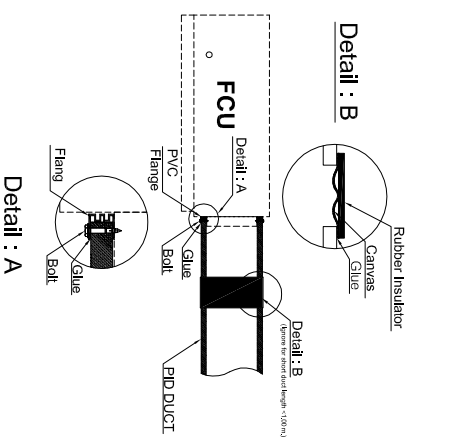
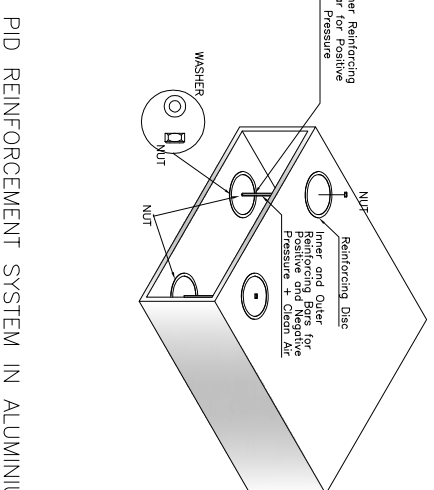
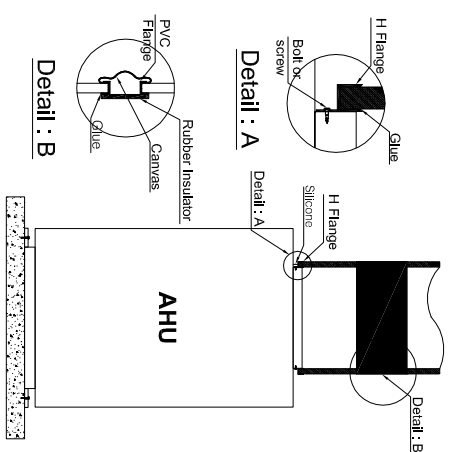


FCU CONNECTION (More than one Air terminal)

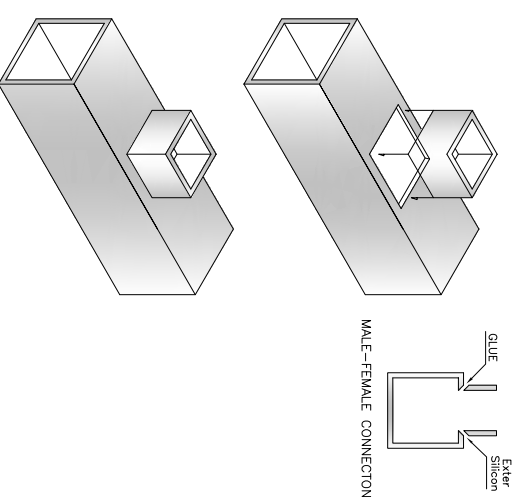


AHU CONNECTION

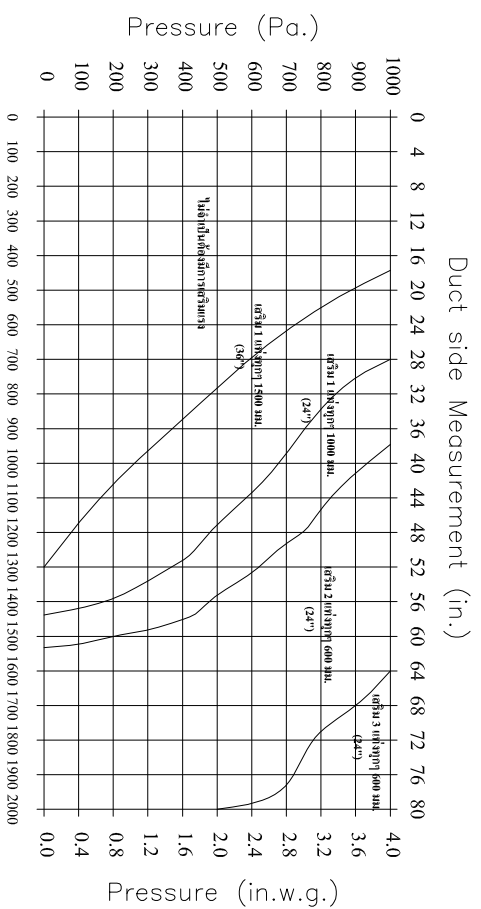
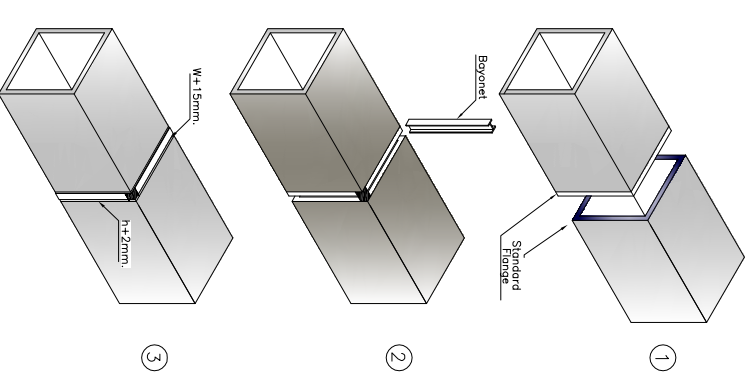


PID REINFORCEMENT SYSTEM IN ALUMINIUM

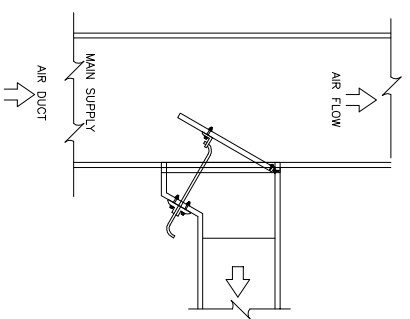
SMALL TAKEOFF



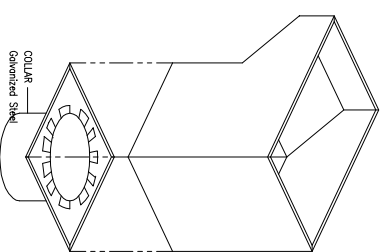
PVC FLANGE & BAYONET CONNECTION FOR PID DUCT



REINFORCEMENT CHART

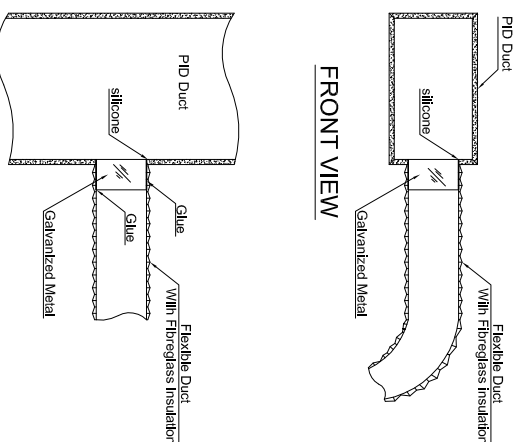


BRANCH TAKE-OFF



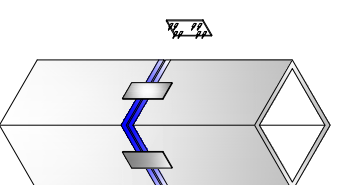
NOTE.. PIDuct Panel faced both side by Aluminum foil 80 micron.

TYPICAL INSTALLATION

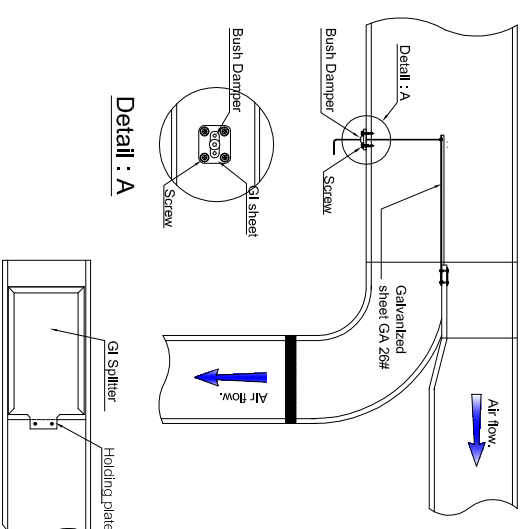


FRONT VIEW

TOP VIEW Flexible Duct Connection



TIGER CONNECTOR APPLICATION FOR PID DUCT LESS THAN 600 mm.(Width or High)



SPLITTER DAMPER

4000 mm. Segment	4000 mm. (13 ft) max	N/A
2400 mm. Segment	2000 mm. (6 ft) max	1500 mm. (4 ft) max
750 mm. Segment	1160 mm. (45)	1500 mm. (60)

SUPPORT & HANGER

