



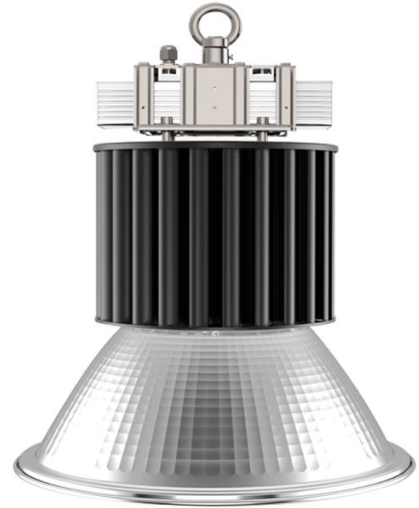
## LED HIGHBAY 100W ZENON

### APPLICATION/DESCRIPTION

- \* NEW DESIGN OR REPLACE OLD LAMP TO SAVING ENERGY AND LONG DURATION TIMES
- \* WITH MANY COLOR TO MAKE GOOD ATMOSPHERE
- \* HAVE WHITE OR MULTI-LIGHT THAT APPROPRIATE FOR SHOWCASES, DISPLAY WINDOWS, MODERN SHOP, ETC

### SPECIFICATION

BODY MATERIAL	: ALUMINUM
INPUT VOLTAGE	: 85-305 VAC ,50 Hz.
LED CHIP	: EVERLIGHT / SAMSUNG
DRIVER	: MEANWELL ELG
POWER	: 100W
LUMINOUS FLUX	: 13000lm
EFFICACY	: 130lm/w
COLOR RENDERING INDEX	: 80
LED COLOR TEMPERATURE	: 6500K
VIEW ANGLE	: 25°,60°,100°
THDi	: <15%
POWER FACTOR	: >0.95
WORKING TEMPERATURE	: -10-50°C
LIGHTING SOURCE LIFE	: >50,000Hrs
IP PROTECTION RATING	: IP65



### STANDARD

TIS. 1955-2551 LIGHTING AND SIMILAR EQUIPMENT:

RADIO DISTURBANCE LIMITS

ISO 9001 CERTIFIED FOR QUALITY CONTROL GUARANTEE

RoHS

MODEL	LAMP		DIMENSION (mm.)			WEIGH	REMARK
	WATT	TYPE	W	L	H	Kg.	
XZ-HBZ100	100	SMD LED	345	345	380	3.5	



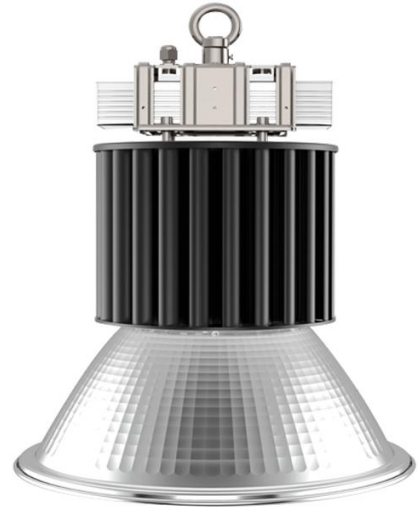
## LED HIGHBAY 150W ZENON

### APPLICATION/DESCRIPTION

- \* NEW DESIGN OR REPLACE OLD LAMP TO SAVING ENERGY AND LONG DURATION TIMES
- \* WITH MANY COLOR TO MAKE GOOD ATMOSPHERE
- \* HAVE WHITE OR MULTI-LIGHT THAT APPROPRIATE FOR SHOWCASES, DISPLAY WINDOWS, MODERN SHOP, ETC

### SPECIFICATION

BODY MATERIAL	: ALUMINUM DIE CAST
INPUT VOLTAGE	: 85-305 VAC ,50 Hz.
LED CHIP	: EVERLIGHT
DRIVER	: MEANWELL ELG
POWER	: 150W
LUMINOUS FLUX	: 19500lm
EFFICACY	: 130lm/w
COLOR RENDERING INDEX	: 80
LED COLOR TEMPERATURE	: 6500K
VIEW ANGLE	: 25°,60°,100°
THDi	: <15%
POWER FACTOR	: >0.95
WORKING TEMPERATURE	: -10-50°C
LIGHTING SOURCE LIFE	: >50,000Hrs
IP PROTECTION RATING	: IP65



### STANDARD

TIS. 1955-2551 LIGHTING AND SIMILAR EQUIPMENT:

RADIO DISTURBANCE LIMITS

ISO 9001 CERTIFIED FOR QUALITY CONTROL GUARANTEE

RoHS

MODEL	LAMP		DIMENSION (mm.)			WEIGH	REMARK
	WATT	TYPE	W	L	H	Kg.	
XZ-HBZ150	150	SMD LED	270	270	360	3.5	



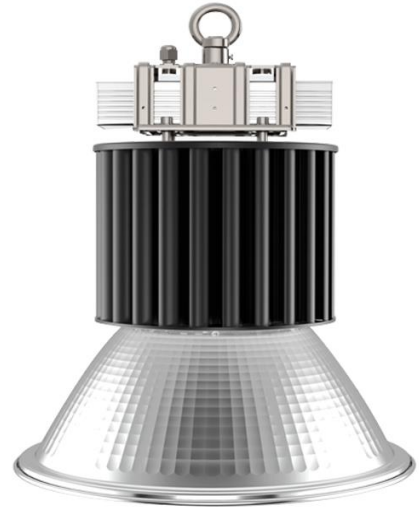
## LED HIGHBAY 200W ZENON

### APPLICATION/DESCRIPTION

- \* NEW DESIGN OR REPLACE OLD LAMP TO SAVING ENERGY AND LONG DURATION TIMES
- \* WITH MANY COLOR TO MAKE GOOD ATMOSPHERE
- \* HAVE WHITE OR MULTI-LIGHT THAT APPROPRIATE FOR SHOWCASES, DISPLAY WINDOWS, MODERN SHOP, ETC

### SPECIFICATION

BODY MATERIAL	: ALUMINUM DIE CAST
INPUT VOLTAGE	: 85-305 VAC ,50 Hz.
LED CHIP	: EVERLIGHT
DRIVER	: MEANWELL ELG
POWER	: 200W
LUMINOUS FLUX	: 25000lm
EFFICACY	: 130lm/w
COLOR RENDERING INDEX	: 80
LED COLOR TEMPERATURE	: 6500K
VIEW ANGLE	: 25°,60°,100°
THDi	: <15%
POWER FACTOR	: >0.95
WORKING TEMPERATURE	: -10-50°C
LIGHTING SOURCE LIFE	: >50,000Hrs
IP PROTECTION RATING	: IP65



### STANDARD

TIS. 1955-2551 LIGHTING AND SIMILAR EQUIPMENT:

RADIO DISTURBANCE LIMITS

ISO 9001 CERTIFIED FOR QUALITY CONTROL GUARANTEE

RoHS

MODEL	LAMP		DIMENSION (mm.)			WEIGH	REMARK
	WATT	TYPE	W	L	H	Kg.	
XZ-HBZ200	200	SMD LED	360	360	330	5	