

### APPLICATION/DESCRIPTION

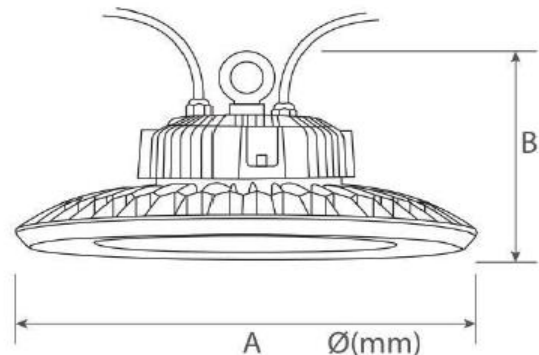
- \* NEW DESIGN OR REPLACE OLD LAMP TO SAVING ENERGY AND LONG DURATION TIMES
- \* WITH MANY COLOR TO MAKE GOOD ATMOSPHERE
- \* HAVE WHITE OR MULTI-LIGHT THAT APPROPRIATE FOR SHOWCASES, DISPLAY WINDOWS, MODERN SHOP, ETC

### SPECIFICATION

BODY MATERIAL	: ALUMINUM DIE CAST
INPUT VOLTAGE	: 85-305 VAC ,50 Hz.
LED CHIP	: SANAN / SAMSUNG / EVERLIGHT
DRIVER	: MEANWELL
POWER	: 70W
LUMINOUS FLUX	: 12600lm
EFFICACY	: 180lm/w
COLOR RENDERING INDEX	: 70
LED COLOR TEMPERATURE	: 6500K
VIEW ANGLE	: 60°,90°,120°
THDi	: <15%
POWER FACTOR	: >0.95
WORKING TEMPERATURE	: -10-50°C
LIGHTING SOURCE LIFE	: >50,000Hrs
IP PROTECTION RATING	: IP65



	70W	110W	150W
A:	235	280	340
B:	164	168	169



### STANDARD

TIS. 1955-2551 LIGHTING AND SIMILAR EQUIPMENT:  
 RADIO DISTURBANCE LIMITS  
 ISO 9001 CERTIFIED FOR QUALITY CONTROL GUARANTEE  
 RoHS

MODEL	LAMP		DIMENSION (mm.)			WEIGH	REMARK
	WATT	TYPE	W	L	H	Kg.	
XZ-HBVY070	70	SMD LED	235	235	164	2.3	

### APPLICATION/DESCRIPTION

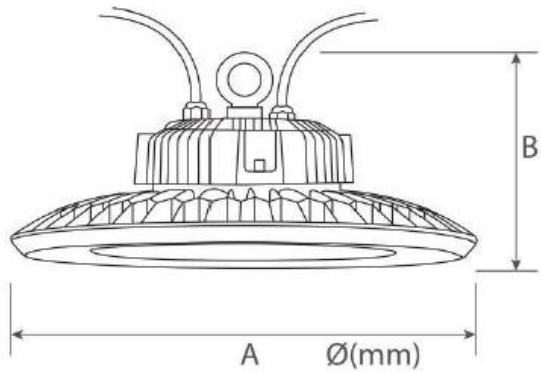
- \* NEW DESIGN OR REPLACE OLD LAMP TO SAVING ENERGY AND LONG DURATION TIMES
- \* WITH MANY COLOR TO MAKE GOOD ATMOSPHERE
- \* HAVE WHITE OR MULTI-LIGHT THAT APPROPRIATE FOR SHOWCASES, DISPLAY WINDOWS, MODERN SHOP, ETC

### SPECIFICATION

BODY MATERIAL	: ALUMINUM DIE CAST
INPUT VOLTAGE	: 85-305 VAC ,50 Hz.
LED CHIP	: SANAN / SAMSUNG / EVERLIGHT
DRIVER	: MEANWELL
POWER	: 110W
LUMINOUS FLUX	: 19800lm
EFFICACY	: 180lm/w
COLOR RENDERING INDEX	: 70
LED COLOR TEMPERATURE	: 6500K
VIEW ANGLE	: 60°,90°,120°
THDi	: <15%
POWER FACTOR	: >0.95
WORKING TEMPERATURE	: -10-50°C
LIGHTING SOURCE LIFE	: >50,000Hrs
IP PROTECTION RATING	: IP65



	70W	110W	150W
A:	235	280	340
B:	164	168	169



### STANDARD

TIS. 1955-2551 LIGHTING AND SIMILAR EQUIPMENT:  
 RADIO DISTURBANCE LIMITS  
 ISO 9001 CERTIFIED FOR QUALITY CONTROL GUARANTEE  
 RoHS

MODEL	LAMP		DIMENSION (mm.)			WEIGH	REMARK
	WATT	TYPE	W	L	H	Kg.	
XZ-HBVY110	110	SMD LED	280	280	168	2.5	

### APPLICATION/DESCRIPTION

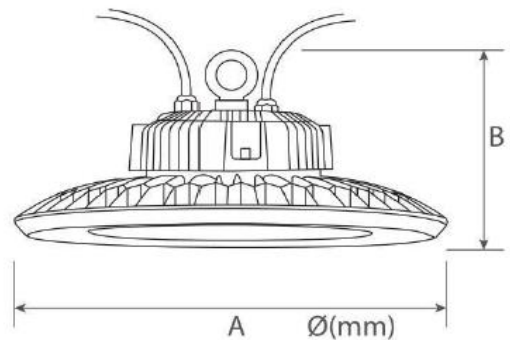
- \* NEW DESIGN OR REPLACE OLD LAMP TO SAVING ENERGY AND LONG DURATION TIMES
- \* WITH MANY COLOR TO MAKE GOOD ATMOSPHERE
- \* HAVE WHITE OR MULTI-LIGHT THAT APPROPRIATE FOR SHOWCASES, DISPLAY WINDOWS, MODERN SHOP, ETC

### SPECIFICATION

BODY MATERIAL	: ALUMINUM DIE CAST
INPUT VOLTAGE	: 85-305 VAC ,50 Hz.
LED CHIP	: SANAN / SAMSUNG / EVERLIGHT
DRIVER	: MEANWELL
POWER	: 150W
LUMINOUS FLUX	: 27000lm
EFFICACY	: 180lm/w
COLOR RENDERING INDEX	: 70
LED COLOR TEMPERATURE	: 6500K
VIEW ANGLE	: 60°,90°,120°
THDi	: <15%
POWER FACTOR	: >0.95
WORKING TEMPERATURE	: -10-50°C
LIGHTING SOURCE LIFE	: >50,000Hrs
IP PROTECTION RATING	: IP65



	70W	110W	150W
A:	235	280	340
B:	164	168	169



### STANDARD

TIS. 1955-2551 LIGHTING AND SIMILAR EQUIPMENT:  
 RADIO DISTURBANCE LIMITS  
 ISO 9001 CERTIFIED FOR QUALITY CONTROL GUARANTEE  
 RoHS

MODEL	LAMP		DIMENSION (mm.)			WEIGH Kg.	REMARK
	WATT	TYPE	W	L	H		
XZ-HBVY150	150	SMD LED	340	340	169	3.5	