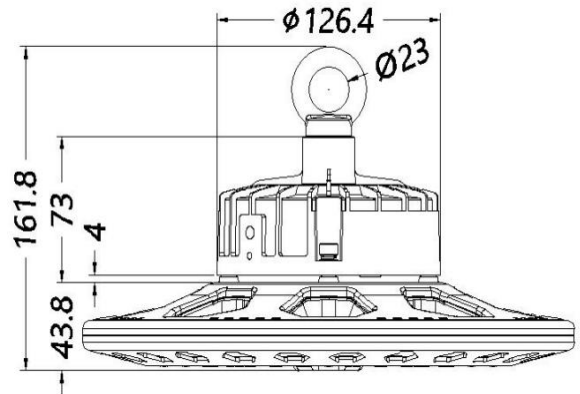


APPLICATION/DESCRIPTION

- * NEW DESIGN OR REPLACE OLD LAMP TO SAVING ENERGY AND LONG DURATION TIMES
- * WITH MANY COLOR TO MAKE GOOD ATMOSPHERE 3000K-6500K
- * HAVE WHITE OR MULTI-LIGHT THAT APPROPRIATE FOR FACTORY WHAREHOUSE STORE ETC.

SPECIFICATION

BODY MATERIAL	: ALUMINUM & PC/LENS
INPUT VOLTAGE	: 85-305 VAC ,50 Hz.
LED CHIP	: LUMILEDS
DRIVER	: MEANWELL
POWER	: 100W
LUMINOUS FLUX	: 13000lm
EFFICACY	: 130lm/w
COLOR RENDERING INDEX	: 70/80
LED COLOR TEMPERATURE	: 5700K
VIEW ANGLE	: 60°,90°,120°
THDi	: <15%
POWER FACTOR	: >0.95
WORKING TEMPERATURE	: -10-50°C
LIGHTING SOURCE LIFE	: >50,000Hrs
IP PROTECTION RATING	: IP65



STANDARD

TIS. 1955-2551 LIGHTING AND SIMILAR EQUIPMENT:
 RADIO DISTURBANCE LIMITS
 ISO 9001 CERTIFIED FOR QUALITY CONTROL GUARANTEE
 RoHS

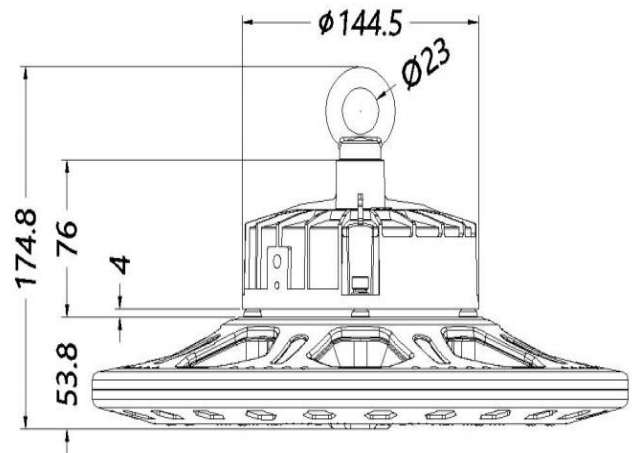
MODEL	LAMP		DIMENSION (mm.)			WEIGH	REMARK
	WATT	TYPE	W	L	H	Kg.	
XZ-UFO-100W-Q	100	SMD LED	278	278	162	3	

APPLICATION/DESCRIPTION

- * NEW DESIGN OR REPLACE OLD LAMP TO SAVING ENERGY AND LONG DURATION TIMES
- * WITH MANY COLOR TO MAKE GOOD ATMOSPHERE 3000K-6500K
- * HAVE WHITE OR MULTI-LIGHT THAT APPROPRIATE FOR FACTORY WHAREHOUSE STORE ETC.

SPECIFICATION

BODY MATERIAL	: ALUMINUM & PC/LENS
INPUT VOLTAGE	: 85-305 VAC ,50 Hz.
LED CHIP	: LUMILEDS
DRIVER	: MEANWELL
POWER	: 150W
LUMINOUS FLUX	: 19500lm
EFFICACY	: 130lm/w
COLOR RENDERING INDEX	: 70/80
LED COLOR TEMPERATURE	: 5700K
VIEW ANGLE	: 60°,90°,120°
THDi	: <15%
POWER FACTOR	: >0.95
WORKING TEMPERATURE	: -10-50°C
LIGHTING SOURCE LIFE	: >50,000Hrs
IP PROTECTION RATING	: IP65



STANDARD

TIS. 1955-2551 LIGHTING AND SIMILAR EQUIPMENT:

RADIO DISTURBANCE LIMITS

ISO 9001 CERTIFIED FOR QUALITY CONTROL GUARANTEE

RoHS

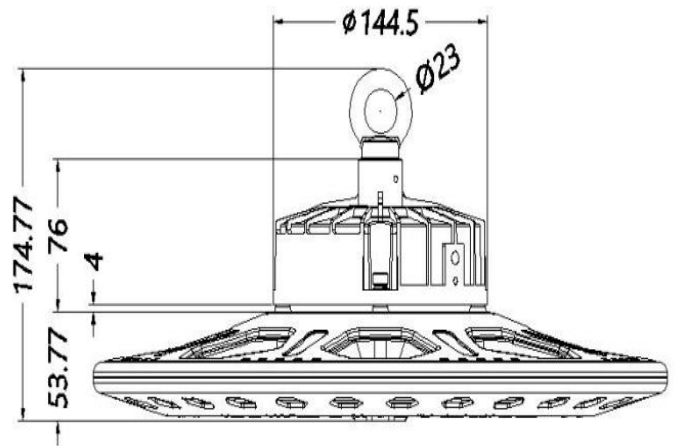
MODEL	LAMP		DIMENSION (mm.)			WEIGH	REMARK
	WATT	TYPE	W	L	H	Kg.	
XZ-UFO-150W-Q	150	SMD LED	328	328	175	4.5	

APPLICATION/DESCRIPTION

- * NEW DESIGN OR REPLACE OLD LAMP TO SAVING ENERGY AND LONG DURATION TIMES
- * WITH MANY COLOR TO MAKE GOOD ATMOSPHERE 3000K-6500K
- * HAVE WHITE OR MULTI-LIGHT THAT APPROPRIATE FOR FACTORY WHAREHOUSE STORE ETC.

SPECIFICATION

BODY MATERIAL	: ALUMINUM & PC/LENS
INPUT VOLTAGE	: 85-305 VAC ,50 Hz.
LED CHIP	: LUMILEDS
DRIVER	: MEANWELL
POWER	: 200W
LUMINOUS FLUX	: 26000lm
EFFICACY	: 130lm/w
COLOR RENDERING INDEX	: 70/80
LED COLOR TEMPERATURE	: 5700K
VIEW ANGLE	: 60°,90°,120°
THDi	: <15%
POWER FACTOR	: >0.95
WORKING TEMPERATURE	: -10-50°C
LIGHTING SOURCE LIFE	: >50,000Hrs
IP PROTECTION RATING	: IP65



STANDARD

TIS. 1955-2551 LIGHTING AND SIMILAR EQUIPMENT:
 RADIO DISTURBANCE LIMITS
 ISO 9001 CERTIFIED FOR QUALITY CONTROL GUARANTEE
 RoHS

MODEL	LAMP		DIMENSION (mm.)			WEIGH	REMARK
	WATT	TYPE	W	L	H	Kg.	
XZ-UFO-200W-Q	200	SMD LED	388	388	175	5	