



LED Highbay 100W OCEAN

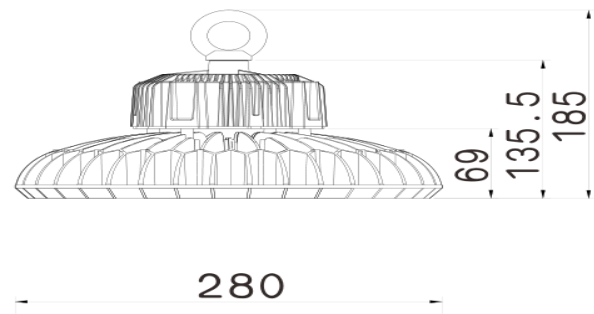
APPLICATION/DESCRIPTION

- * NEW DESIGN OR REPLACE OLD LAMP TO SAVING ENERGY AND LONG DURATION TIMES
- * WITH MANY COLOR TO MAKE GOOD ATMOSPHERE
- * HAVE WHITE OR MULTI-LIGHT THAT APPROPRIATE FOR SHOWCASES, DISPLAY WINDOWS, MODERN SHOP, ETC



SPECIFICATION

BODY MATERIAL	: ALUMINUM DIE CAST
INPUT VOLTAGE	: 85-305 VAC ,50 Hz.
LED CHIP	: LUMILEDS 3030
DRIVER	: CE / MEANWELL
POWER	: 100W
LUMINOUS FLUX	: 13000lm
EFFICACY	: 130lm/w
COLOR RENDERING INDEX	: 70
LED COLOR TEMPERATURE	: 6500K
VIEW ANGLE	: 60°,90°,120°
THDi	: <15%
POWER FACTOR	: >0.95
WORKING TEMPERATURE	: -10-50°C
LIGHTING SOURCE LIFE	: >50,000Hrs
IP PROTECTION RATING	: IP65



STANDARD

TIS. 1955-2551 LIGHTING AND SIMILAR EQUIPMENT:

RADIO DISTURBANCE LIMITS

ISO 9001 CERTIFIED FOR QUALITY CONTROL GUARANTEE

RoHS

MODEL	LAMP		DIMENSION (mm.)			WEIGH	REMARK
	WATT	TYPE	W	L	H	Kg.	
XZ-HB0100	100	SMD LED	280	280	185	3	



LED Highbay 150W OCEAN

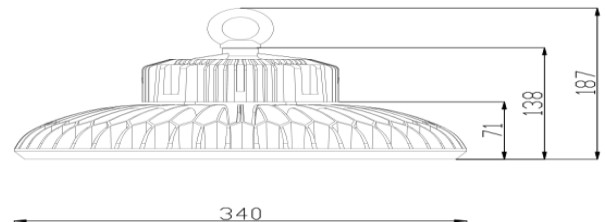
APPLICATION/DESCRIPTION

- * NEW DESIGN OR REPLACE OLD LAMP TO SAVING ENERGY AND LONG DURATION TIMES
- * WITH MANY COLOR TO MAKE GOOD ATMOSPHERE
- * HAVE WHITE OR MULTI-LIGHT THAT APPROPRIATE FOR SHOWCASES, DISPLAY WINDOWS, MODERN SHOP, ETC



SPECIFICATION

BODY MATERIAL	: ALUMINUM DIE CAST
INPUT VOLTAGE	: 85-305 VAC ,50 Hz.
LED CHIP	: LUMILEDS 3030
DRIVER	: CE / MEANWELL
POWER	: 150W
LUMINOUS FLUX	: 19500lm
EFFICACY	: 130lm/w
COLOR RENDERING INDEX	: 70
LED COLOR TEMPERATURE	: 6500K
VIEW ANGLE	: 60°,90°,120°
THDi	: <15%
POWER FACTOR	: >0.95
WORKING TEMPERATURE	: -10-50°C
LIGHTING SOURCE LIFE	: >50,000Hrs
IP PROTECTION RATING	: IP65



STANDARD

TIS. 1955-2551 LIGHTING AND SIMILAR EQUIPMENT:

RADIO DISTURBANCE LIMITS

ISO 9001 CERTIFIED FOR QUALITY CONTROL GUARANTEE

RoHS

MODEL	LAMP		DIMENSION (mm.)			WEIGH	REMARK
	WATT	TYPE	W	L	H	Kg.	
XZ-HB0150	150	SMD LED	340	340	187	5.5	



LED Highbay 200W OCEAN

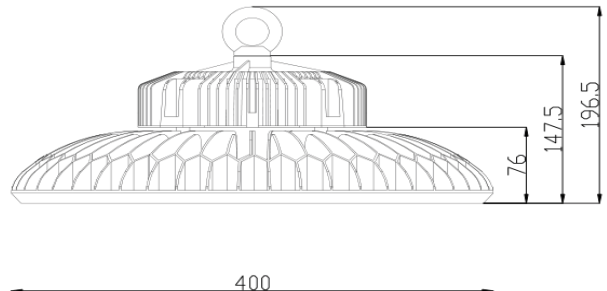
APPLICATION/DESCRIPTION

- * NEW DESIGN OR REPLACE OLD LAMP TO SAVING ENERGY AND LONG DURATION TIMES
- * WITH MANY COLOR TO MAKE GOOD ATMOSPHERE
- * HAVE WHITE OR MULTI-LIGHT THAT APPROPRIATE FOR SHOWCASES, DISPLAY WINDOWS, MODERN SHOP, ETC



SPECIFICATION

BODY MATERIAL	: ALUMINUM DIE CAST
INPUT VOLTAGE	: 85-305 VAC ,50 Hz.
LED CHIP	: LUMILEDS 3030
DRIVER	: CE / MEANWELL
POWER	: 200W
LUMINOUS FLUX	: 26000lm
EFFICACY	: 130lm/w
COLOR RENDERING INDEX	: 70
LED COLOR TEMPERATURE	: 6500K
VIEW ANGLE	: 60°,90°,120°
THDi	: <15%
POWER FACTOR	: >0.95
WORKING TEMPERATURE	: -10-50°C
LIGHTING SOURCE LIFE	: >50,000Hrs
IP PROTECTION RATING	: IP65



STANDARD

TIS. 1955-2551 LIGHTING AND SIMILAR EQUIPMENT:

RADIO DISTURBANCE LIMITS

ISO 9001 CERTIFIED FOR QUALITY CONTROL GUARANTEE

RoHS

MODEL	LAMP		DIMENSION (mm.)			WEIGH	REMARK
	WATT	TYPE	W	L	H	Kg.	
XZ-HB0200	200	SMD LED	400	400	197	6.5	