



FLOOD LIGHT JUDY 60W

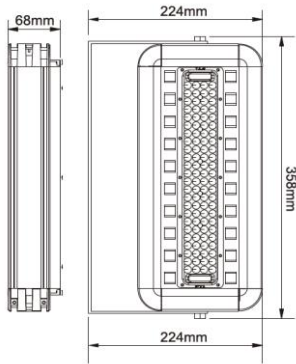
APPLICATION/DESCRIPTION

- * NEW DESIGN OR REPLACE OLD LAMP TO SAVING ENERGY AND LONG DURATION TIMES
- * WITH MANY COLOR TO MAKE GOOD ATMOSPHERE
- * HAVE WHITE OR MULTI-LIGHT THAT APPROPRIATE FOR SHOWCASES, DISPLAY WINDOWS, MODERN SHOP, ETC



SPECIFICATION

TUBE MATERIAL	: Aluminum + lens
INPUT VOLTAGE	: 85-305 VAC
LED CHIP	: SMD
POWER	: 60W
LUMINOUS FLUX	: 6000 lm
EFFICACY	: 100 lm/W
COLOR RENDERING INDEX	: >70
LED COLOR TEMPERATURE	: 2000-6500K
THDi	: <15%
POWER FACTOR	: >0.95
WORKING TEMPERATURE	: -10-50°C
LIGHTING SOURCE LIFE	: >50,000Hrs



STANDARD

TIS. 1955-2551 LIGHTING AND SIMILAR EQUIPMENT:
 RADIO DISTURBANCE LIMITS
 ISO 9001 CERTIFIED FOR QUALITY CONTROL GUARANTEE
 RoHS

MODEL	LAMP		HOLE CUT(mm)			WEIGH	REMARK
	WATT	TYPE	W	L	H	Kg	
XZ-FLJ060	60	SMD	68	224	358		



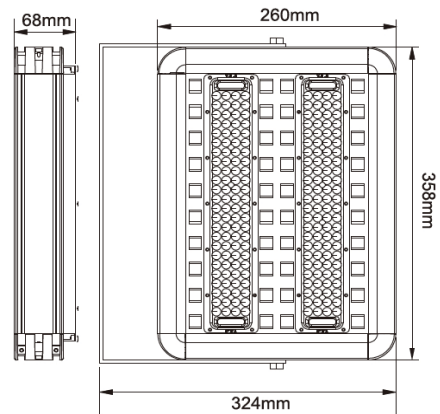
FLOOD LIGHT JUDY 120W

APPLICATION/DESCRIPTION

- * NEW DESIGN OR REPLACE OLD LAMP TO SAVING ENERGY AND LONG DURATION TIMES
- * WITH MANY COLOR TO MAKE GOOD ATMOSPHERE
- * HAVE WHITE OR MULTI-LIGHT THAT APPROPRIATE FOR SHOWCASES, DISPLAY WINDOWS, MODERN SHOP, ETC

SPECIFICATION

TUBE MATERIAL	: Aluminum + lens
INPUT VOLTAGE	: 85-305 VAC
LED CHIP	: SMD
POWER	: 120W
LUMINOUS FLUX	: 12000 lm
EFFICACY	: 100 lm/W
COLOR RENDERING INDEX	: >70
LED COLOR TEMPERATURE	: 2000-6500K
THDi	: <15%
POWER FACTOR	: >0.95
WORKING TEMPERATURE	: -10-50°C
LIGHTING SOURCE LIFE	: >50,000Hrs



STANDARD

TIS. 1955-2551 LIGHTING AND SIMILAR EQUIPMENT:
 RADIO DISTURBANCE LIMITS
 ISO 9001 CERTIFIED FOR QUALITY CONTROL GUARANTEE
 RoHS

MODEL	LAMP		HOLE CUT(mm)			WEIGH	REMARK
	WATT	TYPE	W	L	H	Kg	
XZ-FLJ0120	120	SMD	68	260	358		



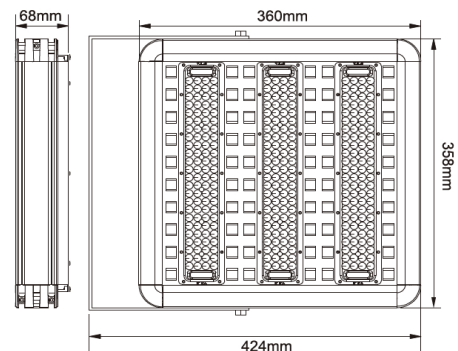
FLOOD LIGHT JUDY 180W

APPLICATION/DESCRIPTION

- * NEW DESIGN OR REPLACE OLD LAMP TO SAVING ENERGY AND LONG DURATION TIMES
- * WITH MANY COLOR TO MAKE GOOD ATMOSPHERE
- * HAVE WHITE OR MULTI-LIGHT THAT APPROPRIATE FOR SHOWCASES, DISPLAY WINDOWS, MODERN SHOP, ETC

SPECIFICATION

TUBE MATERIAL	: Aluminum + lens
INPUT VOLTAGE	: 85-305 VAC
LED CHIP	: SMD
POWER	: 180W
LUMINOUS FLUX	: 18000 lm
EFFICACY	: 100 lm/W
COLOR RENDERING INDEX	: >70
LED COLOR TEMPERATURE	: 2000-6500K
THDi	: <15%
POWER FACTOR	: >0.95
WORKING TEMPERATURE	: -10-50°C
LIGHTING SOURCE LIFE	: >50,000Hrs



STANDARD

TIS. 1955-2551 LIGHTING AND SIMILAR EQUIPMENT:
 RADIO DISTURBANCE LIMITS
 ISO 9001 CERTIFIED FOR QUALITY CONTROL GUARANTEE
 RoHS

MODEL	LAMP		HOLE CUT(mm)			WEIGH	REMARK
	WATT	TYPE	W	L	H	Kg	
XZ-FLJ0180	180	SMD	68	360	358		



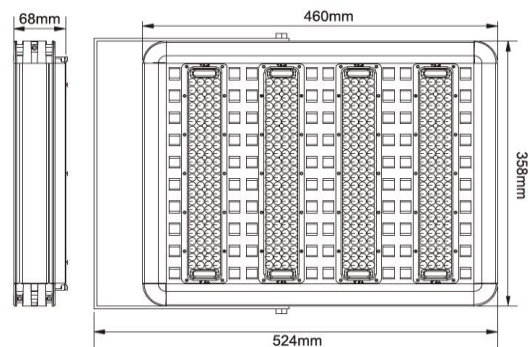
FLOOD LIGHT JUDY 240W

APPLICATION/DESCRIPTION

- * NEW DESIGN OR REPLACE OLD LAMP TO SAVING ENERGY AND LONG DURATION TIMES
- * WITH MANY COLOR TO MAKE GOOD ATMOSPHERE
- * HAVE WHITE OR MULTI-LIGHT THAT APPROPRIATE FOR SHOWCASES, DISPLAY WINDOWS, MODERN SHOP, ETC

SPECIFICATION

TUBE MATERIAL	: Aluminum + lens
INPUT VOLTAGE	: 85-305 VAC
LED CHIP	: SMD
POWER	: 240W
LUMINOUS FLUX	: 24000 lm
EFFICACY	: 100 lm/W
COLOR RENDERING INDEX	: >70
LED COLOR TEMPERATURE	: 2000-6500K
THDi	: <15%
POWER FACTOR	: >0.95
WORKING TEMPERATURE	: -10-50°C
LIGHTING SOURCE LIFE	: >50,000Hrs



STANDARD

TIS. 1955-2551 LIGHTING AND SIMILAR EQUIPMENT:
 RADIO DISTURBANCE LIMITS
 ISO 9001 CERTIFIED FOR QUALITY CONTROL GUARANTEE
 RoHS

MODEL	LAMP		HOLE CUT(mm)			WEIGH Kg	REMARK
	WATT	TYPE	W	L	H		
XZ-FLJ0240	240	SMD	68	460	358		



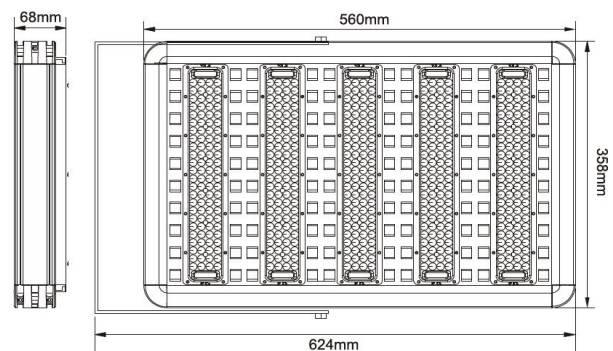
FLOOD LIGHT JUDY 300W

APPLICATION/DESCRIPTION

- * NEW DESIGN OR REPLACE OLD LAMP TO SAVING ENERGY AND LONG DURATION TIMES
- * WITH MANY COLOR TO MAKE GOOD ATMOSPHERE
- * HAVE WHITE OR MULTI-LIGHT THAT APPROPRIATE FOR SHOWCASES, DISPLAY WINDOWS, MODERN SHOP, ETC

SPECIFICATION

TUBE MATERIAL	: Aluminum + lens
INPUT VOLTAGE	: 85-305 VAC
LED CHIP	: SMD
POWER	: 300W
LUMINOUS FLUX	: 30000 lm
EFFICACY	: 100 lm/W
COLOR RENDERING INDEX	: >70
LED COLOR TEMPERATURE	: 2000-6500K
THDi	: <15%
POWER FACTOR	: >0.95
WORKING TEMPERATURE	: -10-50°C
LIGHTING SOURCE LIFE	: >50,000Hrs



STANDARD

TIS. 1955-2551 LIGHTING AND SIMILAR EQUIPMENT:
 RADIO DISTURBANCE LIMITS
 ISO 9001 CERTIFIED FOR QUALITY CONTROL GUARANTEE
 RoHS

MODEL	LAMP		HOLE CUT(mm)			WEIGH Kg	REMARK
	WATT	TYPE	W	L	H		
XZ-FLJ0300	300	SMD	68	560	358		



FLOOD LIGHT JUDY 400W

APPLICATION/DESCRIPTION

- * NEW DESIGN OR REPLACE OLD LAMP TO SAVING ENERGY AND LONG DURATION TIMES
- * WITH MANY COLOR TO MAKE GOOD ATMOSPHERE
- * HAVE WHITE OR MULTI-LIGHT THAT APPROPRIATE FOR SHOWCASES, DISPLAY WINDOWS, MODERN SHOP, ETC



SPECIFICATION

TUBE MATERIAL	: Aluminum + lens
INPUT VOLTAGE	: 85-305 VAC
LED CHIP	: SMD
POWER	: 400W
LUMINOUS FLUX	: 40000 lm
EFFICACY	: 100 lm/W
COLOR RENDERING INDEX	: >70
LED COLOR TEMPERATURE	: 2000-6500K
THDi	: <15%
POWER FACTOR	: >0.95
WORKING TEMPERATURE	: -10-50°C
LIGHTING SOURCE LIFE	: >50,000Hrs

STANDARD

TIS. 1955-2551 LIGHTING AND SIMILAR EQUIPMENT:
 RADIO DISTURBANCE LIMITS
 ISO 9001 CERTIFIED FOR QUALITY CONTROL GUARANTEE
 RoHS

MODEL	LAMP		HOLE CUT(mm)			WEIGH	REMARK
	WATT	TYPE	W	L	H	Kg	
XZ-FLJ0400	400	SMD	68		358		