

APPLICATION / DESCRIPTION

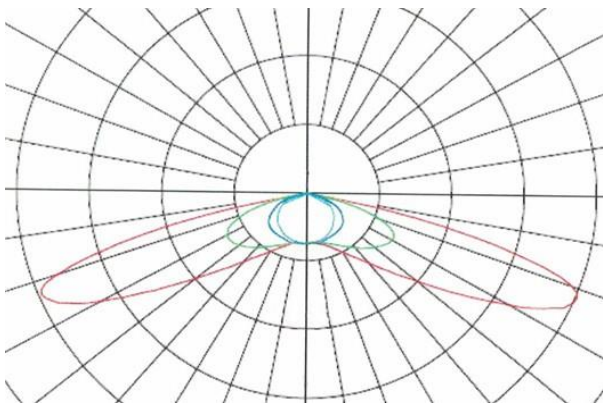
NEW DESIGN OR REPLACE OLD LAMP TO SAVING ENERGY AND LONG DURATION TIME

Specification

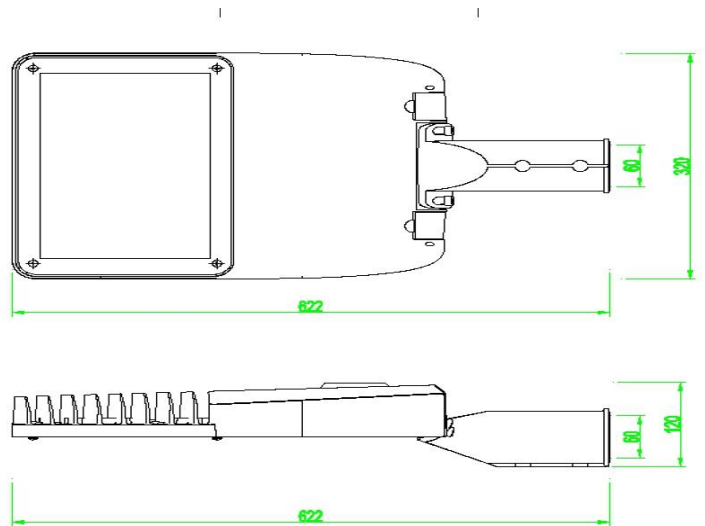
MODEL	XZ-ST
BODY MATERIAL	ALUMINUM + GLASS
INPUT VOLTAGE	85-305 VAC 50Hz
LED CHIP	SMD PHILIPS 5050
POWER	120W
LUMINOUS FLUX	16800 LUMEN
EFFICACY	140 Lm/W
COLOR RENDERING INDEX	>70 Ra
LED COLOR TEMPERATURE	2700K-6500K
THDi	15%
POWER FACTOR	>0.9
WORKING TEMPERATURE	-20 to 45°C
LIGHTING SOURCE LIFE	50000 Hrs.
SURGE PROTECTION	6KV
IP PROTECTION RATING	IP66
DRIVER	MEANWELL
WEIGHT	6.5 KG



Lighting distribution curve



Dimension of Product



LED Light source

PHILIPS

Driver

MW
MEAN WELL

